

Concealed single-lever mixer with integrated shower connection with shower set

IMO

ST 050 205 9979



- metal shower hose 1750mm with integrated anti-twist protection
 - slide bar
 - Pipe diameter 18 mm
 - hand shower: normal flow
 - spray head Ø 130 mm
 - max. hand shower flow 15 l/min
- Intrinsic protection against back flow.**
Fits MEM, CL.1, IMO, META, TARA, VAIA, LULU, LISSÉ, CYO

Fits: IMO, LULU, MADISON, MEM, TARA, CL.1, LISSÉ, VAIA, META, SERIES-VARIOUS, CYO

	Brushed Dark Platinum	ST 050 205 9979-99
	Chrome	ST 050 205 9979-00
	Brushed Platinum	ST 050 205 9979-06
	Platinum	ST 050 205 9979-08
	Dark Chrome	ST 050 205 9979-19
	Brushed Durabronze (23kt Gold)	ST 050 205 9979-28
	Matte Black	ST 050 205 9979-33
	Brushed Chrome	ST 050 205 9979-93

Individual components of this set

You need the following components for this set



1x 36 110 970-99



1x 28 017 979-99

www.divapor.com

Concealed single-lever mixer with integrated shower connection with shower set

IMO

ST 050 205 9979



- metal shower hose 1750mm with integrated anti-twist protection
- slide bar
- Pipe diameter 18 mm

This article does not include a hand shower!

Intrinsic protection against back flow.

Fits MEM, CL.1, IMO, META, TARA, VAIA, LULU, LISSÉ, CYO

This article does not include a hand shower!

Intrinsic protection against back flow.

Fits MEM, CL.1, IMO, META, TARA, VAIA, LULU, LISSÉ, CYO

Fits: IMO, LULU, MADISON, MEM, TARA, CL.1, LISSÉ, VAIA, META, SERIES-VARIOUS, CYO

	Brushed Dark Platinum	36 110 970-99
	Chrome	36 110 970-00
	Brushed Platinum	36 110 970-06
	Platinum	36 110 970-08
	Matte White	36 110 970-10
	Dark Chrome	36 110 970-19
	Brushed Durabronze (23kt Gold)	36 110 970-28
	Matte Black	36 110 970-33
	Brushed Champagne (22kt Gold)	36 110 970-46
	Champagne (22kt Gold)	36 110 970-47
	Brushed Chrome	36 110 970-93

Required miscellaneous



- Concealed wall mounting**
- min. recess depth 80 mm
 - max. recess depth 105 mm

35 050 970 90

Required miscellaneous



Hand shower

28 015 979-99
0010

Required miscellaneous



Hand shower

28 012 979-99
0010

Required miscellaneous



Hand shower

28 017 979-99

Required miscellaneous



Hand shower

28 016 979-99

Required miscellaneous



Hand shower

28 012 979-99

Required miscellaneous



Hand shower

28 017 979-99
0010

Required miscellaneous



Hand shower

28 016 979-99
0010

Required miscellaneous



Hand shower

28 018 979-99

Required miscellaneous



Hand shower

28 019 979-99

Required miscellaneous



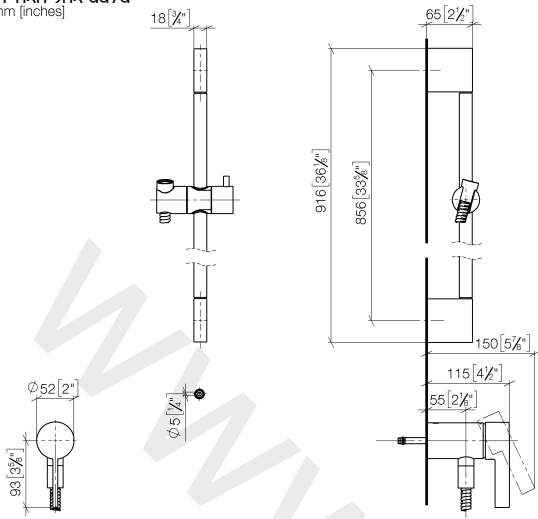
Hand shower

28 018 979-99
0010

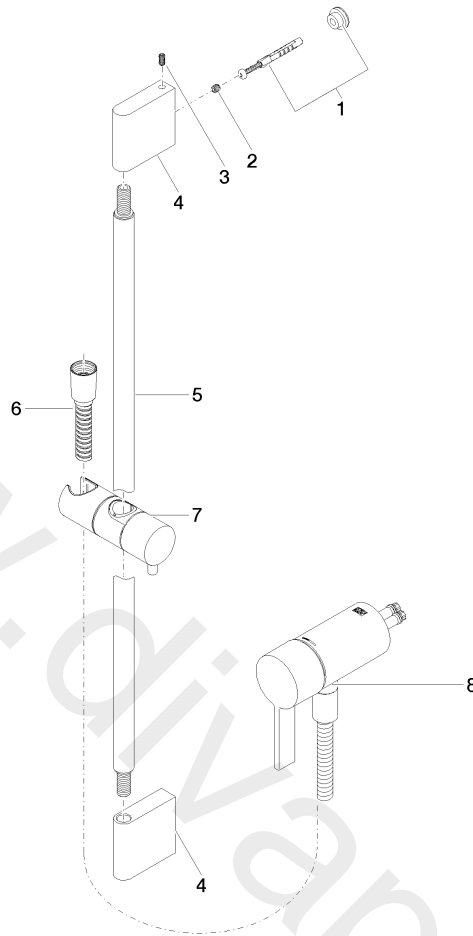
Concealed single-lever mixer with integrated shower connection with shower set

IMO

ST 050 205 0070
mm [inches]



ST 050 205 9979



Spare parts list

No.	Item Number	Name	Quantity used	Delivery time
1	05 17 20 726 02 90	fixing set	1	2
2	09 31 11 049 90	pin	2	2
3	04 31 11 113 00 90	pin	2	2
4	08 17 97 054-99	holder	2	30
5	90 28 22 597 00-99	holder	1	30
6	28 322 970-99	Metal shower hose 1/2" x 3/8" x 1750 mm	1	2
7	12 580 970-99	Slide unit	1	30
9	36 050 970-99	Concealed single-lever mixer with integrated shower connection	1	30

Concealed single-lever mixer with integrated shower connection with shower set

IMO

ST 050 205 9979



- normal flow
- with anti-scale system
- spray head Ø 130 mm
- 1/2" connection
- max. flow 15 l/min

Intrinsic protection against back flow.

Fits MEM, CL.1, IMO, META, TARA, VAIA, LULU, LISSÉ, CYO

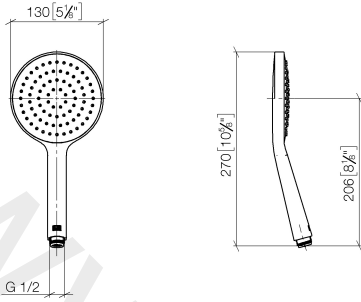
Fits: IMO, LULU, MADISON, MEM, TARA, CL.1, LISSÉ, VAIA, META, SERIES-VARIOUS, CYO

	Brushed Dark Platinum	28 017 979-99
	Chrome	28 017 979-00
	Brushed Platinum	28 017 979-06
	Platinum	28 017 979-08
	Matte White	28 017 979-10
	Dark Chrome	28 017 979-19
	Brushed Durabross (23kt Gold)	28 017 979-28
	Matte Black	28 017 979-33
	Brushed Champagne (22kt Gold)	28 017 979-46
	Champagne (22kt Gold)	28 017 979-47
	Brushed Chrome	28 017 979-93

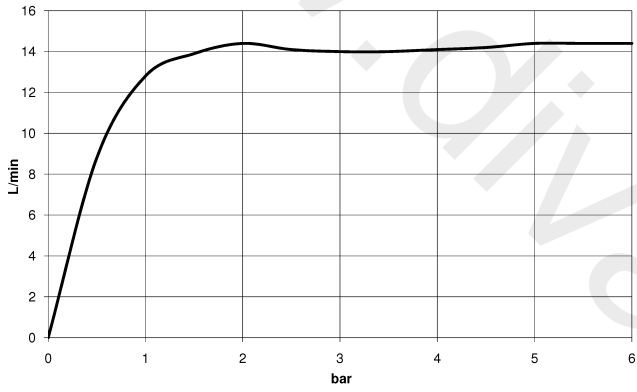
www.divapor.com

Concealed single-lever mixer with integrated shower connection with shower set

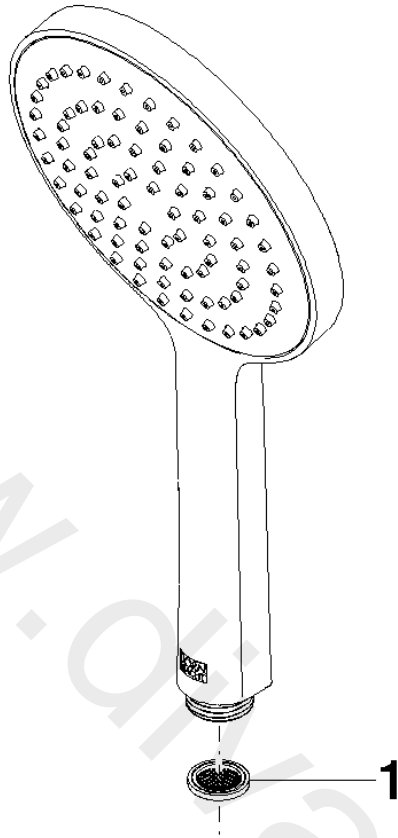
ST 050 205 0070
mm [inches]



Flow rate chart



ST 050 205 9979
Parts for other
finishes can be found
here: Chrome



Spare parts list

No.	Item Number	Name	Quantity used	Delivery time
1	09 23 01 039 90	sieve	1	2