

ST 060 112 8892

- cover plate Ø 124 mm
- rosette Ø 55 mm
- temperature control handle with safety limit stop at 38°C
- thermostat cartridge
- 2x head part with cut-to-length spindle and sleeve

**Fits TARA**

**Note: Important! The minimum recess depths make it necessary to have a wall of 2 x 6 crosspieces.**



	Matte White	ST 060 112 8892-10
	Chrome	ST 060 112 8892-00
	Brushed Platinum	ST 060 112 8892-06
	Platinum	ST 060 112 8892-08
	Brushed Durabronze (23kt Gold)	ST 060 112 8892-28
	Matte Black	ST 060 112 8892-33
	Brushed Champagne (22kt Gold)	ST 060 112 8892-46
	Champagne (22kt Gold)	ST 060 112 8892-47
	Brushed Chrome	ST 060 112 8892-93
	Brushed Dark Platinum	ST 060 112 8892-99

Individual components of this set

You need the following components for this set

2x 36 607 892-10

1x 36 503 979-10



www.divapor.com

ST 060 112 8892

- rosette Ø 55 mm
- head part with cut-to-length spindle and sleeve

**Codes & standards**

**Fits TARA**

Fits TARA



	Matte White	36 607 892-10
	Chrome	36 607 892-00
	Brushed Platinum	36 607 892-06
	Platinum	36 607 892-08
	Dark Chrome	36 607 892-19
	Brushed Durabronze (23kt Gold)	36 607 892-28
	Matte Black	36 607 892-33
	Brushed Champagne (22kt Gold)	36 607 892-46
	Champagne (22kt Gold)	36 607 892-47
	Brushed Chrome	36 607 892-93
	Brushed Dark Platinum	36 607 892-99

**Required miscellaneous**



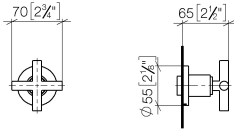
**Wall valve 1/2"**

- min. recess depth 85 mm
- max. recess depth 145 mm

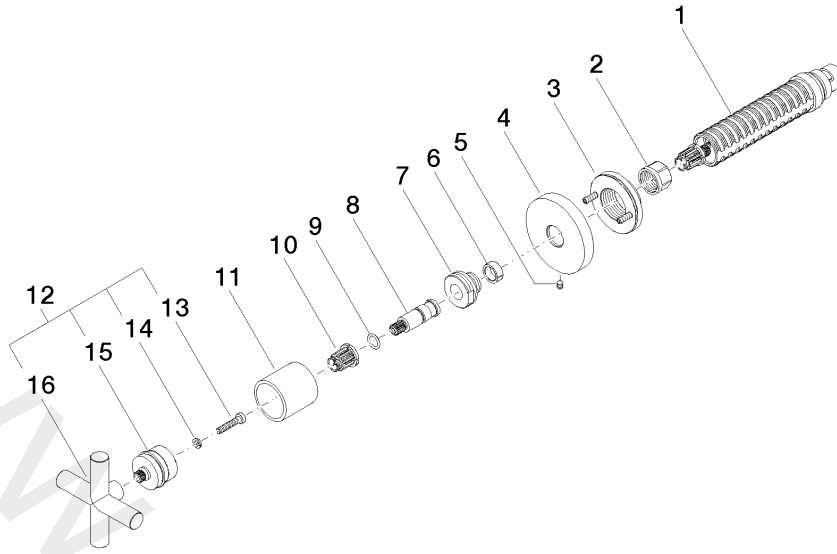
35 607 970 90

ST 060 112 8892

mm [inches]



www.divapor.com



Spare parts list

No.	Item Number	Name	Quantity used	Delivery time
1	90 90 03 143 00 90	top	1	2
2	09 23 30 023 90	nut	1	2
3	90 21 02 108 00 90	disc	1	2
4	09 27 89 108-10	rosette	1	40
5	09 31 11 007 90	pin	1	2
6	09 14 15 020 90	ring	1	2
7	09 24 05 002 90	nipple	1	2
8	09 29 06 022 90	spindle	1	2
9	09 14 10 060 90	seal	1	2
10	90 12 12 002 00 90	fixing cap	1	2
11	09 21 02 144-10	sleeve	1	40
12	04 20 89 010 00-10	handle	1	60
13	09 30 30 075 90	screw	1	2
14	09 30 11 029 90	disc	1	2
15	90 12 12 007 00-10	base	1	40
16	09 20 89 010-10	handle	1	40

ST 060 112 8892



- cover plate Ø 124 mm
- temperature control handle with safety limit stop at 38°C
- thermostat cartridge

**Codes & standards**

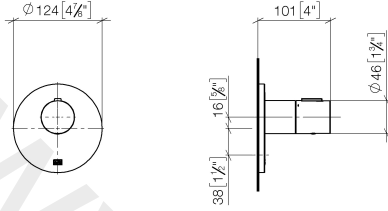
	Matte White	36 503 979-10
	Chrome	36 503 979-00
	Brushed Platinum	36 503 979-06
	Platinum	36 503 979-08
	Durabrand (23kt Gold)	36 503 979-09
	Dark Chrome	36 503 979-19
	Brushed Durabrand (23kt Gold)	36 503 979-28
	Matte Black	36 503 979-33
	Brushed Champagne (22kt Gold)	36 503 979-46
	Champagne (22kt Gold)	36 503 979-47
	Brushed Chrome	36 503 979-93
	Brushed Dark Platinum	36 503 979-99

www.divapor.com

www.divapor.com

ST 060 112 8892

mm [inches]

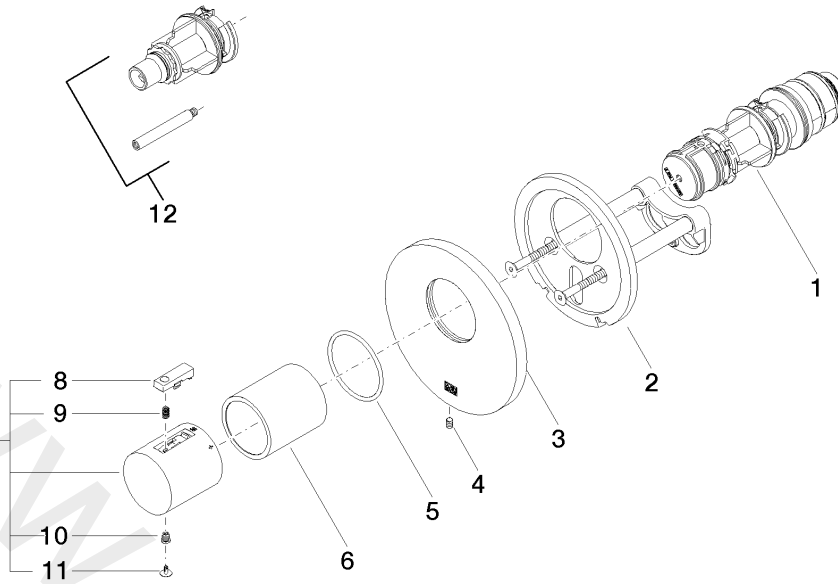


www.divapor.com



ST 060 112 8892

Parts for other finishes can be found here: Chrome



Spare parts list

No.	Item Number	Name	Quantity used	Delivery time
1	90 15 02 065 00 90	cartridge	1	2
2	90 11 01 196 00 90	base	1	2
3	09 11 02 537-10	cover	1	40
4	09 31 11 048 90	pin	1	2
5	09 14 10 049 90	seal	1	2
6	09 21 02 112-10	sleeve	1	40
7	90 17 33 004 00-10	handle	1	40
8	90 21 33 010 00-13	handle	1	2
9	90 16 02 027 00 90	spring	1	2
10	09 30 30 136 90	screw	1	2
11	09 31 20 049-13	plug	1	30
12	12 178 970 90	Extension 46 mm	1	2