




**Three-hole basin mixer without pop-up waste**

CL.1

ST 010 101 6705



- with WAVES structure
- 160 mm projection
- fixed spout
- rectangular spray pattern with 40 individual jets
- height of mixer 108 mm
- height up to aerator 94 mm
- hole diameter valve 32 mm
- hole diameter spout 35 mm
- rosette 60 x 47 mm
- 2x screw-in M 10 x 1 pressure hose, leak-tested
- max. flow 4 l/min
- lead-free

|  |                       |                    |
|--|-----------------------|--------------------|
|  | Brushed Dark Platinum | ST 010 101 6705-99 |
|  | Chrome                | ST 010 101 6705-00 |
|  | Brushed Platinum      | ST 010 101 6705-06 |

**Individual components of this set**

You need the following components for this set

1x 13 714 705-99



1x 20 005 705-99



1x 20 005 706-99



www.divapor.com

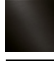
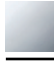
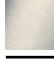

ST 010 101 6705



- 160 mm projection
- fixed spout
- rectangular spray pattern with 40 individual jets
- height of mixer 108 mm
- height up to aerator 94 mm
- hole diameter 35 mm
- 2x screw-in M 10 x 1 pressure hose, leak-tested
- 1/2" connection
- max. flow 4 l/min
- lead-free

**Codes & standards**

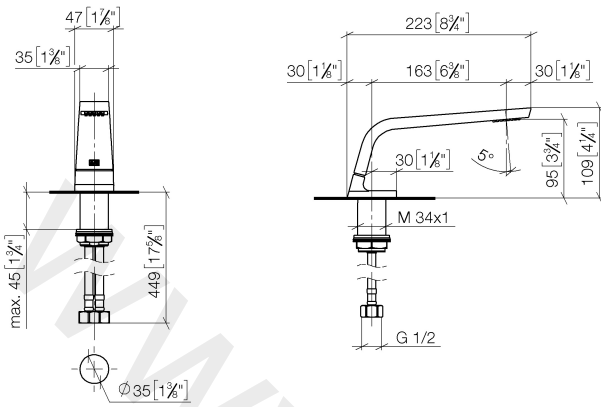
- NSF/ANSI 372

|  |                       |               |
|--|-----------------------|---------------|
|  | Brushed Dark Platinum | 13 714 705-99 |
|  | Chrome                | 13 714 705-00 |
|  | Brushed Platinum      | 13 714 705-06 |
|  | Dark Chrome           | 13 714 705-19 |

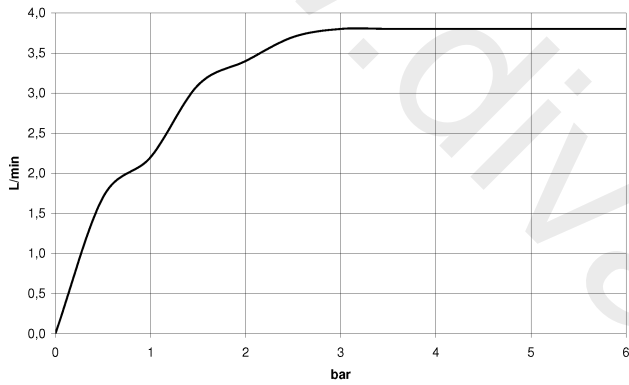
www.divapor.com

ST 010 101 6705

mm [inches]

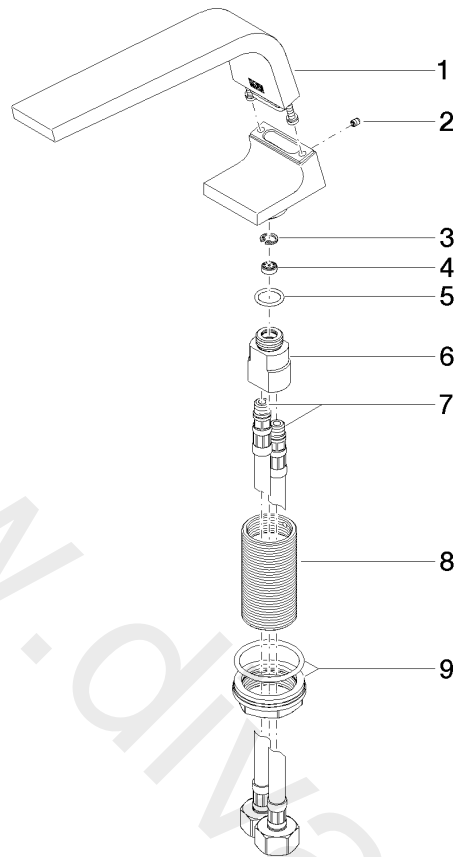


Flow rate chart



ST 010 101 6705

Parts for other finishes can be found here: [Chrome](#)



Spare parts list

| No. | Item Number        | Name         | Quantity used | Delivery time |
|-----|--------------------|--------------|---------------|---------------|
| 1   | 90 11 70 002 00-99 | spout        | 1             | 30            |
| 2   | 09 31 11 044 90    | pin          | 1             | 2             |
| 3   | 09 16 01 016 90    | ring         | 1             | 2             |
| 4   | 09 23 01 034 90    | flow reducer | 1             | 2             |
| 5   | 09 14 10 130 90    | seal         | 1             | 2             |
| 6   | 09 11 10 055 10 90 | connection   | 1             | 2             |
| 7   | 04 30 04 019 00 90 | hose         | 2             | 2             |
| 8   | 09 30 01 208 90    | connection   | 1             | 2             |
| 9   | 04 23 10 044 06 90 | fixing set   | 1             | 2             |

ST 010 101 6705

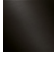
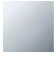
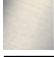

- with WAVES structure
- hole diameter 32 mm
- rosette 60 x 47 mm
- with cold marking



**Codes & standards**

- NSF/ANSI 372

Fits CL.1

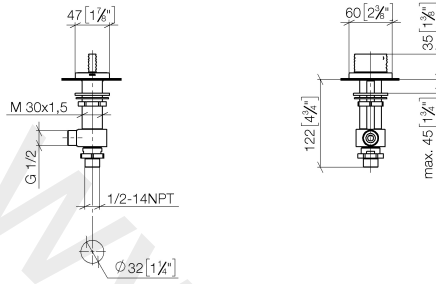
|  |                       |               |
|--|-----------------------|---------------|
|  | Brushed Dark Platinum | 20 005 705-99 |
|  | Chrome                | 20 005 705-00 |
|  | Brushed Platinum      | 20 005 705-06 |
|  | Dark Chrome           | 20 005 705-19 |

www.divapor.com

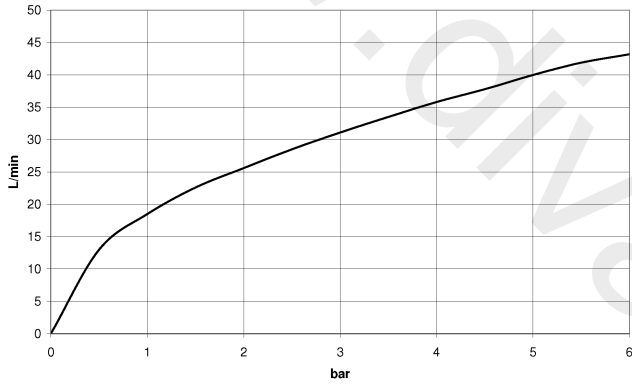
www.divapor.com

ST 010 101 6705

mm [inches]



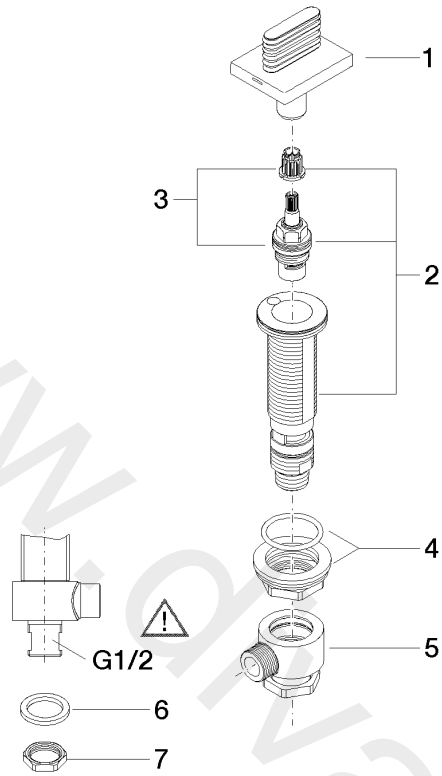
Flow rate chart





ST 010 101 6705

Parts for other finishes can be found here: [Chrome](#)



Spare parts list

| No. | Item Number        | Name               | Quantity used | Delivery time |
|-----|--------------------|--------------------|---------------|---------------|
| 1   | 90 20 70 055 06-99 | handle ( cold )    | 1             | 30            |
| 2   | 04 17 11 058 53 90 | side panel         | 1             | 2             |
| 3   | 90 90 03 153 00 90 | top                | 1             | 2             |
| 4   | 04 23 10 032 78 90 | fixing set         | 1             | 2             |
| 5   | 04 17 11 023 10 90 | distributor        | 1             | 2             |
| 6   | 04 23 30 040 00-99 | threaded connector | 1             | 30            |
| 7   | 09 30 11 059 90    | disc               | 1             | 2             |
| 8   | 09 23 10 012 90    | nut                | 1             | 2             |

ST 010 101 6705

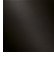
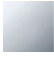
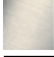

- with WAVES structure
- hole diameter 32 mm
- rosette 60 x 47 mm
- with hot marking



**Codes & standards**

- NSF/ANSI 372

Fits CL.1

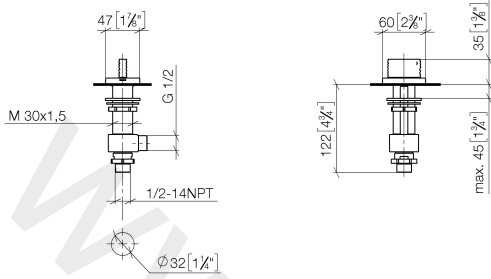
|  |                       |               |
|--|-----------------------|---------------|
|  | Brushed Dark Platinum | 20 005 706-99 |
|  | Chrome                | 20 005 706-00 |
|  | Brushed Platinum      | 20 005 706-06 |
|  | Dark Chrome           | 20 005 706-19 |

www.divapor.com

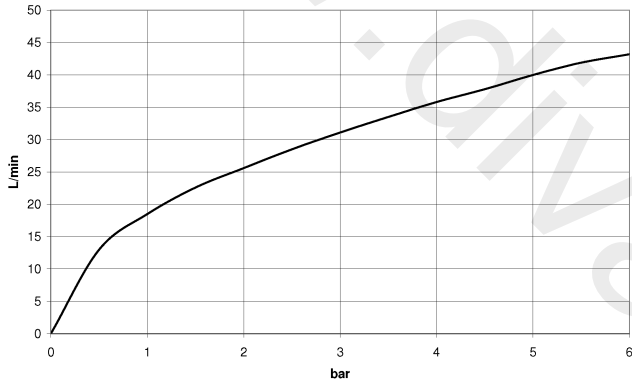
www.divapor.com

ST 010 101 6705

mm [inches]

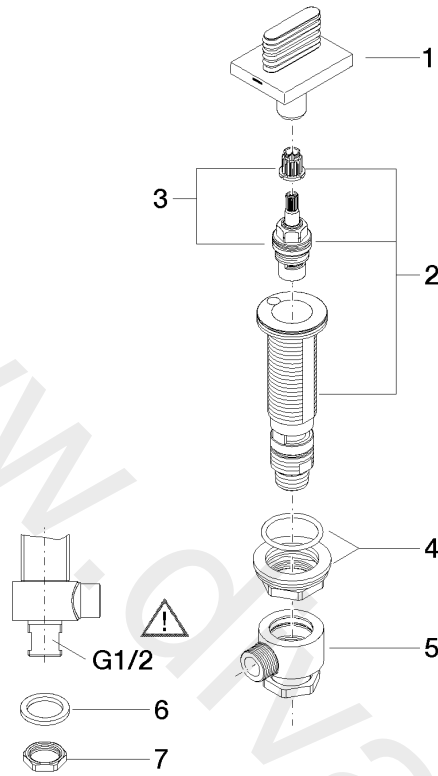


Flow rate chart



ST 010 101 6705

Parts for other finishes can be found here: [Chrome](#)



Spare parts list

| No. | Item Number        | Name               | Quantity used | Delivery time |
|-----|--------------------|--------------------|---------------|---------------|
| 1   | 90 20 70 055 07-99 | handle ( hot )     | 1             | 30            |
| 2   | 04 17 11 058 52 90 | side panel         | 1             | 2             |
| 3   | 90 90 03 152 00 90 | top                | 1             | 2             |
| 4   | 04 23 10 032 78 90 | fixing set         | 1             | 2             |
| 5   | 04 17 11 023 10 90 | distributor        | 1             | 2             |
| 6   | 04 23 30 040 00-99 | threaded connector | 1             | 30            |
| 7   | 09 30 11 059 90    | disc               | 1             | 2             |
| 8   | 09 23 10 012 90    | nut                | 1             | 2             |