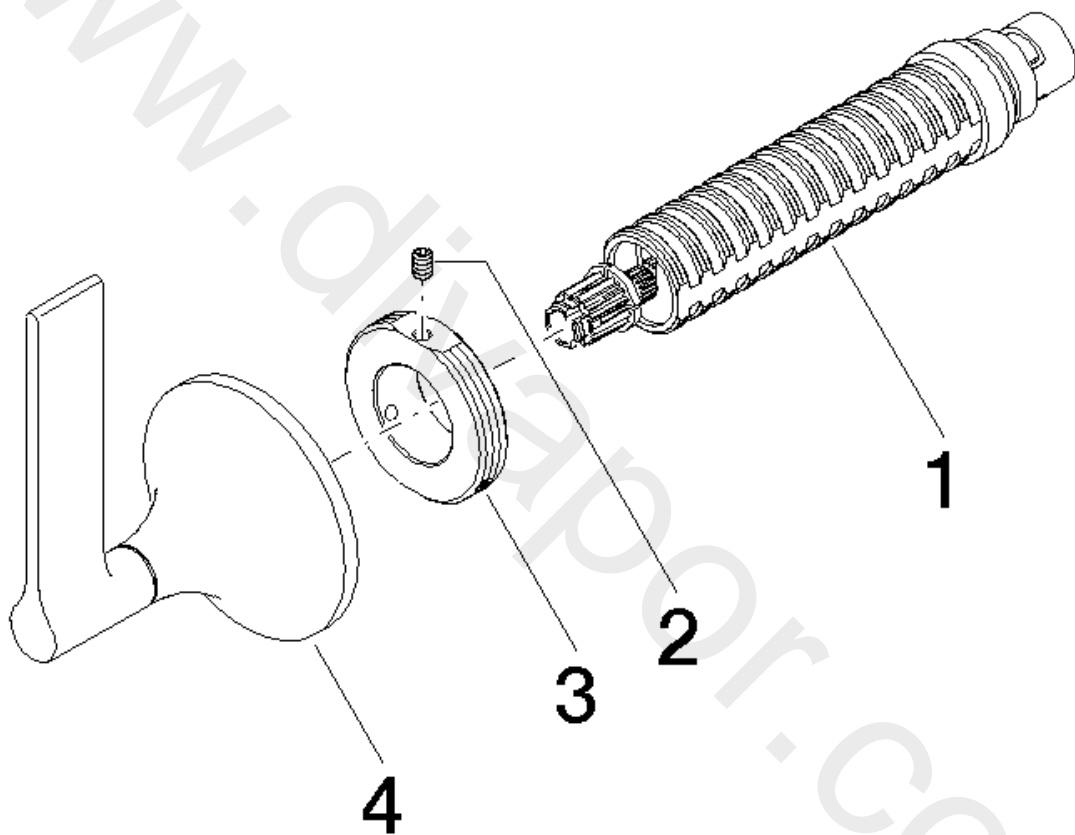


Shower - VAIA

Wall valve clockwise closing 1/2"

Article number: 36 607 819-06



Spare parts list

| Position | Quantity used | Item Number | Spare part | Delivery time |
|----------|---------------|--------------------|------------|---------------|
| 1 | 1 | 90 90 03 143 00 90 | top | 2 |
| 2 | 1 | 09 31 11 008 90 | pin | 2 |
| 3 | 1 | 09 21 02 163 90 | disc | 2 |
| 4 | 1 | 90 20 80 015 00-06 | handle | 10 |



Shower - VAIA

Wall valve clockwise closing 1/2"

Article number: 36 607 819-06

www.divapor.com