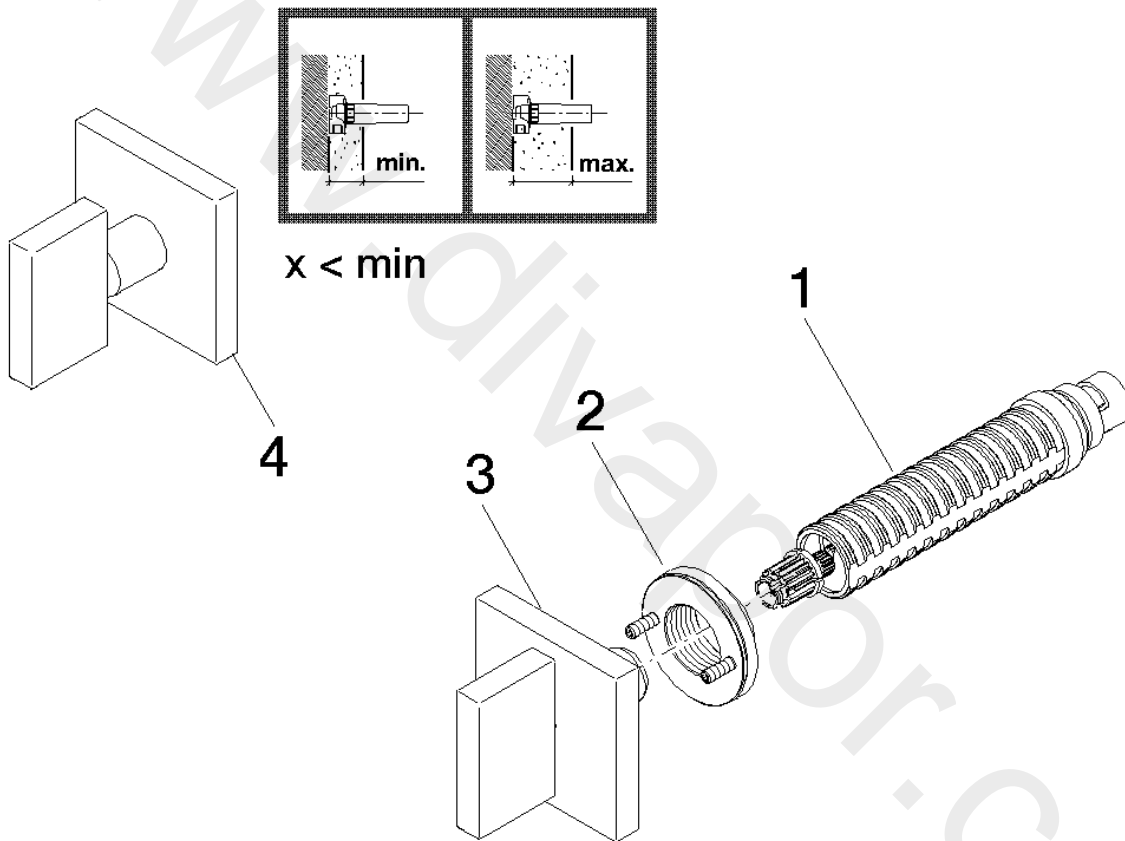


Shower - MEM

Wall valve clockwise closing 1/2"

Article number: 36 607 782-06



Spare parts list

Position	Quantity used	Item Number	Spare part	Delivery time
1	1	90 90 03 143 00 90	top	2
2	1	90 21 02 108 00 90	disc	2
3	1	90 20 78 002 02-06	handle	10
4	1	04 20 78 002 01-06	handle	10



Shower - MEM

Wall valve clockwise closing 1/2"

Article number: 36 607 782-06

www.divapor.com