



DPI106E / DPI106E-SAN

DOLPHIN LIQUID SOAP AND DISINFECTANT SENSOR DISPENSER

MOUNTING AND COMMISSIONING GUIDE

CONTENTS

Scope of delivery	4
Mounting	6
Commissioning	9
Connecting a power supply	12
Contact us	14

SAFETY INFORMATION

During mounting

- ▶ The product may only be installed by qualified personnel with relevant technical knowledge.
- ▶ Observe the applicable national safety regulations when handling electrically operated tools.
- ▶ Wear prescribed protective equipment such as safety glasses and work gloves.
- ▶ Be aware of electrical cables, water pipes or similar when drilling the fixing holes.
- ▶ Remove drilling dust and other contamination after mounting.
- ▶ Observe the safety and usage information for the use of cleaning agents in the associated User Guide for Maintenance and Care.

During commissioning

- ▶ Only use the permissible operating fluids. You will find information on this in the associated **User Guide for Maintenance and Care**.

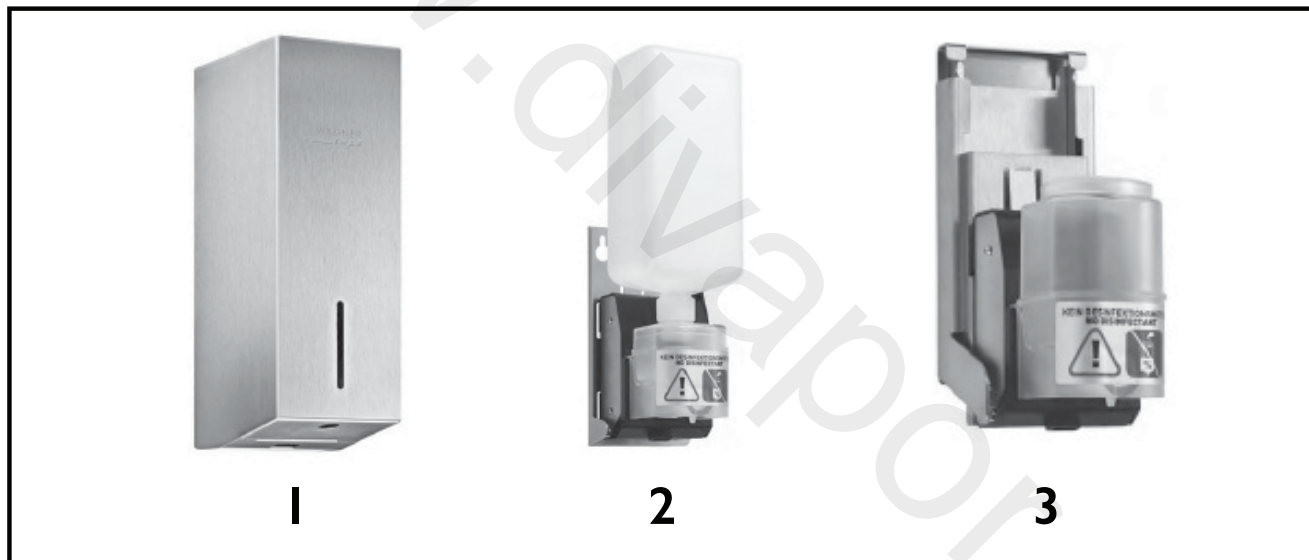
Mounting and Commissioning

- ▶ Observe the safety information listed above the mounting information from page 6 and the commissioning information from page 11.
- ▶ The illustrations and descriptions show examples of the mounting and commissioning of the surface-mounted variant with Module. This guide applies generally to flush-mounted, washbasin or behind-mirror installation as well as units with several Modules.

SCOPE OF DELIVERY

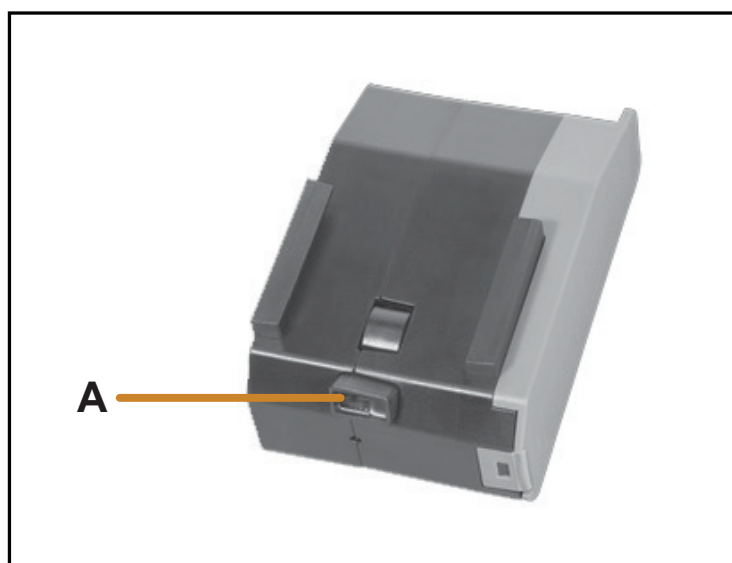
The scope of delivery depends on the ordered type. Please check your delivery note.

Housing



1. Surface mounting with 1, 2 or 3 units.
2. Mounting in cabinet
3. Key (with lockable housings)

Module



Module, 2 batteries included
(not with air freight)

A Sensor and status LED

PUMPS, TANKS, DISPOSABLE BOTTLES

Housing



1. Sensor soap pump for Module
2. Sensor soap pump with tank 200ml
3. Sensor disinfectant pump with tank 700ml or 950ml
4. Plug-in tank 850ml

Mounting material

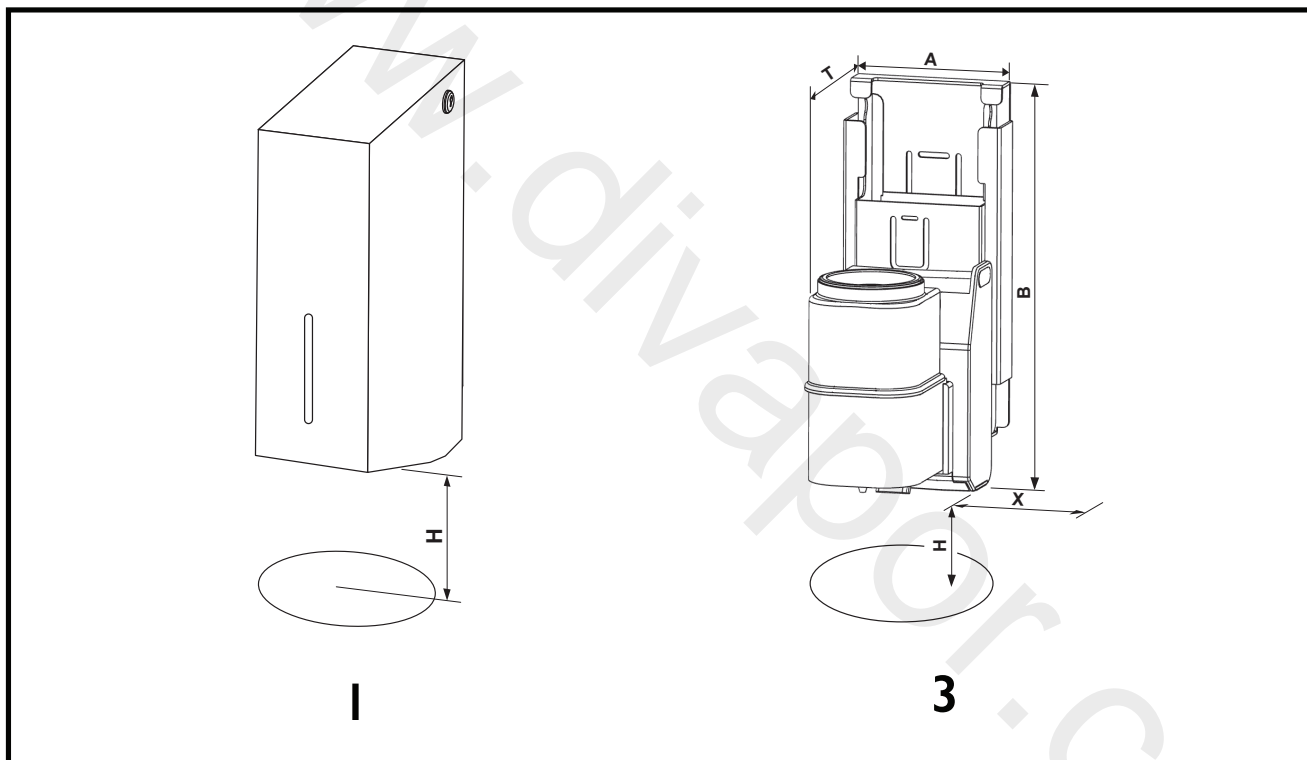
Mounting material for standard mounting

Documents

- User Guide for Mounting and Commissioning
- User Guide for Maintenance and Care

MOUNTING

Installation notes

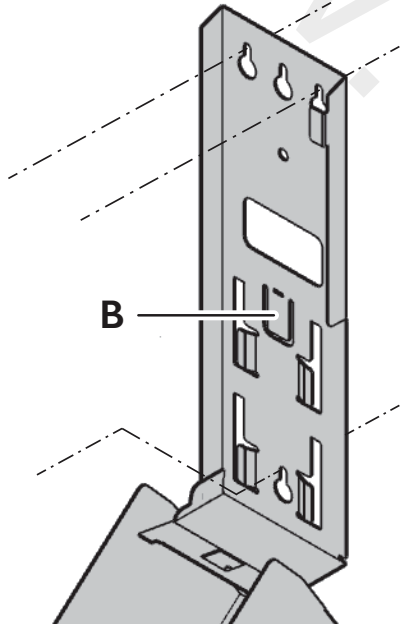


	Types and mounting	A (mm)	B (mm)	T (mm)	H (mm)	X' (mm)
1	Surface mounting	–	–	–	> 150	–
2	Mounting behind mirror / in cabinet	86,4	206,5	185	280	125

- Recommended lateral distance for opening the battery compartment

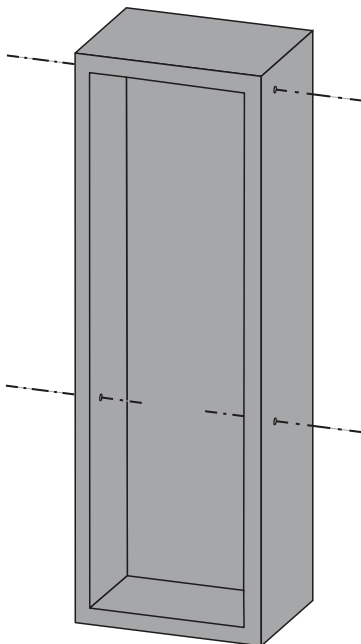
MOUNTING THE HOUSING

Surface mounting, mounting in cabinet, mounting behind mirror



- ▶ Mount housing on the wall/back wall using the enclosed installation material.
- ▶ Before mounting bend tab (B) slightly forward to protect Module from being pushed out.

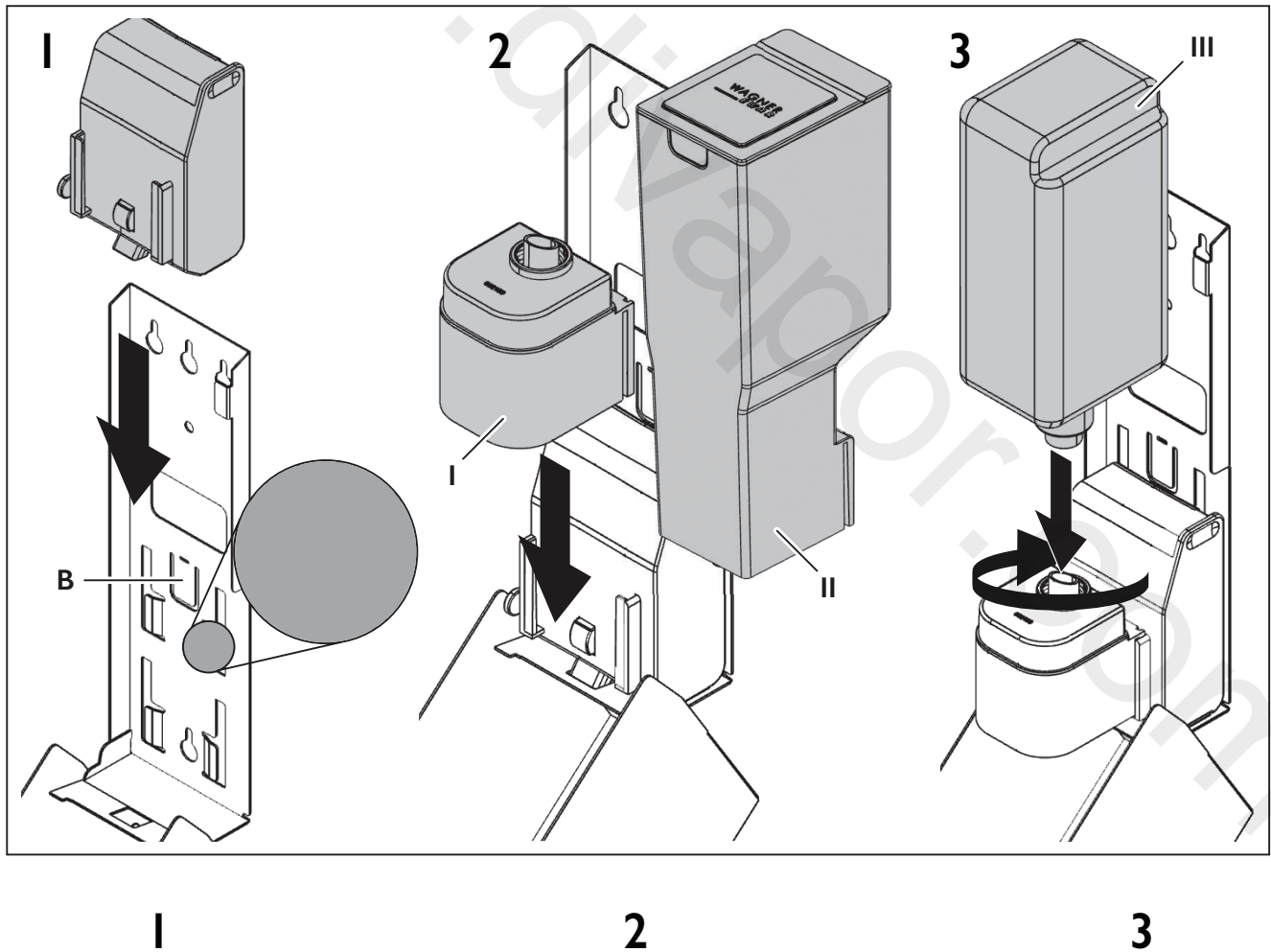
Flush mounting



- ▶ Mount housing on the prepared recess using the enclosed installation material.
- ▶ Remove any drilling dust created when mounting the housing.

ASSEMBLING THE DISPENSER

Descriptions show the surface mounting with one Module.
Other types are assembled accordingly.



- ▶ From the top slide Module into all four tabs of the back plate.
- ▶ Bend locking tab **(B)** forward.

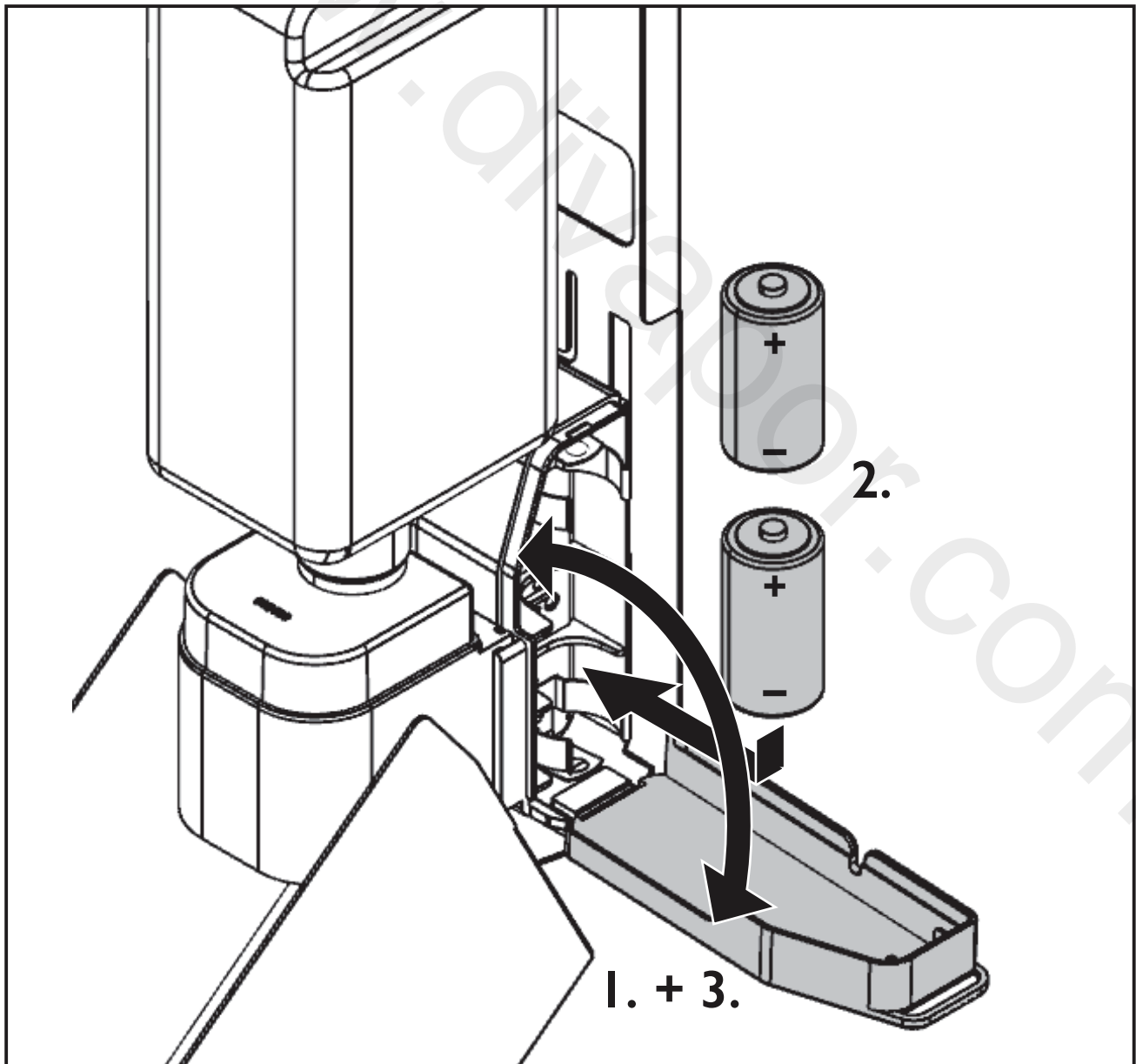
- ▶ From the top slide pump (I) resp. pump with tank (II) into the Module.

- ▶ Place disp. bottle/tank into pump connection and rotate it in straight until it stops.
Surface mounting: Indentation in end position right (III).

COMMISSIONING

Inserting batteries

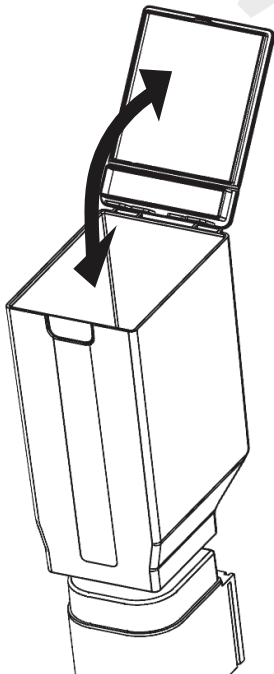
Optionally, a power supply can be used (see "Connecting a power supply" on page 14).



- Do not use rechargeable batteries.

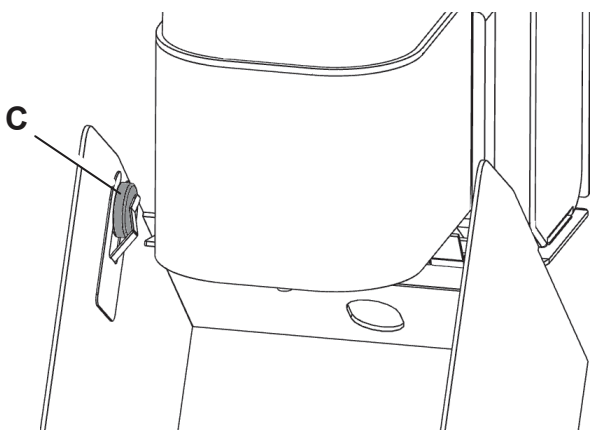
1. If necessary remove Module to insert batteries.
2. Open battery compartment lid to the right.
3. Insert supplied batteries (type Baby CLR14) into battery compartment with positive terminal facing upwards.
4. Close battery compartment lid.

FILL DISPENSER WITH TANK



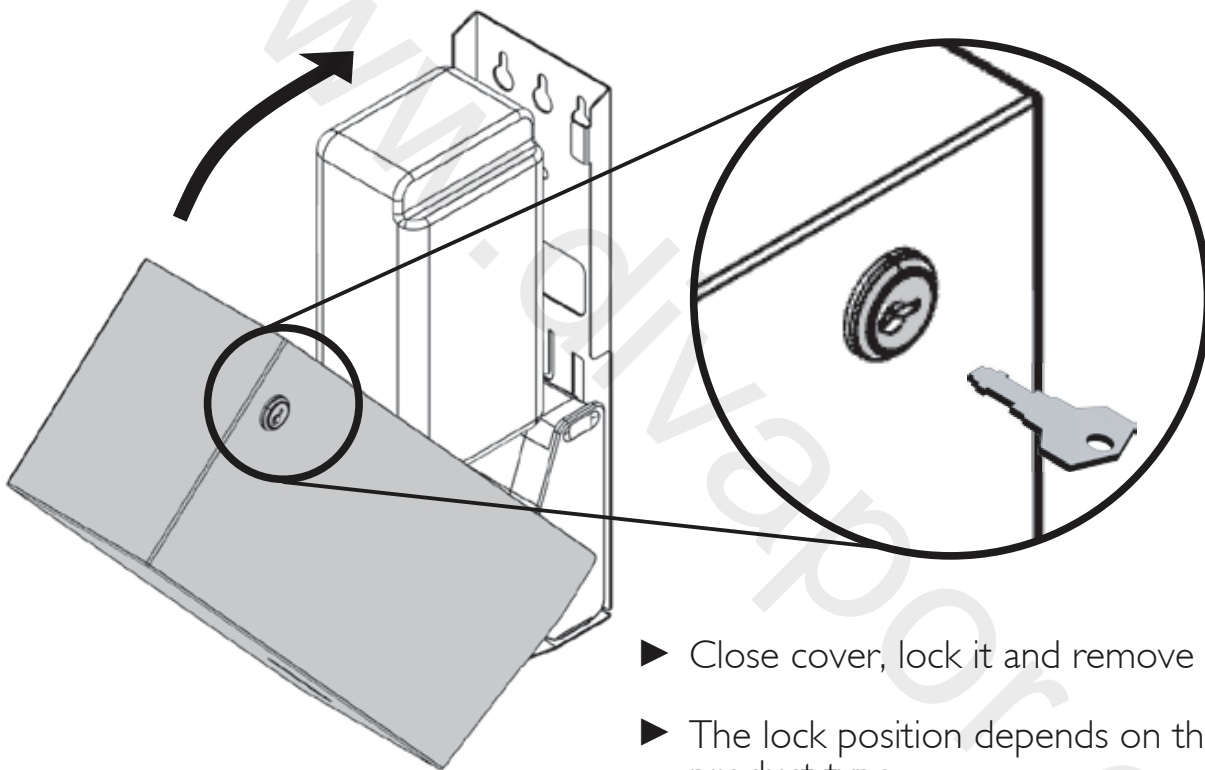
- ▶ **NOTICE:** Fill only with the operating medium intended and suitable for the dispenser (see **User Guide for Maintenance and Care**).
- ▶ Open tank cap and fill in liquid soap or disinfectant.
- ▶ Close cap and remove any spilled liquid.

BEFORE COMMISSIONING



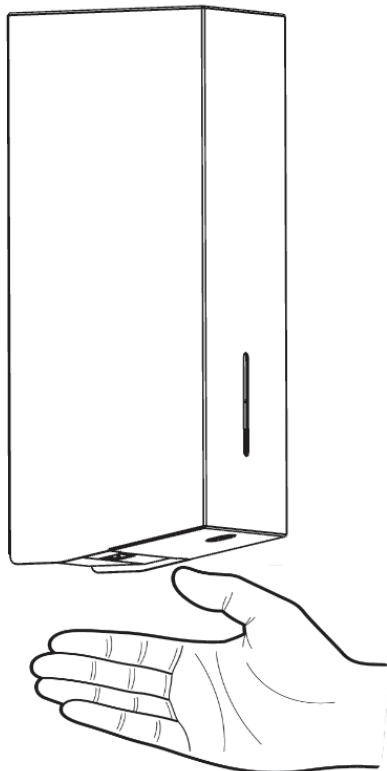
- ▶ **CHECK MAGNET.**
A disc magnet on the left side of the dispenser activates the Module.
- ▶ Check that the disc magnet is properly clipped into holder (C).

CLOSE HOUSING (At surface of flush mounting)



- ▶ Close cover, lock it and remove keys.
- ▶ The lock position depends on the product type.

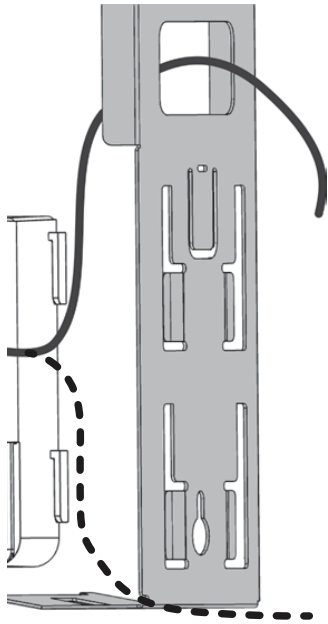
CHECK FUNCTION



- ▶ Remove any protective film that may still be attached.
- ▶ Hold your hand under the dispenser so that the Module triggers the pump. During initial start-up, several actua-tions may be required until liquid is dispensed.
- ▶ For combinations, test all modules individually.
- ▶ In case of malfunctions, see associated **User Guide for Maintenance and Care.**

CONNECTING AN OPTIONAL POWER SUPPLY

- ▶ Only use the original plug-in power supply (cable length: 1.35 m).
- ▶ Observe a suitable position for the power supply.
- ▶ If necessary, take into account that dispensers can be removed for behind mirror mounting.

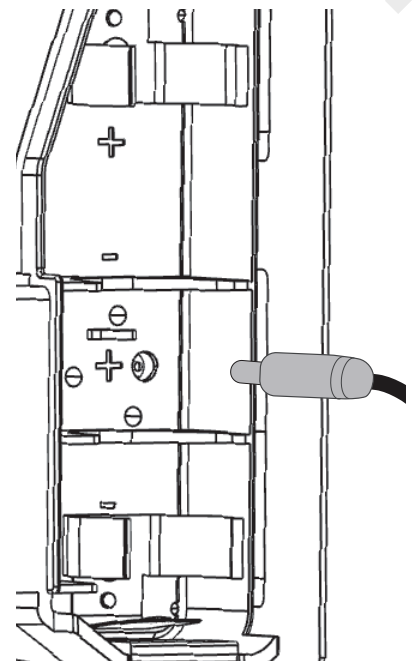


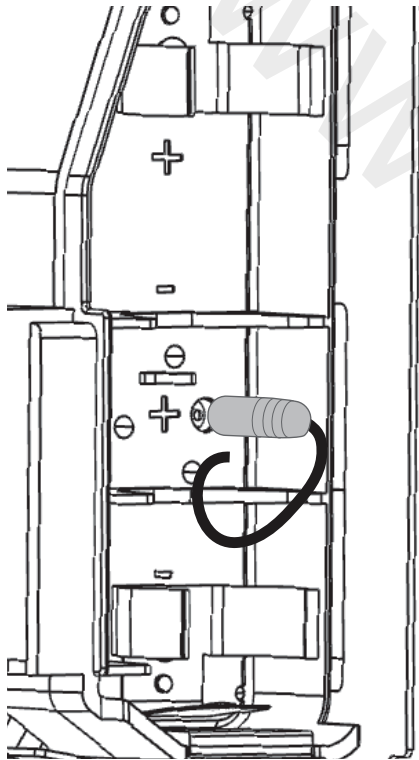
Guide Power Cable:

- ▶ If necessary, route the cable of the low-voltage side via an empty conduit through the opening (K) or alternatively at the bottom through the recess in the rear panel.

Connecting:

- ▶ Open battery compartment lid, remove any inserted batteries and plug in jack plug.



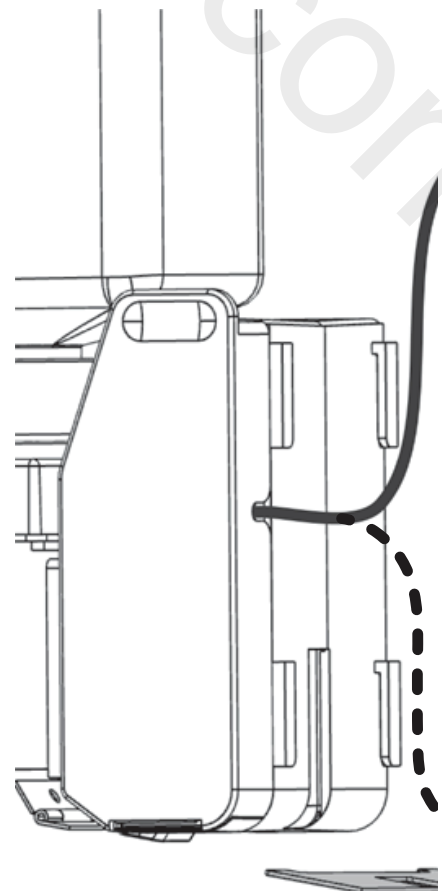


Stow ferrite core:

- ▶ Stow ferrite core close to the jack plug in the battery compartment.

Close battery compartment:

- ▶ Carefully close battery compartment cover while leading the power cable out through the recess provided to the rear.





CONTACT US

Dolphin
Southpoint, Compass Park
Junction Road, Bodiam
TN32 5BS
United Kingdom

T +44 (0)1424 202 224
E info@dolphinsolutions.co.uk
W dolphinsolutions.co.uk

© Dolphin Solutions Ltd.