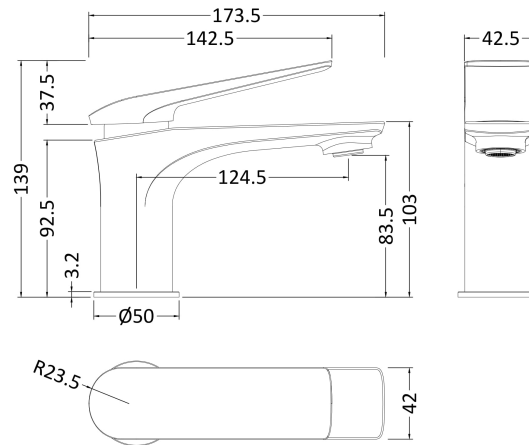


**Sales Code:** DRI305

**Description:** Drift Mono Basin Mixer P/B Waste



**Product Dimensions**

Height (mm):	139
Width (mm):	50
Depth (mm):	174
Length (mm):	
Nett Weight (kg):	1.1

**Packaging Dimensions**

Height (mm):	80
Width (mm):	190
Depth (mm):	335
Gross Weight (kg):	1.3

**Packaging Data**

Box Colour:	White Cardboard Box
Box Qty:	1
Label Size:	100 x 50
Label Colour:	White Label
Label Qty:	1

**Outer Box Dimensions (If Applicable)**

Height (mm):	360
Width (mm):	395
Depth (mm):	430
Length (mm):	
Gross Weight (kg):	
Barcode:	5056211840336

**Product Details**

Country of Origin:	China
Fitting Instruction:	Yes
Product Material:	Brass
Control Type:	Manual
Waste Included:	Waste Included
Waste Type:	Push Button
WRAS Approval: No	Approval No:
Valve/Cartridge Type:	Single Lever Cartridge
Colour/Finish:	Chrome
Mount Type:	Deck
Operating Pressure (bar):	0.5
Flow Rates: (Litres Per Min)	0.1 bar: 1.5    0.5 bar: 5.5    1 bar: 8    2 bar: 11.5    3 bar: 14.5
Pipe Size:	1/2"
Pipe Centres:	N/A