



DSI03

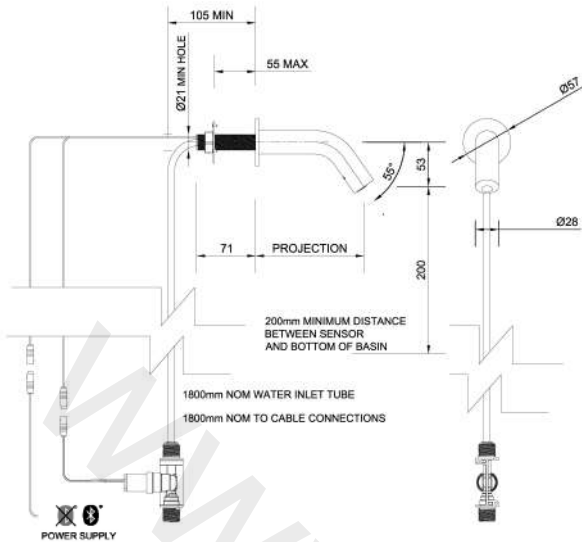
## DOLPHIN THRU PANEL MOUNTED INFORM (SMART) TAP

### INSTALLATION AND MAINTENANCE GUIDE

#### PRODUCT CODES

DSI03.130	> 130mm Projection
DSI03.180	> 180mm Projection
DSI03.230	> 230mm Projection
DSI03.280	> 280mm Projection
DSI03.330	> 330mm Projection

## DS103



### TECHNICAL DATA

- › Dolphin Thru Panel Mounted InForm (SMART) Tap
- › Manufactured from high-quality, highly durable 1.4401 (316) Marine grade stainless steel.
- › Self-Monitoring Analysis and Recording Technology (SMART) allows the Facilities Manager to connect point to point via the Dolphin SMART App when used with the optional Bluetooth Adaptor (Sold separately -Order product code 25148 )
- › Infra-Red Touch Free Tap for ultimate hygiene prevents cross contamination Sensor mounted in end of spout
- › Designed to be mounted thru an IPS panel.
- › Flow rate - 3.78 litres/minute with the standard fitted flow regulator (contained within Neoperl TT cache aertor) at any pressure between 0.5 and 6 bar\*
- › Other flow rates including 1.89 litres/minute available to special order please enquire\*
- › Water Supply: Single inlet cold or pre-mixed a TMV2 or TMV3 thermostatic mixing valve is recommended for premixed applications
- › Maximum operating water temperature - 60°C
- › Power Supply: \*
- › Nominal Current: Less than 1mA (Less than 25mA with Bluetooth)
- › Nominal Power: Less than 1W
- › Security Time can be adjusted via the App Default 20 Seconds (60 Seconds max)
- › IP68 Connector

\* See page 4 for power supply, flowrates and other options

### PRODUCT CODES

- DS103.130 › 130mm Projection
- DS103.180 › 180mm Projection
- DS103.230 › 230mm Projection
- DS103.280 › 280mm Projection
- DS103.330 › 330mm Projection

### Coding Explained

#### Style

DS103 55° Bent Spout  
DS10X.XXX.X

#### Projection

130/180/230/280/330mm  
DS10X.XXX.X

#### Finish

1 Brushed Satin  
2 Mirror Polished  
3 PVD Brushed  
4 PVD Mirror  
5 Powder Coated  
DS10X.XXX.0

#### Colour

Suffix to end of code  
(Number allocated by Dolphin Solutions)

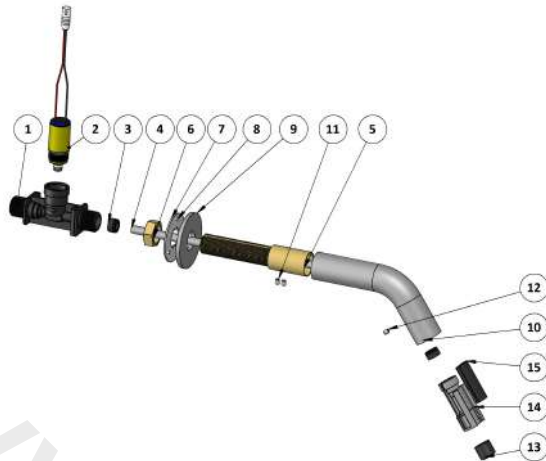
#### Example Coding DS103.130.1

55° Bent Spout  
130mm Projection  
Brushed Satin Finish  
Options Bluetooth  
PVD   
Powder Coating

## PACK CONTENTS

1	25036	Solenoid Adapter
2	25698	6v DC solenoid valve and cable
3	25035	1/2 Cartridge
4	25030	8mm Tube
5	25034	Tail
6	25350	M20x1.5P 1/2 Nut
7	25038	Lock Washer
8	25032	M3x6 Grub Screw
9	25039	Rosette
10		Body
11	25031	M5x5 Grub Screw
12	25048	M5x6 Grub Screw
13	25041	Aerator
14	25040	Aerator Housing
15	25146	Sensor Assembly

N.B. For replacements 1 & 3 come as an assembly Part No. 25655



### Options



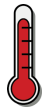
Standard   
 ? Order 25148 separately

### Power Supply Options:\*

- 25147 UK Mains Adaptor
- 25428 EURO Mains Adaptor
- 25240 Hardwire Transformer
- 25241 Battery Pack



kPa  
50 min  
600 max



°C  
60



L/min  
3.78 max @ 200kPa

## PRE INSTALLATION

› Please check that all the components in the list above are present and that they are in good condition before installation. If any components are missing contact Dolphin Solutions.

› It is very important to allow permanent access to the mounting tail/nut of this product for future servicing and repair. Where this is not possible see our wall plate mounted products.

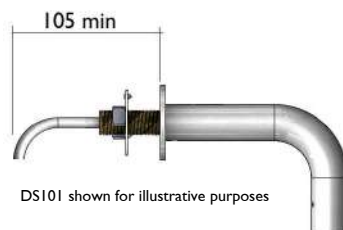
### ⚠ WARNING

› Highly reflective surfaces directly beneath the sensor of this product, in particular polished finish basin wastes/strainers, will cause false activation of the infrared sensors and can result in malfunction. We recommend Satin or Matt finish products which can be found on our website.

› Sitting water may also cause the tap to activate

› All Plumbing and Electrical installation must be carried out by a qualified person and in accordance with applicable codes and regulations.

› Do not kink the water supply hose.



DS101 shown for illustrative purposes

## INSTALLATION

1 Flush pipes thoroughly before and after installation

2   
 Ø21   
 DSI01 shown for illustrative purposes   
 200mm min to Basin

3   
 Lock Washer   
 Grub Screw

4   
 1/2" BSP

5 › Switch on power supply

› The sensor is self adjusting.\*

\*Further adjustments can be made by purchasing the Bluetooth Adaptor and downloading the App

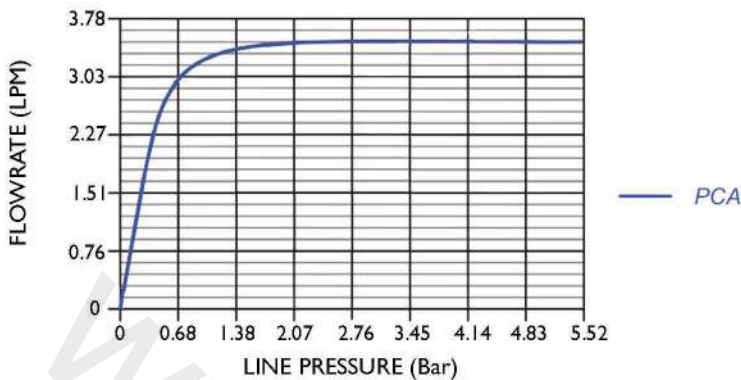
6 Open hot and cold water supply and check that connections are watertight.

## MAINTENANCE

**DO NOT** use steel wool or cleansing agents containing alcohol, acid, abrasives or the like. Use of any prohibited cleaning or maintenance products or substances could damage the surface of the tap. For surface cleaning of tap use **ONLY** soap and water then wipe dry with a clean soft cloth. Protect taps from splattering of harsh cleansers when cleaning surroundings.

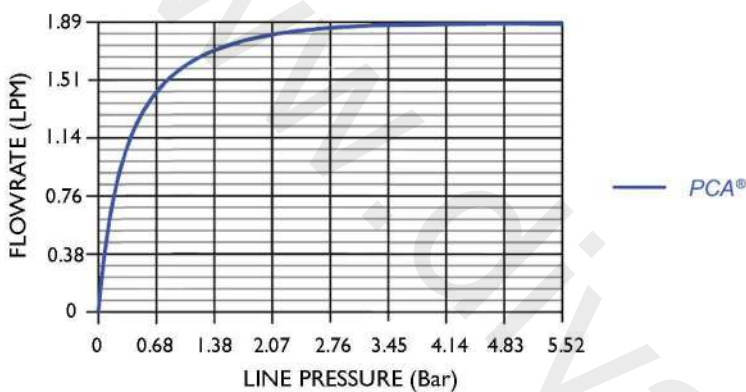
## OPTIONS

### Flow Rate Curve



**PCA® Perlator®**  
**Faucet Aerator - 3.78 lpm max**  
 Pressure Compensating Tom Thumb® Size

### Flow Rate Curve



flow, stop and go®

**PCA® Perlator®**  
**Laminar Stream - 1.89 lpm max**  
 Pressure Compensating Tom Thumb® Size

## POWER SUPPLY OPTIONS

### UK MAINS ADPATOR PRODUCT CODE 25147

(Other Adaptor pin and power supply configurations available upon request):

- › Input voltage: 100 – 240V AC +/- 10%, 50 - 60 Hz
- › Output voltage: 6.75V DC + 0.15V/ -0.35 V
- › Secondary current: 0 - 350 mA DC
- › Buffer capacitors: The adaptor secondary contains 3 buffer capacitors (necessary to close the solenoid valve in case of power outage):
  - 2 x 2200 µF,
  - 1 x 100µF
- Certifications: EN 60335-1, EN 60950-1
- › 1m Cable

### HARDWIRE TRANSFORMER PRODUCT CODE 25240

- › Input voltage: 100 – 240V ± 10% 50-60 Hz ± 3 Hz
- › Output voltage: 6.6V DC ± 5%
- › Secondary current: 200 mA DC
- › Buffer capacitors: one buffer capacitor 4700 µF (necessary to close the solenoid valve in case of power outage)
- Certifications: EN 60335-1, EN 61558-2
- › 1m Cable (Transformer to Tap), 2m Cable (Transformer to Mains)

### BATTERY PACK PRODUCT CODE 25241

- › Requires a 6V lithium battery (CR-P2, approx. 1.500mAh) which has a lifetime of 200.000 switching cycles or 3-5 years depending on user frequency.
  - › 100mm Cable (Approx)
  - › **Important note** - the battery unit can't be used in combination with the Bluetooth adaptor.
- The battery unit contains the CR-P2 battery as delivery content. The housing enables a fixation on wall by using the mounting clips (part of the housing but screws are not included) or the rear affixed Velcro tape

### BLUETOOTH ADAPTOR PRODUCT CODE 25148



Bluetooth® version 4.0.

The **current version** of the app required for using the system **must** be installed on the control unit in advance. The App is available for free in the iTunes Store (requires an Apple account) and the Google Play store (requires a Google account).

For operation under adverse environments, in buildings / rooms with reinforced concrete walls, steel and iron frame, or near of obstructions (eg furniture) of metal, the Bluetooth reception can be disturbed and interrupted.

### Bluetooth®:

Power consumption:	Less than 25mA
Output:	Bluetooth® - Class 2
Bluetooth® - version:	4.0
Bluetooth® - Transmission distance:	about 10m (depending on the environments)
Automatic safety shut-off:(10/20/60 seconds - adjustable)	20 s
Run-on time (0 - 10 s adjustable):	1 s
Detection Range - Levels 1 to 10 (10 = 120mm approx)	10