

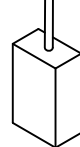
200mm MINIMUM DISTANCE BETWEEN SENSOR AND BOTTOM OF BASIN

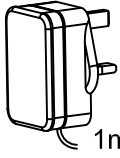
700mm WATER INLET TUBE

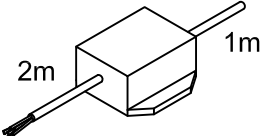
1000mm NOM CABLE TO CONNECTIONS

1/2" BSP


 Bluetooth Adaptor
 Product Code
 25148


 6V DC Battery Pack
 Product Code
 25241


 Mains Adaptor
 Product Code
 UK: 25147
 EURO: 25428


 Hardwire Transformer
 Product Code
 25240

DOLPHIN SOLUTIONS LIMITED
 DOLPHIN THRU PANEL MOUNTED SMART TAP
 DS111



Select Power Supply &/Or Bluetooth Option: Order separately