

## ACADEMY BRASSWARE



### Installation Instructions



**INSTALLER**  
After installation pass to user  
for future reference

www.diverpro.com



Ideal Standard Limited  
The Bathroom Works  
National Avenue  
Kingston upon Hull  
HU5 4HS  
England  
Telephone: (01482) 346461  
Telefax: (01482) 445886.

**CUSTOMER CARE HELPLINE**  
**0870 1296085**

**CUSTOMER CARE FAX LINE 01482 499611**  
**email: ukcustcare@IdealStandard.com**

Ideal Standard pursues a policy of continuing improvement in design and performance of its products. The right is, therefore, reserved to vary specifications without notice.

Ideal Standard (UK) Ltd.

4084 03/08

## Academy Brassware

Euro Code	Product
E0166	Pillar taps
E0106	Monoblock basin mixer
E0116	Monoblock bidet mixer
E0206	Monoblock swivel spout kitchen mixer
E0126	Monoblock bath filler
E0136	Two hole bath filler
E0146	Monoblock bath/shower mixer with kit
E0156	Two hole bath/shower mixer with kit
E0226	Wall mounted shower with kit
E0216	Wall mounted bath/shower mixer with kit

Please read these instructions carefully before commencing installation. On completion of the installation, hand these instructions to the user for future reference.

The hot supply must be on the left and the cold supply must be on the right.

### BASIN PILLAR TAPS

Connections for hot and cold supplies are 1/2" BSP male, which can be connected to the water supplies using 1/2" 15mm tap connectors.

Both supplies must be reasonably balanced in order for the bath/shower mixer to perform correctly.

### MONOBLOCK BASIN, BIDET AND KITCHEN MIXERS

Connections for hot and cold supplies are in 10mm copper tube which can be bent to suit the installation and 10mm x 15mm connectors are used to connect 15mm supply pipework.

Both the basin and bidet mixers have a top installation fixation system.

### TWO HOLE BATH FILLER AND BATH/SHOWER MIXER

Connections for hot and cold supplies are 3/4" BSP male which can be connected to the water supplies using 3/4" x 22mm tap connectors. Both supplies must be reasonably balanced in order for the bath/shower mixer to perform correctly.

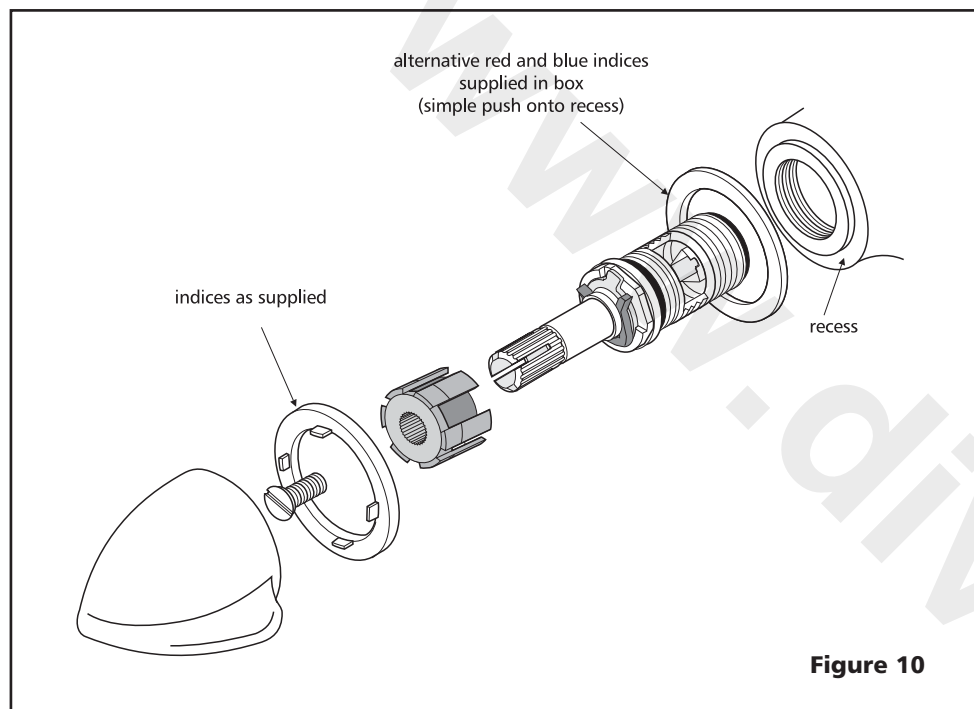
### MONOBLOCK BATH FILLER AND BATH/SHOWER MIXER

Connections for hot and cold supplies are in 15mm copper tube which can be bent to suit the installation and 15mm x 22mm connections are used to connect to 22mm supply pipework.

### WALL MOUNTED BATH/SHOWER AND SHOWER MIXER

Connections for hot and cold supplies are 1/2" BSP. Both supplies must be reasonably balanced in order for the bath/shower mixer to perform correctly. The wall mounted bath shower and shower mixer requires a minimum water pressure of 0.5Bar (5 metres head).

## HANDLE FIXATION



**Figure 10**

The chrome or gold indice (as supplied) is snapped into the handle. Alternative Red or Blue indices are supplied in the box and can easily be changed on site. Optional (thinner) indice rings are also supplied and simply push onto the recess as and when required.

## WATER SUPPLIES

Academy mixers are designed for installation on normal UK low pressure storage tank fed systems or unvented high pressure systems. It is recommended that the hot and cold supply pressures are reasonably balanced for both low pressure and unvented high pressure systems for optimum performance. Academy basin, bidet, bath filler and kitchen fittings are designed to operate on supply pressures ranging from 0.1 Bar minimum to 5.0 Bar maximum.

Recommended dynamic (flowing) water pressure for the bath shower mixer versions is 2.0 Bar, in order to achieve this on a high pressure system (above 2Bar) pressure reducing valves will need to be fitted onto the hot and cold water supplies. A flow straightener is fitted in the spout and a Neoperl aerator/flow restrictor (not supplied) should be fitted when the supply pressure is greater than 1Bar. A Neoperl aerator/flow restrictor is available from Ideal-Standard if required. The wall mounted bath shower and shower mixer can only operate on pressures ranging from 0.5 Bar minimum to 5.0 Bar maximum.

## WATER BYELAWS INSTALLATION REQUIREMENTS

As the incorrect installation of water fittings may result in contravention of water byelaw requirements the following "Installation Requirements & Notes" (IRN's) are intended as guides to water undertakers, consumers, installers and their customers. These IRN's relate to the byelaws implemented by the water undertakers from 1st January 1989.

The following IRN's apply to the Academy fittings listed:

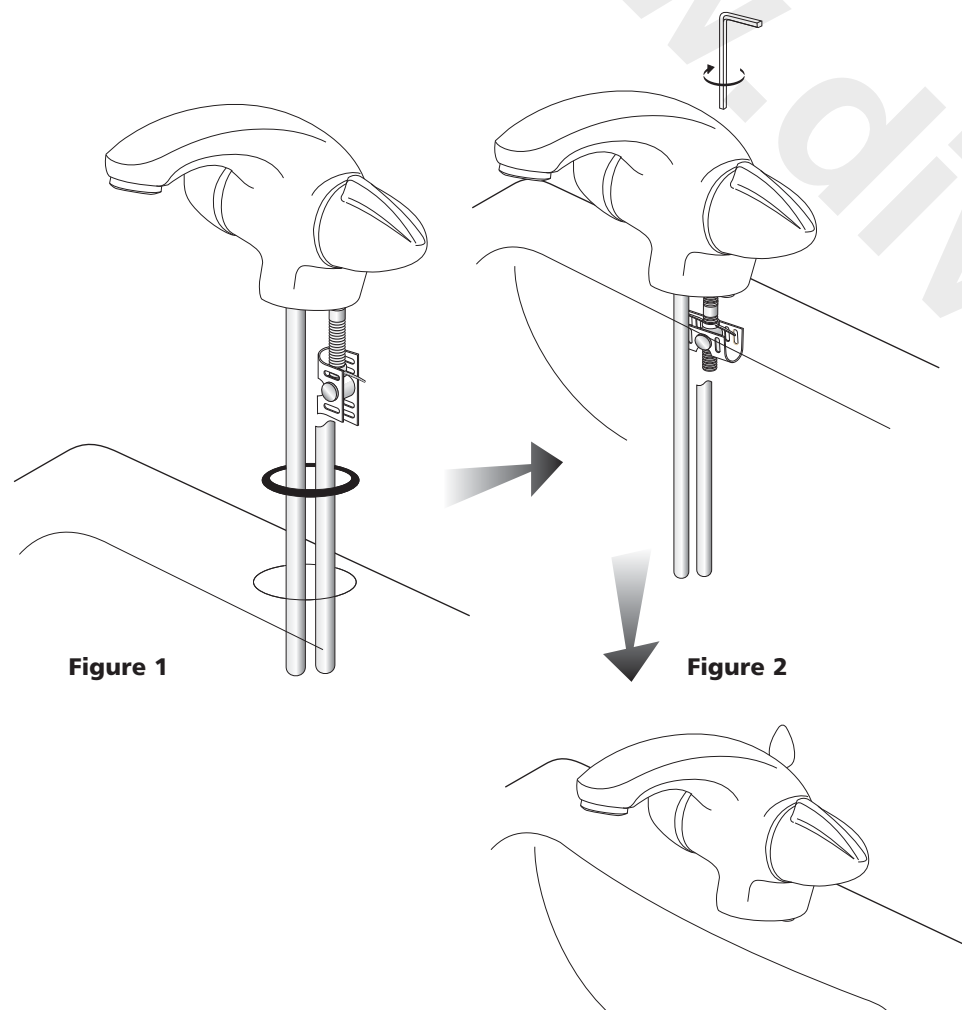
<b>½" Pillar taps</b>	<b>IRN 000</b>
<b>Monoblock basin mixer</b>	<b>IRN 101 (R010)</b>
<b>2 Hole bath filler</b>	<b>IRN 101</b>
<b>Monoblock bidet mixer</b>	<b>IRN 140</b>
<b>Monoblock kitchen mixer</b>	<b>IRN 000</b>
<b>Wall mounted shower</b>	<b>IRN 101</b>
<b>Wall mounted bath mixer</b>	<b>IRN 103,104,109</b>
<b>Monoblock bath filler</b>	<b>IRN 101 (R010)</b>
<b>Monoblock bath/shower mixer</b>	<b>IRN 103,104,109</b>
<b>2 Hole bath/shower mixer</b>	<b>IRN 103,104,109</b>

## BASIN AND BIDET INSTALLATION

Connect fixation bracket to the underside of the basin/bidet mixer body.

### THIS IS A LEFT HAND THREAD

Hold fixation bracket in the vertical position and place through the basin/bidet tap hole - ensuring that the 'O' ring remains above the basin/bidet platform, as this acts as a watertight seal between the two surfaces (Figure 1).



Once positioned correctly, tighten the fitting to the basin/bidet using the Allen key provided. (Retain the Allen key for future use) (Figure 2).

Once tightened, position the vertical waste rod through the same hole and connect this to the horizontal rod using the connector provided.

## MONOBLOCK KITCHEN MIXER INSTALLATION - E0206

Flush water through the pipework to remove debris etc. before connecting the fitting.

- Insert fitting into tap hole, with the 'O' ring seal above the platform, and the back plate washer, back plate and sleeve fixing nut under the platform (Figure 8).

- Tighten sleeve fixing nut.

The fitting of the spout to the body is a bayonet type fixation.

- Position the spout with the outlet nozzle facing the "10 o'clock" position so that the ball bearing engages with the groove in the body, (See Figure 9).

- Push the spout firmly into position and turn spout to the forward facing position, (See Figure 9).

- The spout should now move freely in the body.

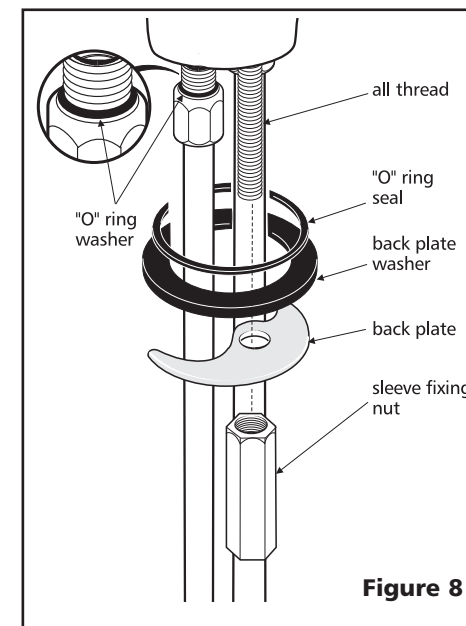


Figure 8

## FIXATION OF SWIVEL SPOUT

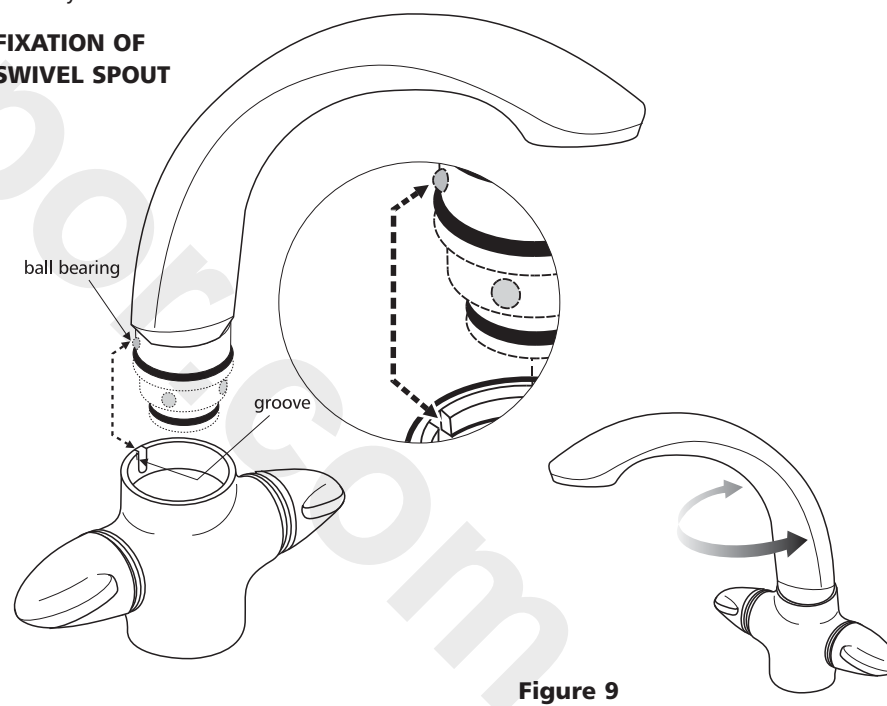


Figure 9

## WALL MOUNTED BATH/SHOWER MIXER & WALL MOUNTED SHOWER INSTALLATION - E0226 & E0216

Wrap the threads of the "cranked" connectors with PTFE tape or similar, then screw into the pre-fitted fittings on supply pipework using a suitable spanner.

Before final tightening, adjust each connector to ensure a perfect level at the same time maintaining the 150mm necessary for attaching the body. The fitting can accommodate pipe connections variable between 137 - 163mm in wall offset, see Figure 7.

Finally, screw on the shroud and place the fixation nut and fibre washer onto the connectors and tighten .

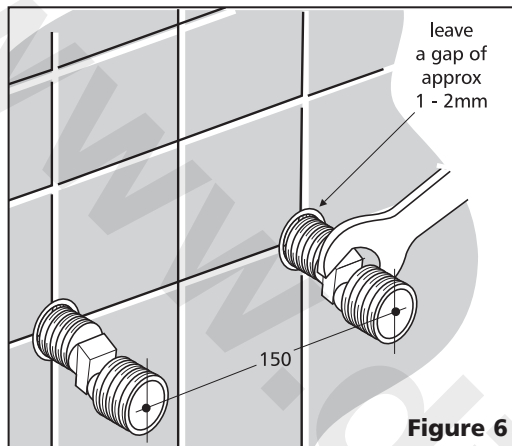


Figure 6

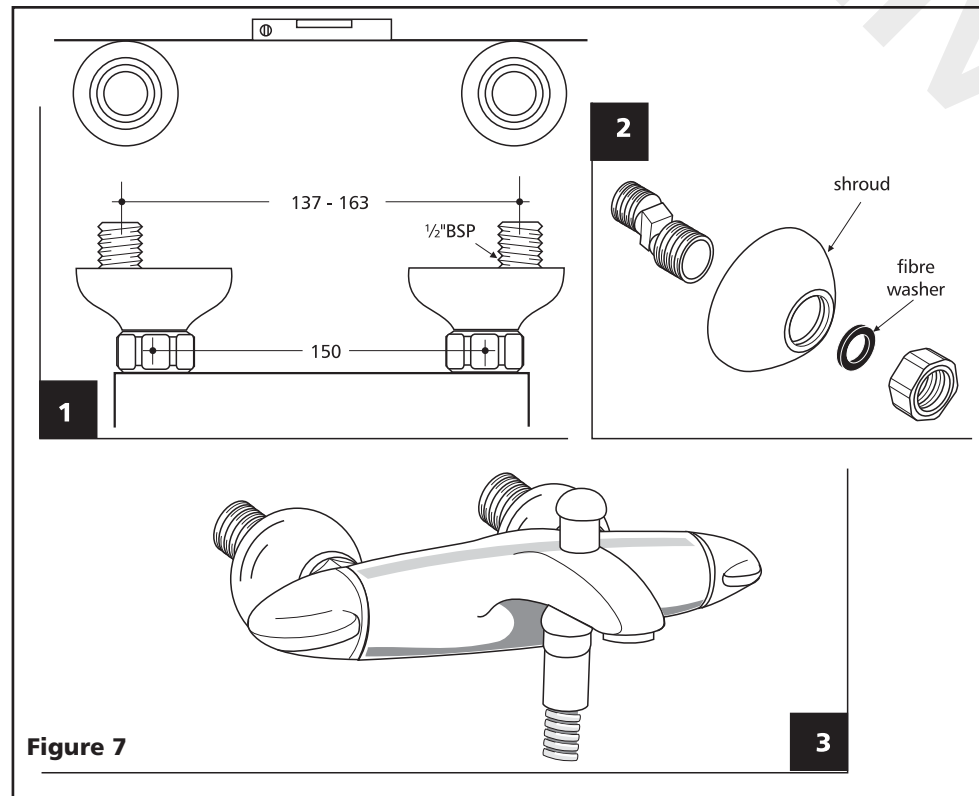


Figure 7

## BATH FILLER AND BATH/SHOWER MIXER INSTALLATION

The Academy monoblock bath filler and bath/shower mixer requires a bath without tap holes, and a 2" (50mm) diameter hole needs to be drilled in the rim. Before drilling the hole in the rim of the bath, the following should be considered.

1. **The fittings should not be fitted directly in line with the overflow of the bath as the pop-up waste and overflow assembly may foul the fitting.**

2. Ideal-Standard baths have additional reinforcement on the underside of the bath, located in all recommended tap positions. This reinforcement is necessary as it is possible that the bath fitting could be used as a handle and leverage could cause damage.

3. Select the tap position carefully if a shower screen is to be fitted or if the fitting is installed near to a wall.

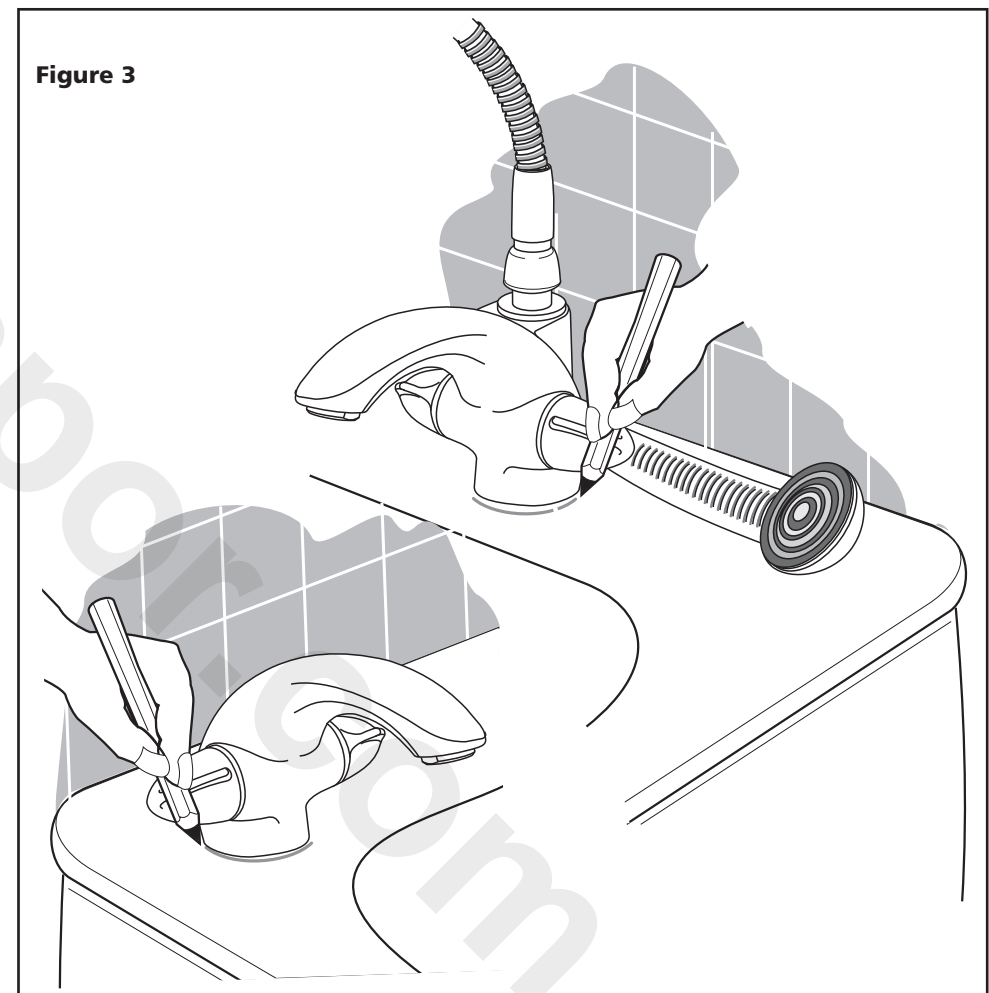


Figure 3

### FITTING TO THE BATH RIM

1. Place the monoblock bath filler / bath / shower mixer onto the bath rim and draw around the outline (Figure 3).
2. Drill a 2" (50mm) hole in the central position of the outline on the rim (Figure 4).
3. Insert the fitting into the hole and connect as in Figure 5.
4. Fit the waste and overflow.
5. Attach the shower hose and shower head in the case of the bath/shower mixer.

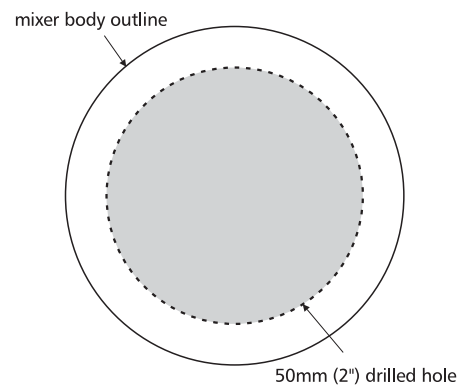


Figure 4

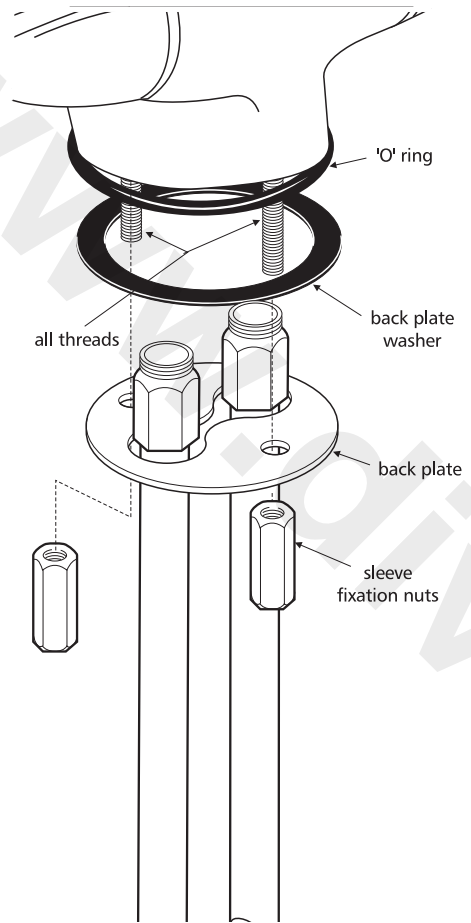


Figure 5

### WALL MOUNTED BATH/SHOWER MIXER & WALL MOUNTED SHOWER INSTALLATION - E0226 & E0216

In wall plumbing pipework should be 15mm copper. The distance between HOT and COLD supply pipework can be variable between 137 - 163, see Figure 7.

In wall connections should be 15mm to 1/2" female (not supplied).

