

PARTS LIST

The parts listed below are illustrated in the exploded drawings throughout the leaflet.

- | | |
|--|--|
| 1 Traditional crosshead handle index | 25 Fairline metal handle index ring (red or blue) |
| 2 Fixing screw | 26 Fairline metal handle (complete) |
| 2a Fixing screw (cross head) | 27 1/2" backnut |
| 3 Traditional crosshead handle | 28 3/4" backnut |
| 4 Academy handle carrier | 29 Sealing gasket |
| 5 Dominion lever handle index | 30 Fixing set for monoblock fittings |
| 6 Dominion lever handle | 31 Flexible inlet tail |
| 7 Affinity crosshead handle (complete) | 32 1/2" Armitage Shanks rubber valve internal headwork |
| 8 Affinity crosshead lever handle retaining grub screw | 33 1/2" Ideal-Standard rubber valve internal headwork |
| 9 Affinity crosshead handle removable pin | 34 Washer kit for rubber valve headwork |
| 10 Affinity crosshead leverhandle carrier | 35 1/2" SE ceramic disc cartridge anticlockwise close |
| 11 Affinity crosshead handle bearing washer | 36 1/2" SE ceramic disc cartridge clockwise close |
| 12 Affinity lever | 37 Multiport cartridge replacement kit |
| 13 Affinity lever handle (complete) | 38 Multiport cartridge sealing washer |
| 14 Affinity single lever handle carrier locator | 39 Multiport cartridge retaining nut - Affinity |
| 15 Affinity single lever handle carrier | 40 Handle retaining nut (for Multiport) |
| 16 Grub screw | 41 Swivel spout o-ring set No 1 |
| 17 Affinity single lever handle | 42 Swivel spout o-ring set No 2 |
| 17a Affinity single lever | 43 Swivel spout o-ring set No 3 |
| 18 Fairline acrylic handle cover cap | 44 Swivel spout o-ring set No 4 |
| 19 Fairline acrylic handle index ring (red or blue) | 45 Swivel spout o-ring set No 5 – Affinity |
| 20 Pan head screw | 47 Academy handle |
| 21 Fairline acrylic handle carrier | 48 Spout fixation grub screw – Affinity |
| 22 Drive insert | 49 Tantodisc/Tantodisc Uno metal handle |
| 23 Fairline acrylic handle (complete) | 50 Handle index blue |
| 24 Fairline metal handle cover cap | 51 Handle index red |

Product care

Fittings should be sponged regularly with water containing mild washing up liquid, rinsed with clean water and dried with a soft cloth. Harsh cleaners should not be used. Always consult the cleaner manufacturer's instructions.

THE Kitchen™
WORKS

CUSTOMER CARE HELPLINE

0870 1296085

FAX LINE 01482 499611

e mail : ukcustcare@IdealStandard.com

The Kitchen Works pursue a policy of continuing improvement in design and performance of its products.

The right is, therefore, reserved to vary specifications without notice.

THE Kitchen™
WORKS

by Ideal Standard & Armitage Shanks

Installation Guide



Installer:
Please leave this instruction
for the user

GENERAL

Under the UK Water Regulations (1999) it is not normally permitted to connect water mixer fittings to supplies from different sources (i.e. cold from mains and hot from storage) **without** installing mechanical backflow prevention devices such as double check valves on the supplies.

For this reason most Ideal-Standard & Armitage Shanks single spout kitchen fittings have been

designed to prevent mixing of the hot and cold streams until the water is discharged from the nozzle. This type of design is known as "Twinflow".

In the event that a single flow fitting is purchased, it is recommended that the installer fit a double check valve to hot & cold water supplies.

FIXATION

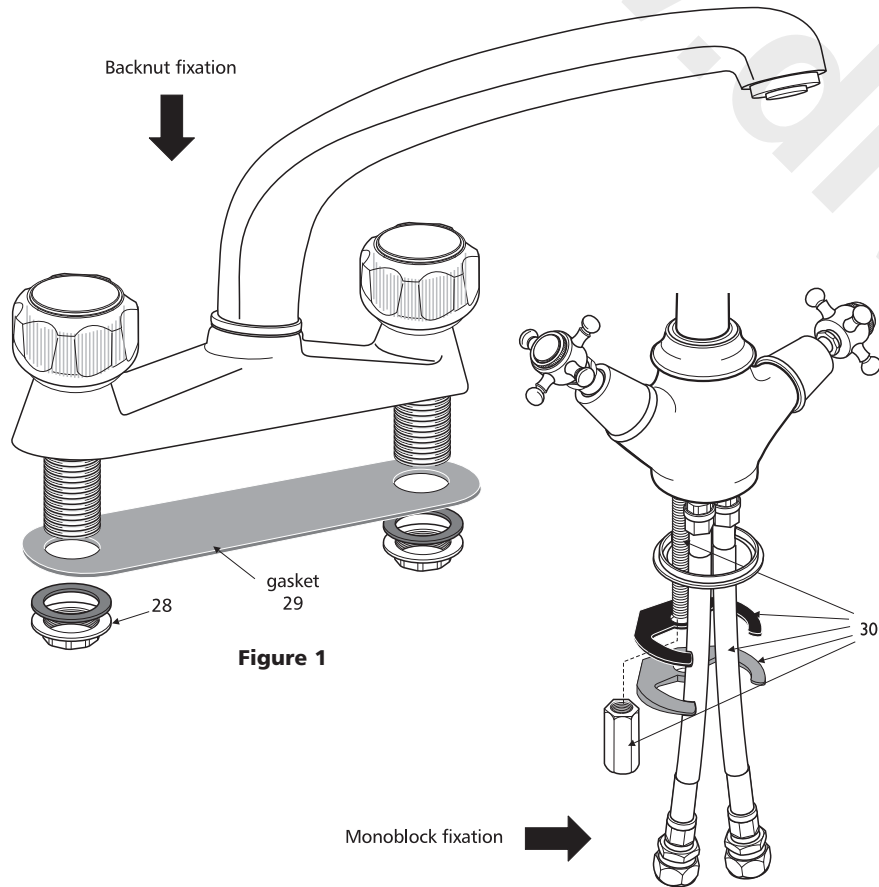


Figure 1

Figure 2

SPOUT O-RING KITS

The swivel spout fittings covered by this instruction are listed below together with details of the O-ring kits employed

Swivel spout Fitting	Code	O-ring kit
Fairline Monoblock Mixer, Tubular Spout, Acrylic Handles	S7913AA	1
Fairline Monoblock, Acrylic Handles	S7905AA	1
Fairline Monoblock, Metal Handles	S7906AA	1
Fairline Monoblock CD	S7914AA	1
Tantadisc Uno Monoblock	E6816AA	2
Elixir CD Monoblock, Lever Handles	E7155AA	2
Academy Monoblock	E0206AA	3
Tuscany Monoblock	E6017AA	4
Provence Monoblock	E9161AA	4
Ardenne Monoblock, Lever Handles	E6043AA	2
Affinity Monoblock, Cross Handles	E6135AA	5
Affinity Monoblock, Lever Handles	E6136AA	5
Fairline 2 Hole Deck Mixer, Tubular Spout, Acrylic Handles	S7923AA	1
Fairline, 2 Hole Deck, Acrylic Handles	S7915AA	1
Fairline, 2 Hole Deck, Metal Handles	S7916AA	1
Fairline 2 Hole Deck CD	E7811AA	1
Elixir 2 Hole Bridge Mixer, Acrylic Handles	E7824AA	2
Elixir 2 Hole Bridge, Lever Handles	E7825AA	2
Provence 2 Hole Bridge Mixer, Cross Handles	E9091AA	4
Provence 2 Hole Bridge Mixer, Lever Handles	E9092AA	4
Affinity 2 Hole Bridge, Cross Handles	E7833AA	5
Affinity 2 Hole Bridge, Lever Handles	E7834AA	5
Affinity Single Lever Mixer	E7836AA	5

VALVE REPLACEMENT

It will be necessary to ascertain the type of mechanism employed to operate the fitting but it will be one of the following types.

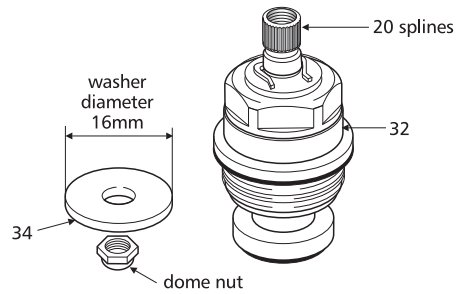
If the handle turns more than one revolution then the mechanism will be a rubber valve headwork.

If it operates by a quarter turn from closed to full open the valve mechanism will be a 1/2" SE Ceramic Disc Cartridge.

If the fitting operates with a single lever the mechanism will be the Multiport cartridge.

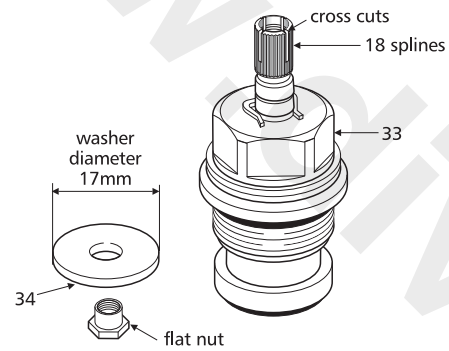
To replace the cartridge proceed as follows:

1. Turn off water supplies.
2. Remove the handle – see "Handle Options" pages.
3. Remove any handle carrier from the valve mechanism if appropriate.
4. Remove the valve as show below.
5. Fit replacement valve by reversing the above process.



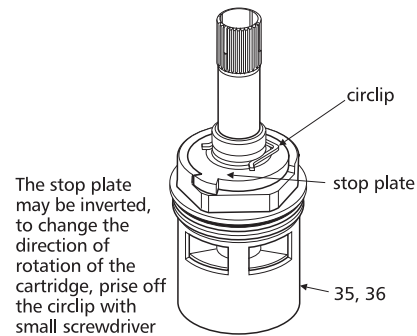
1/2" Armitage Shanks Rubber valve internal headwork

Figure 5



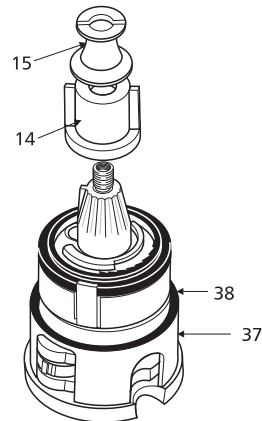
1/2" Ideal Standard Rubber valve internal headwork

Figure 6



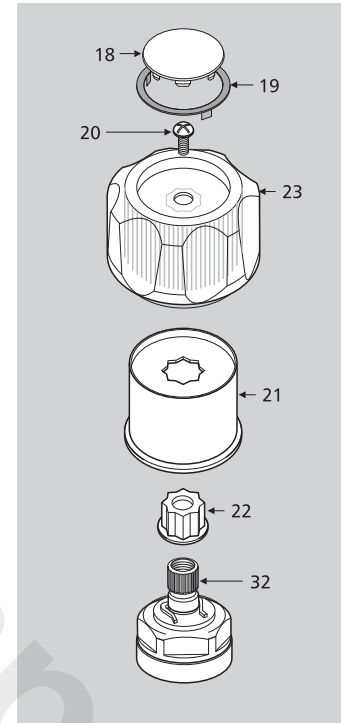
1/2" SE Ceramic Disc Cartridge

Figure 7

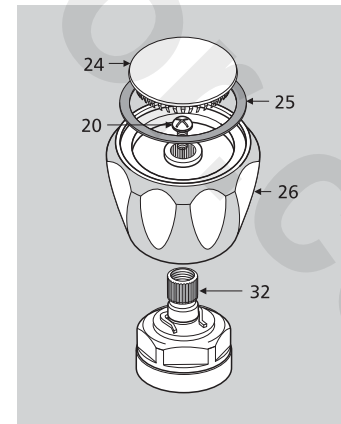


Multiport cartridge - small

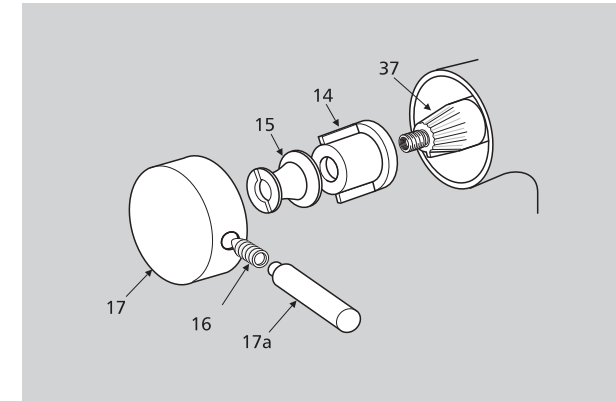
Figure 8



Fairline acrylic handle

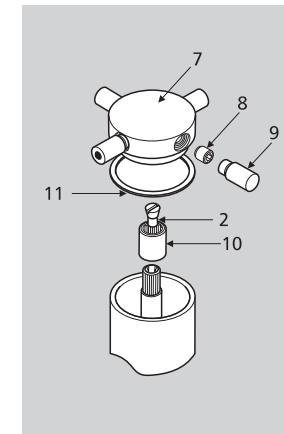


Fairline metal handle



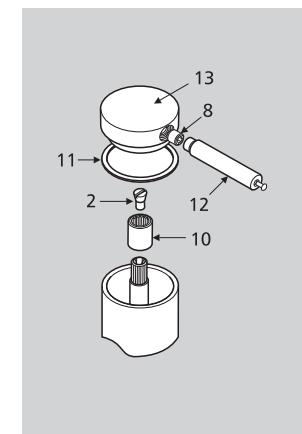
Unscrew the lever (17a) to gain access to the lever fixation grub screw. Unscrew the grub screw using the Allen key provided and the handle will pull off.

Affinity single lever handle



One of the four pins does not have a red or blue button on the end. This pin (9) unscrews to give access to the handle retaining grub screw (8). Unscrew the grub screw using the Allen key provided and handle will pull off.

Affinity cross head handle



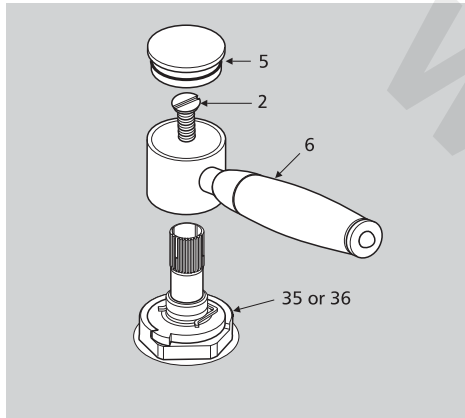
Unscrew lever (12) to reveal grub screw (8) which when undone, allows handle removal.

Affinity lever handle

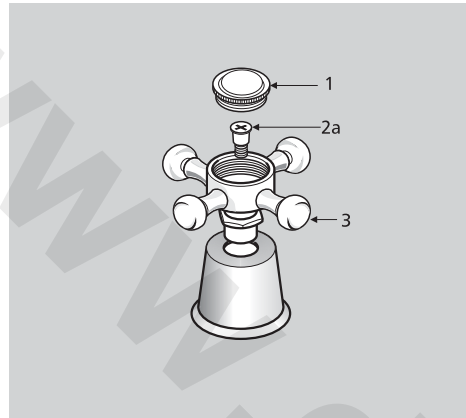
HANDLE OPTIONS

Within the Kitchenworks range, there are a number of different handle fixation arrangements. The following diagrams will assist with identification and maintenance.

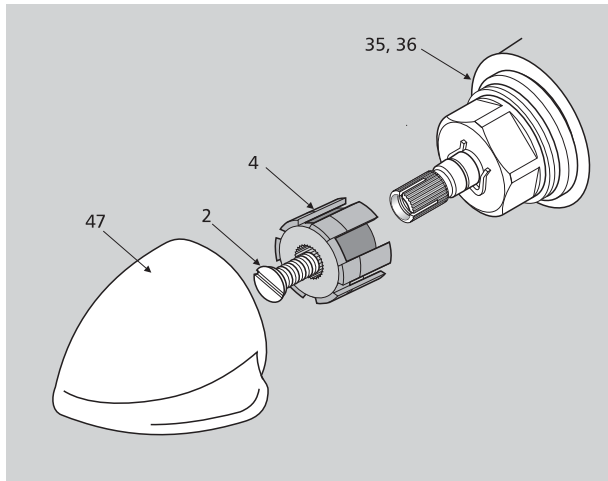
HANDLE OPTIONS (continued)



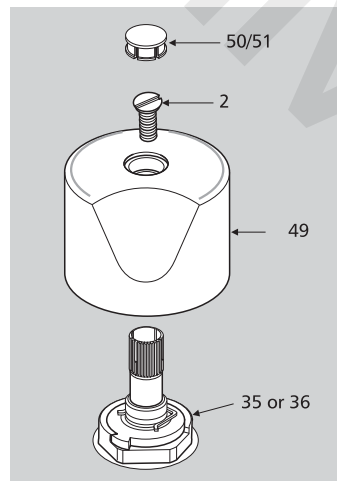
**Ardenne/Elixir/Provence
lever handle**



**Fairline/Provence/Tuscany
Cross head handle**



Academy handle



**Tantodisc/Tantodisc Uno
metal handle**

Most swivel spouts use the bayonet principle to fix the spout to the body.

- Position the spout with the outlet nozzle facing the 10 o'clock position so that the ball bearing engages with the groove in the body Fig 3.
- Push the spout firmly down until it is fully home and turn it to the facing position.

For replacement O-ring sets see table

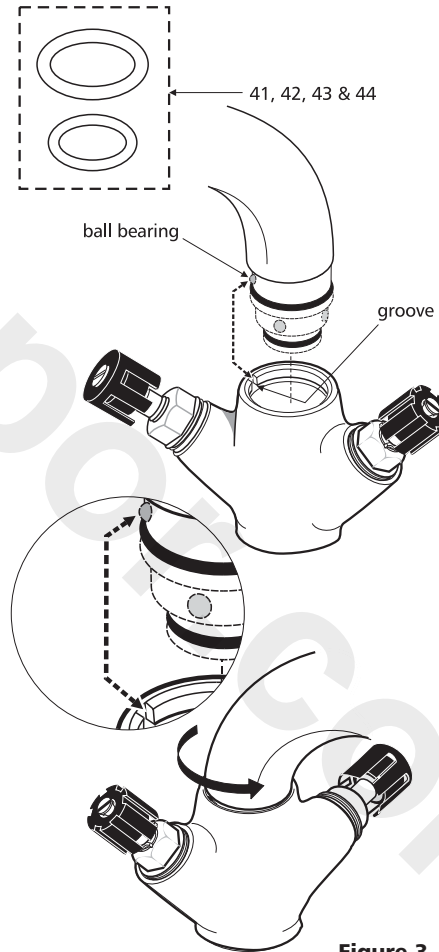


Figure 3

SPOUT FIXATION

Affinity version

- Ensure grub screw is not projecting into the bore.
- Engage the spout into the body and push down until it is fully engaged in the body.
- Loosley tighten the grub screw using a 3mm A/F Allen key and then unscrew half a turn to ensure free spout rotation.
- The fitting is designed to have the grub screw facing away from the user in the installed position.

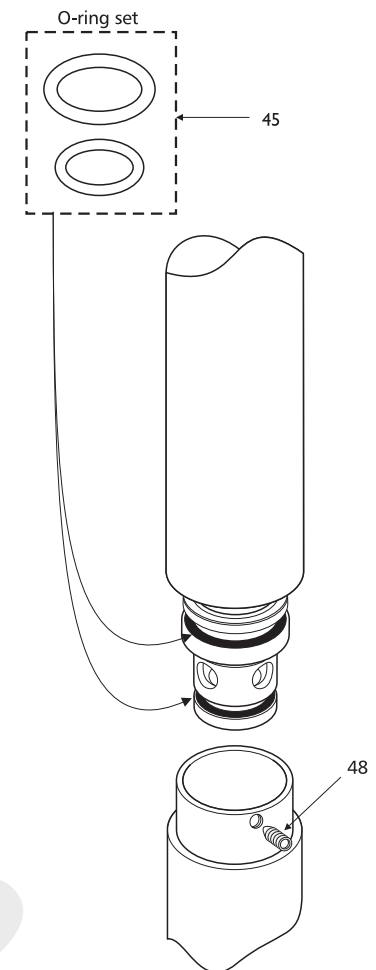


Figure 4