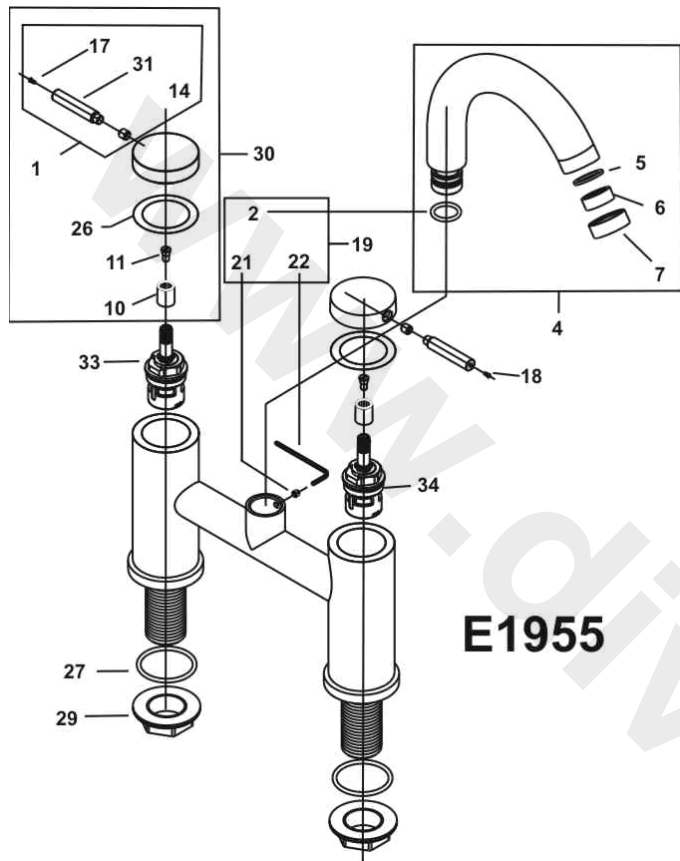


<p>



E1955

Ref.	Description	Part No.
1	QT lever fixation kit (14,17,18 & 31)	E960039AA
2	Spout O'ring seal	109006?
4	Spout complete	E960181AA
4a	Replacement spout (M24 version)	E960181AA
5	Rubber washer 1.6mm thick	-
6	23mm flow straightener	E950655AA
6a	FLOW STRAIGHTENER M24 X 1 & KEY (New from 2007)	A960412NU
6b	Aerator (suitable for post 2007 spouts)	A960386NU
7	M24 flow straightener housing - older fittings	E907001GN
10	Drive insert (splined)	E960584NU
11	Conical screw	A91831914
14	M6x6 grub screw (requires 3mm A/F Allen key) (order item 1)	E918300
17/18	INDICATOR PIN PACK	S960059NU
19	Spout seal repair kit	E960005AA
21	M4x4 grub screw	E91830267
22	2mm A/F hex Allen key	103587
26	Bath handle bearing washer	E913703
27	O'ring seal	-
29	G/4" backnut	EESM40710067
29a	REPLACEMENT 3/4" BRASS BACKNUT	E960111NU
30	Bath QT lever handle complete - pair	E960044AA
31	QT lever peg (order item 1)	-
33	3/4 SE ceramic disc cartridge anticlockwise close (hot)	A954352NU11
34	3/4 SE ceramic disc cartridge clockwise close (cold)	A954353NU11
34a	SE CERAMIC DISC CARTRIDGES L/FR PAIR ** Spares **	S960023NU

NB -- colour/finish options

Chrome = AA