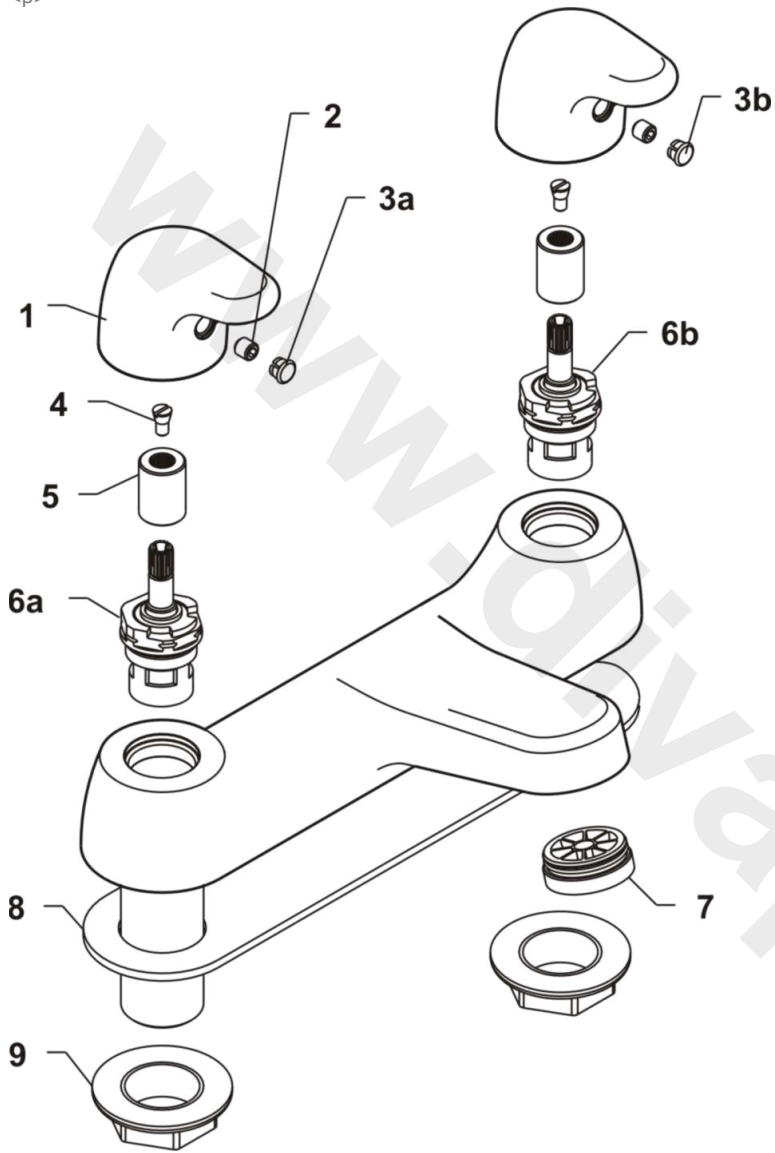


<p>



Ref.	Description
1	Handle
2	Grub screw
3a	RED INDEX BUTTON 8MM
3b	BLUE INDEX BUTTON 8MM
4	Sleeve retaining screw
5	CERAPLAN LEVER FIXING BUSH
6a	3/4 SE CERAMIC DISC CART A/CL CLOSE LOW FRICTION
6b	3/4 SE CERAMIC DISC CART CL CLOSE LOW FRICTION
6c	SE CERAMIC DISC CARTRIDGES L/FR PAIR ** Spares **
7	Flow straightener
8	BASE GASKET
9	3/4in backnut

Part No.
E960562AA
E91830067
E907022NU
E907023NU
A91831914
E911112NU
A954353NU11
A954352NU11
S960023NU
E960145NU
E911706NU
EESM40710067

**NB -- colour/finish options**

Chrome = AA