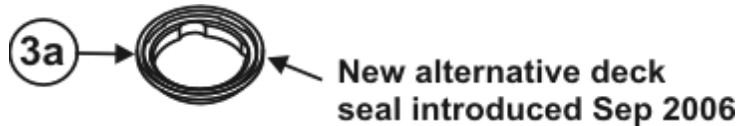
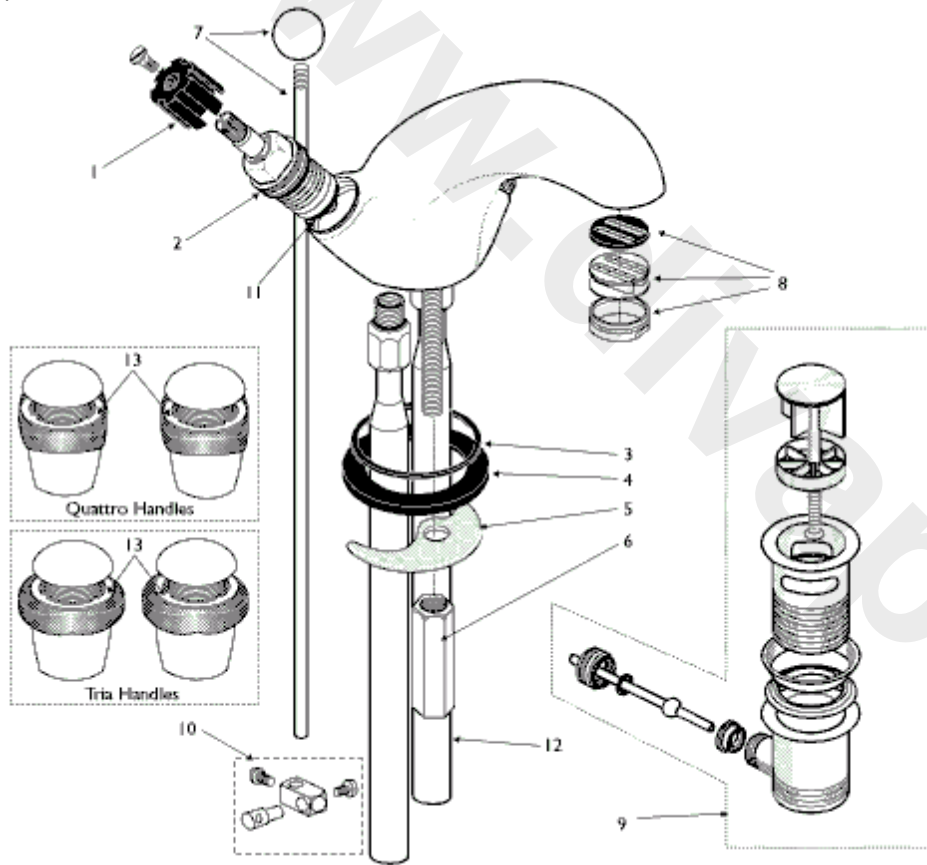


<p>



Ref.	Description
1	Handle carrier
2	1/2 IS rubber valve internal headwork inc screw
3	'O' ring washer
3a	CENTRAL SEALING GASKET AD=42.5
4	Fixing kit (3,4,5 & 6)
7	Pop-up knob
7a	Pop-up rod stainless steel for chrome
7c	Pop up rod gold
8	Flow straightener
9	Pop-up waste complete
10	Pop-up rod fixing clip
11	Replacement valve washer pack
12	Pair of M12 inlet tails complete with o-rings
13R	Index ring RED
13B	Index ring BLUE
13a	HANDLE SCREW M8XM4 QUATTRO

Part No.
A922539
A951130NU11
E960461NU
A961302NU
E950607NU
E960545AA
E960540NU
E919574--
A962974--
E950612--
A963404NU
A961672NU
E960517NU
E910031NU
E910030NU
E960609NU

NB -- colour/finish options

Chrome = AA
 Gold = AZ
 White = AC