

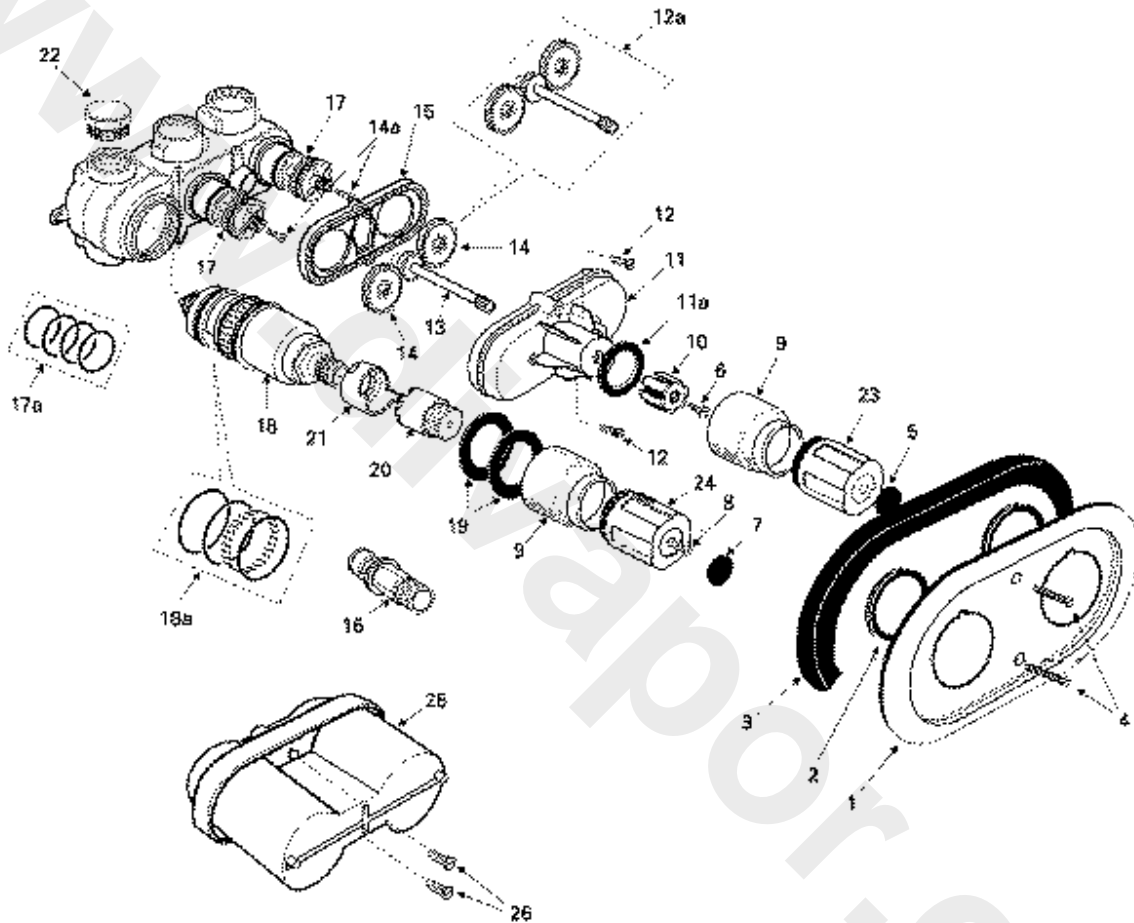
TREVI
BOOST
E9005 (900) boost built-in

[Boost Help](#)

[Installation Instructions](#)

[Trevi Range Help](#)

A2172AA



The correct replacement cartridge for the single function boost shower head is 964206---

Ref.	Description	D	Part No.	Old Part No.
1	Cover plate complete	-	A963066--	-
1a	Cover plate complete CP	-	A953154AA11	-
2	Cover plate sealing rings	-	A962601NU	96260100
3	Foam gasket	*	-	-
4	Cover plate fixing screw	-	A918434--	-
5	Cap for volume control handle	-	A962585NU	96258500
6	Screw for volume control handle	-	E918322NU	91855514
7	Cap for temperature control handle	-	A907294LJ	99106900
8	Screw for temperature control handle	-	A918416	91841600
9	Shroud	-	A962599--	-
10	Volume control handle carrier	-	A922539	92253900
11	Clutch cover	*	-	-
11a	Clutch cover sealing washer	*	-	-
12	Clutch cover fixing screw	*	-	-
13	Clutch drive shaft	-	A953155NU11	96306700
14	Gears for clutch	*	A960489NU	-
14a	Cone screw	*	-	-
15	Back plate for clutch assembly	*	-	-
16	Flushing outlet	-	A962927NU	96292700
17	1/2" cartridge cold	-	A952501NU11	A952501nu11
17a	O rings for cartridges	*	-	-
18	Booster cartridge	-	A963348AA	96334800
18a	Set of O rings and screens for booster cartridge	-	A963069NU	96306900
19	Shroud spacer washer	-	A911760	-
20	Temperature handle carrier	-	A962589NU	96258900
21	Temperature handle stop (supplied with #20)	*	-	-
22	Blanking plug	-	A91855414	99101400
23	Volume control handle	-	A962586--	-
24	Temperature control handle	-	A963347AA	96334700
25	Mounting template/plaster guard	*	A923146	-
26	Mounting template/plaster guard screws	*	-	-
26a	Trevi Boost conversion kit	-	A963351--	-
27	Shower Hose	-	E4745--	-

NB -- colour/finish options: **Chrome = AA, Light Gold = AZ, White = AC**