

# SPECIFICATION SHEET

**COLLECTION:** ELECTRIC SHOWERS

**PRODUCT CODE:** ELS-ELE-95-BLS



**DESCRIPTION:**

a fashion-led, modern design electric shower with soft press illuminated buttons, start/stop switch, power on indicator, low pressure indicator and phased shutdown feature which helps to reduce limescale build-up  
supplied complete with slide rail kit  
anti-kink chrome hose  
easy clean shower head with 5 spray patterns  
colours available:  
bronze  
black speckled  
grey  
metallic  
8.5kW and 9.5kW versions available  
2 year guarantee  
cold feed easy plumb installation  
BEAB, CE and BS approved

**FINISH:**

Black

**MINIMUM OPERATING PRESSURE:**

1.0 bar MP



tel: 01934 744466  
email: sales@vado.com  
www.vado.com

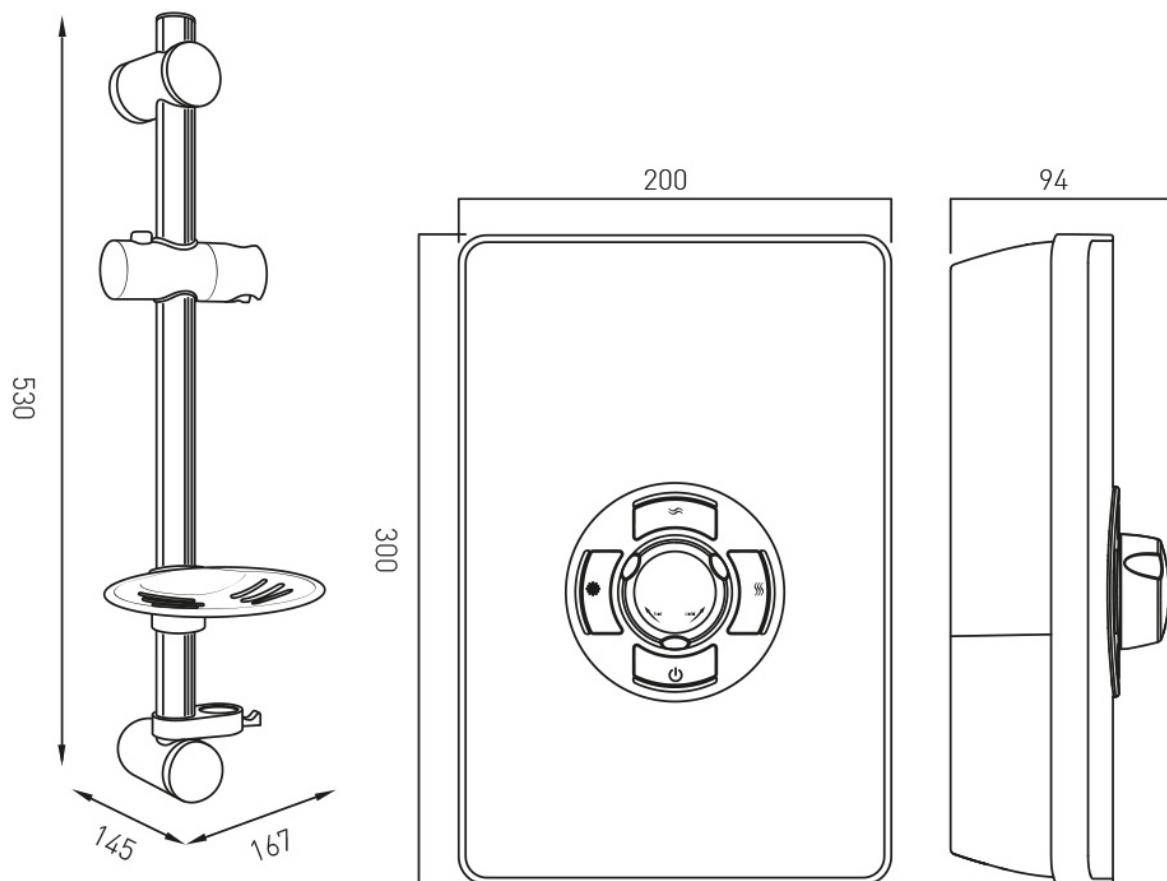
**where inspiration flows**  
taps | showering | accessories



# TECHNICAL DRAWING

**COLLECTION:** ELECTRIC SHOWERS

**PRODUCT CODE:** ELS-ELE-95-BLS



tel: 01934 744466  
email: sales@vado.com  
www.vado.com

**where inspiration flows**  
taps | showering | accessories

