

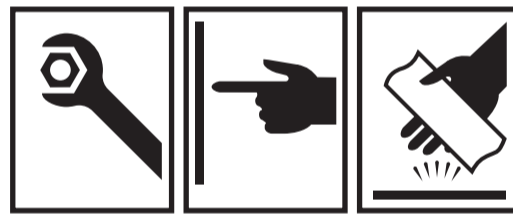
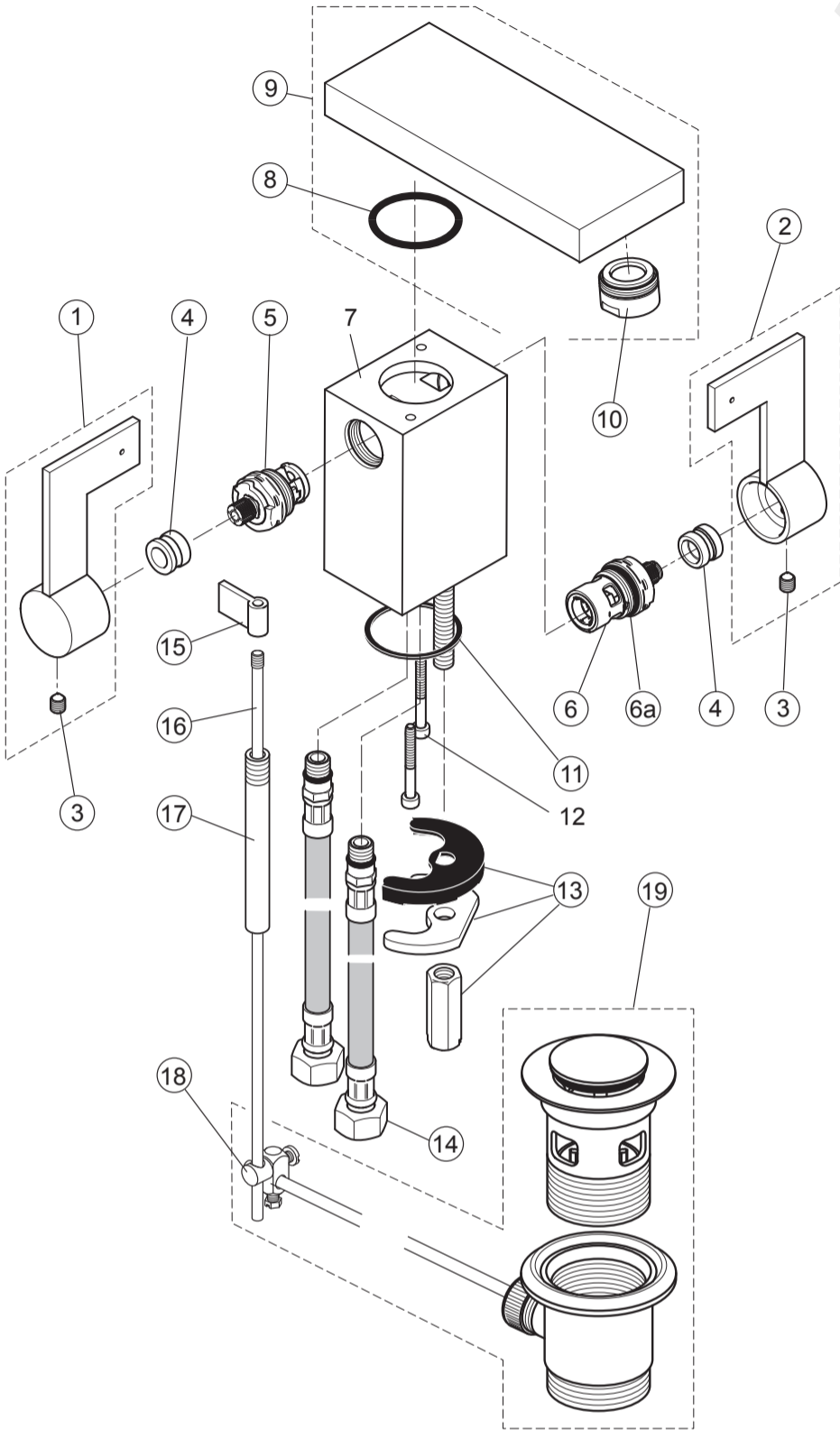


Spare Parts / Ersatzteile / Pièces de rechange / Pezzi di ricambio / Piezas de requesto /  
 Parte de reposição / Reserveonderdelen / Reservdelar / Reservedeler / Varaosat / Vraosat /  
 Varahlutir / Ανταλλακτικά / Yedek parçalar / Náhradní díly / Náhradné diely / Nadomestni deli  
 / Резервни части / Запчасти / Części zapasowe / Pieśe de schimb / Rendelhető alkatrészek  
 / Зпасні частини / Reservni delovi / Резервни делови / Резервни делови / Atsarginių  
 dalių / Tellitavad varuosad / Rezervju daļu

XX = AA, AD ...

Position

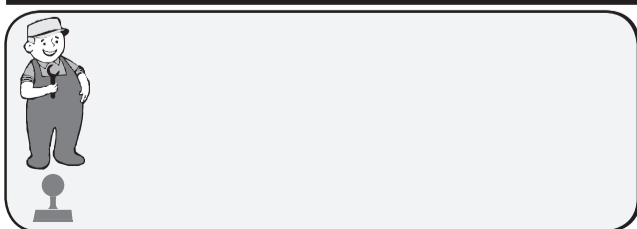
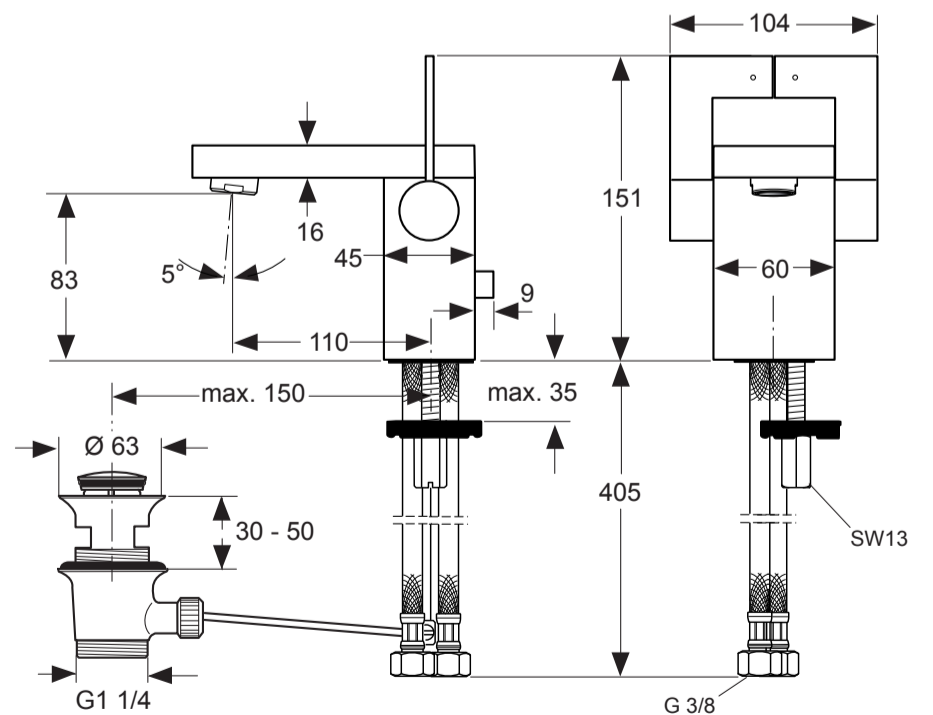
- |                   |                   |
|-------------------|-------------------|
| 1 = F 960 410 AA  | 10 = A 963 907 AA |
| 2 = F 960 409 AA  | 11 = F 960 185 NU |
| 3 = A 860 691 NU  | 13 = A 960 304 NU |
| 4 = A 860 424 NU  | 14 = A 860 794 NU |
| 5 = A 860 420 NU  | 15 = F 960 685 AA |
| 6 = A 860 421 NU  | 16 = A 963 556 NU |
| 6a = A 961 640 NU | 17 = F 960 693 NU |
| 8 = A 860 422 NU  | 18 = H 960 103 AA |
| 9 = A 860 423 AA  | 19 = H 3699 AA    |



# JADO

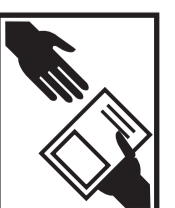
**CUBIC**  
 F 1447 .. F 1448 ..

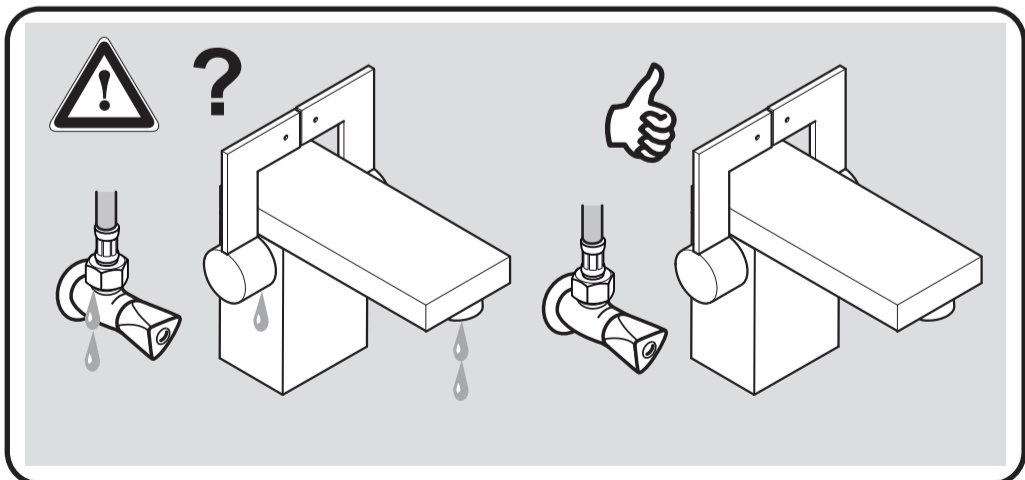
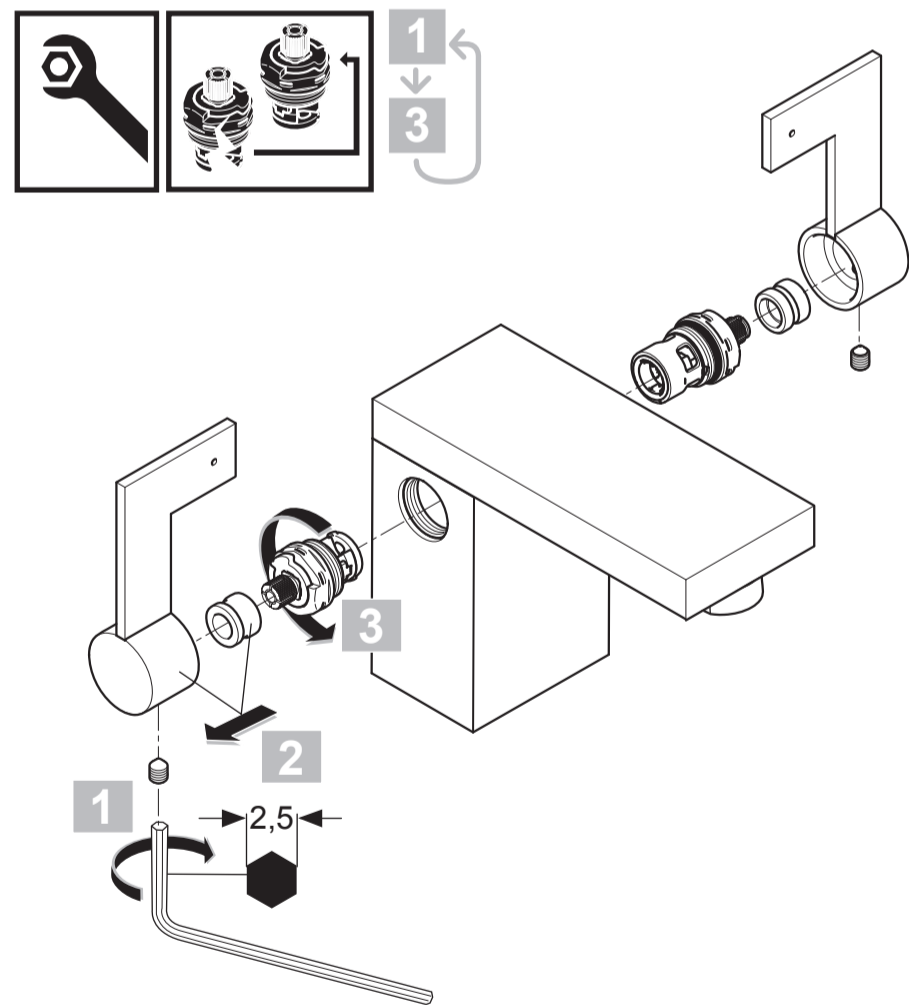
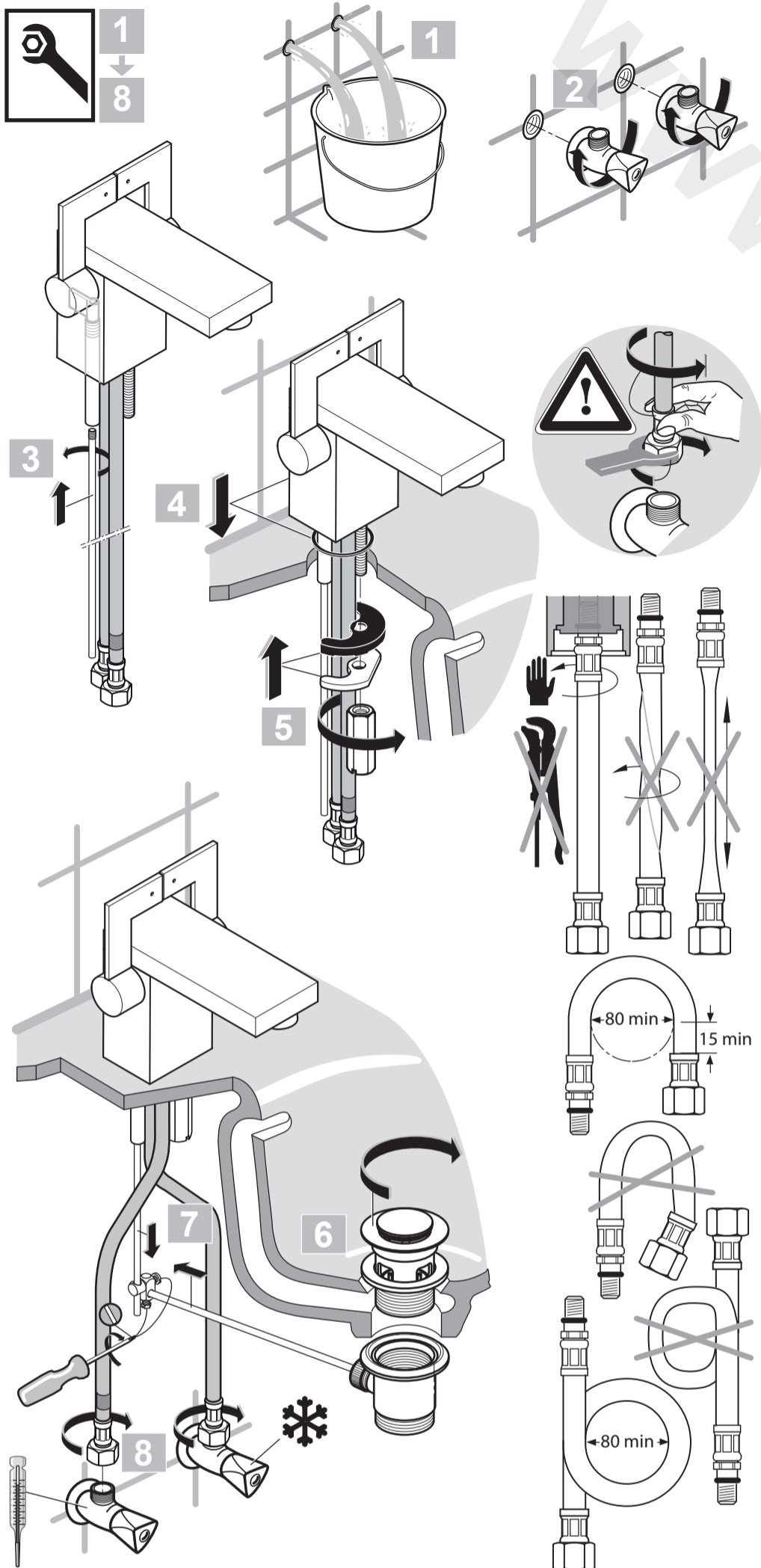
0416 / A 865 675  
 (+ A 865 613)  
 Made in Germany



Ideal Standard International NV  
 Corporate Village - Gent Building  
 Da Vincilaan 2  
 1935 Zaventem  
 Belgium

[www.idealstandardinternational.com](http://www.idealstandardinternational.com)





	P	bar				Q (3 bar)
	T	°C				l/min 13