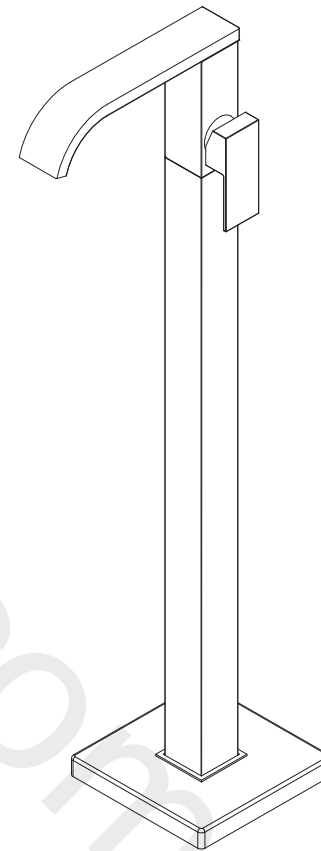


MODE

BATHROOMS

FLEX FREESTANDING BATH FILLER



Exclusively available @

VictoriaPlum.com

VictoriaPlum.com

Freestanding Bath/Shower Mixer

Installation and Maintenance Instructions

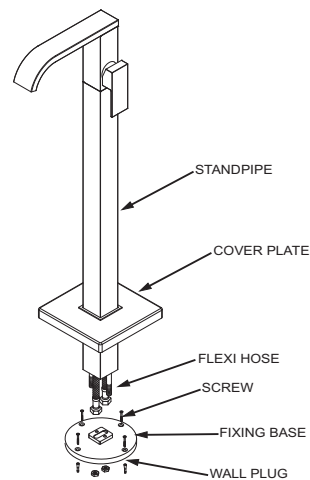
REMOVING OLD TAPS OR MIXER

1. A tap spanner may be required.
2. Ensure the mains water supply is turned off at the stopcock or service valves.
3. After disconnecting the water supply, drain the pipework.
4. Unscrew the nuts connecting the water pipes to the fittings.
5. Be careful to save and inspect the fibre washer between the base of the tap tails and the water pipe.

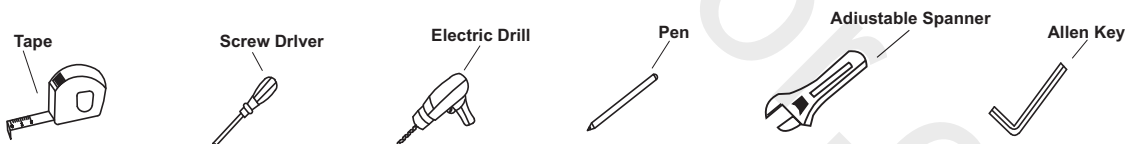
FITTING YOUR NEW MIXER

Fitting your new mixer is easy when you follow these simple step-by-step instructions.

1. Carefully remove the product from the packaging to prevent scratches, wearing cotton gloves if possible.
2. Identify all components.



3. Prior to installation, flush out the pipework thoroughly to remove debris.
4. Turn off the water supply.
5. Tools you might need:



6. Place the fixing plate on the floor in the required position and mark the location for each hole.
7. Drill six holes in the floor and place the wall plugs into the holes.
8. Connect the flexible hoses to the hot and cold water supply pipes and then match the holes.
9. Ensure the taps are in the off position.
10. Turn on the water supply and check for leaks around the hoses.
11. Line the fixing plate up with the six wall plugs, ensuring the tap is in the correct position.
12. Tighten the six screws until the standpipe is held securely.
13. Tighten the nut to secure onto the fixing plate.
14. Slide the cover plate down over the fixing plate.
15. Test the tap for leaks.
16. Installation is complete.

AFTERCARE INSTRUCTIONS

Whilst modern plating techniques are used in the manufacturing of this product, the surfaces will wear if cleaned incorrectly. Ensure the product is cleaned with a soft cloth and clean water. The use of any abrasive agents or materials will invalidate the guarantee.