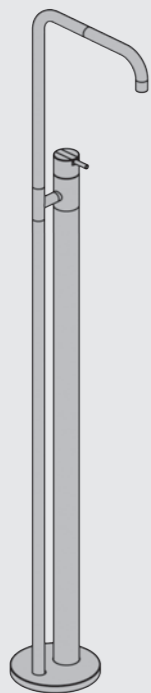


VOLA FS2

Fitting instruction
Montageanleitung
Monteringsvejledning

Monteringsvægledning
Montage hanledning
Manuel de montage



www.vola.com

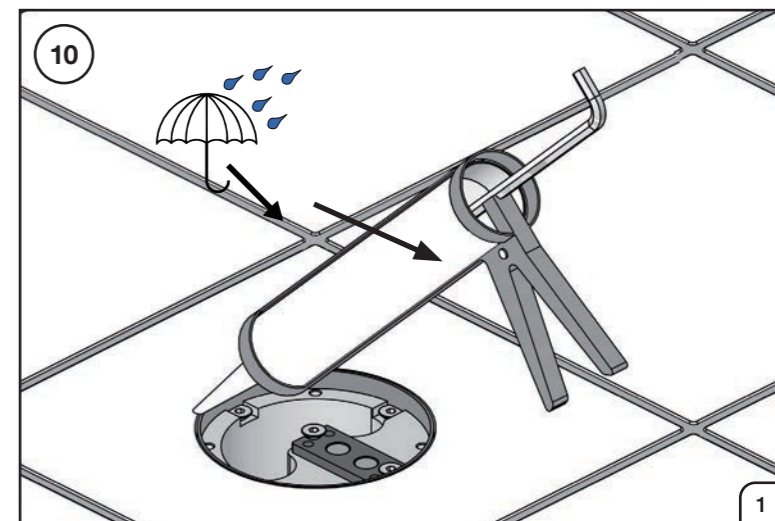
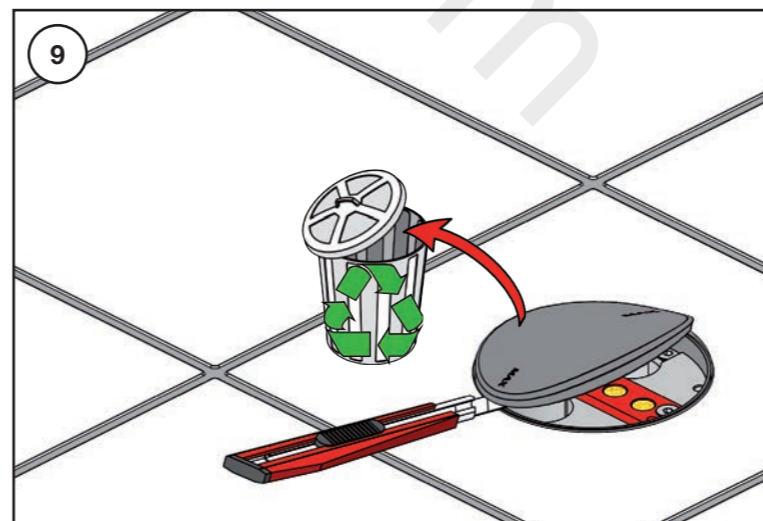
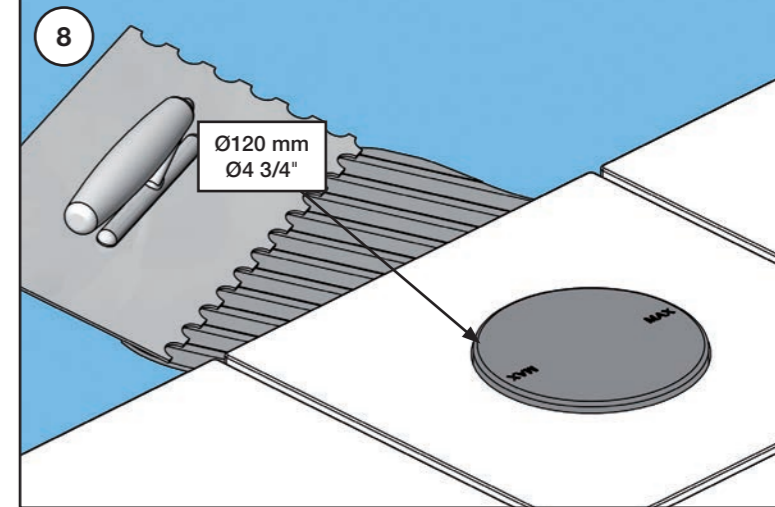
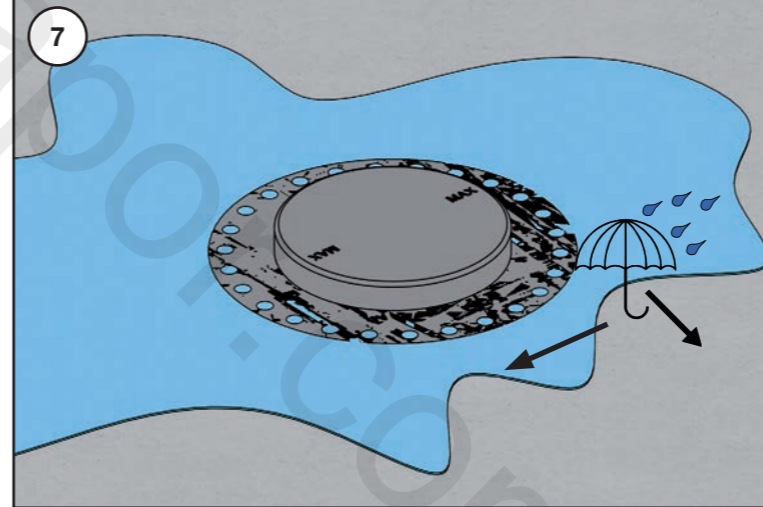
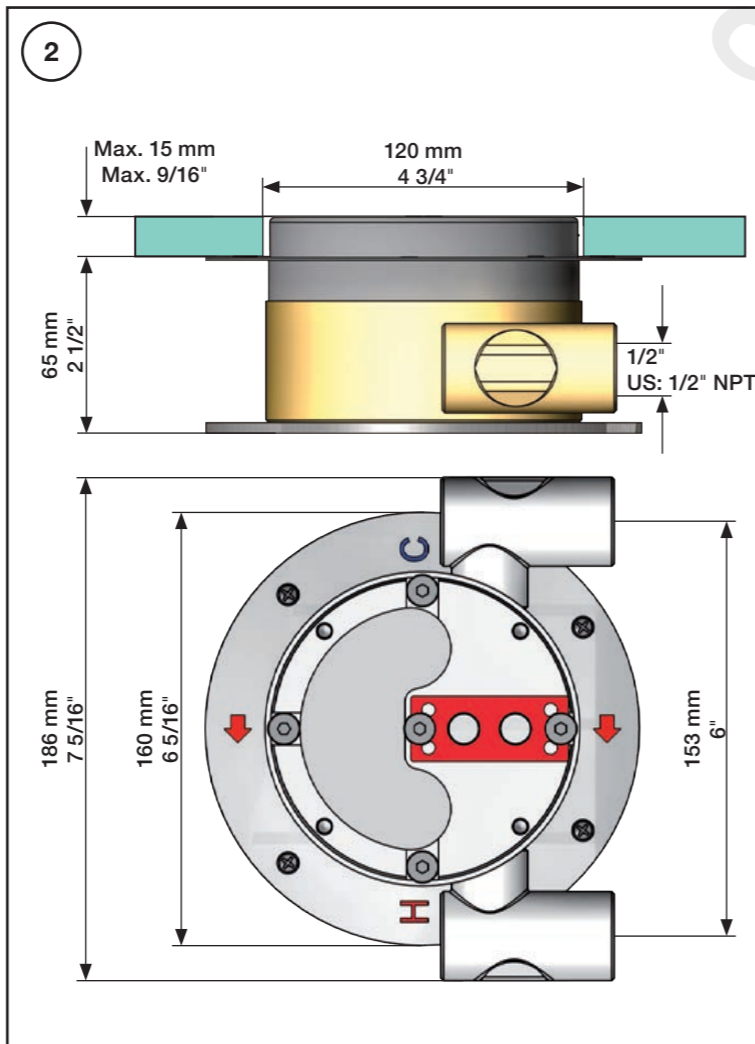
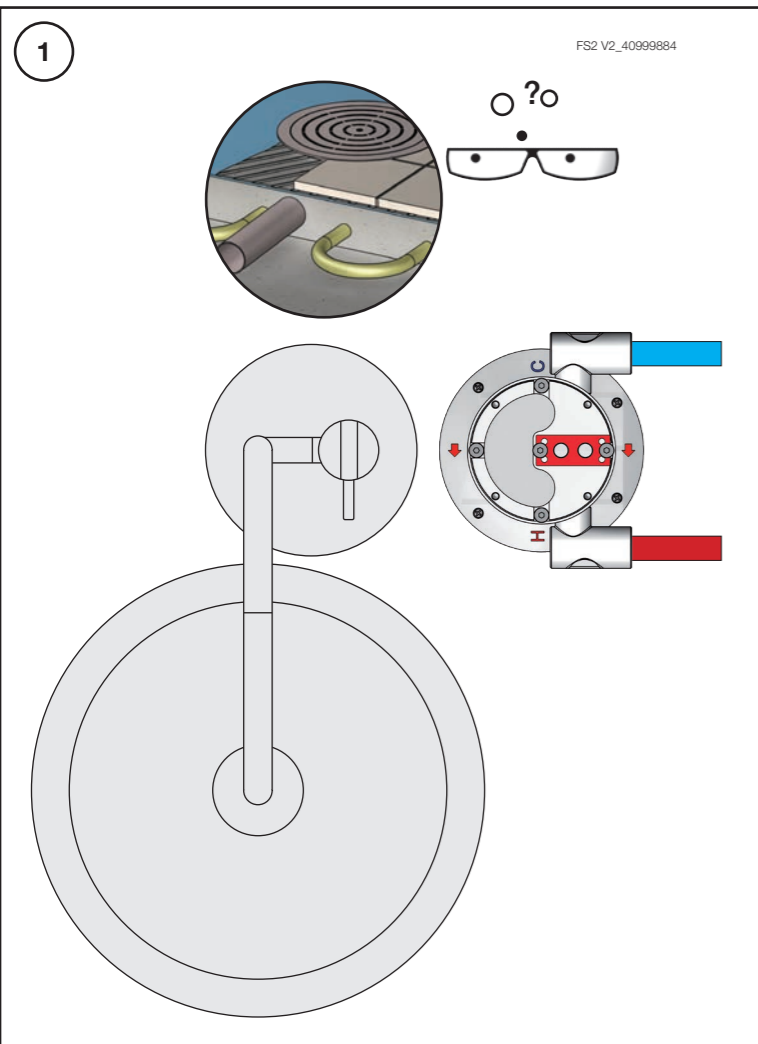
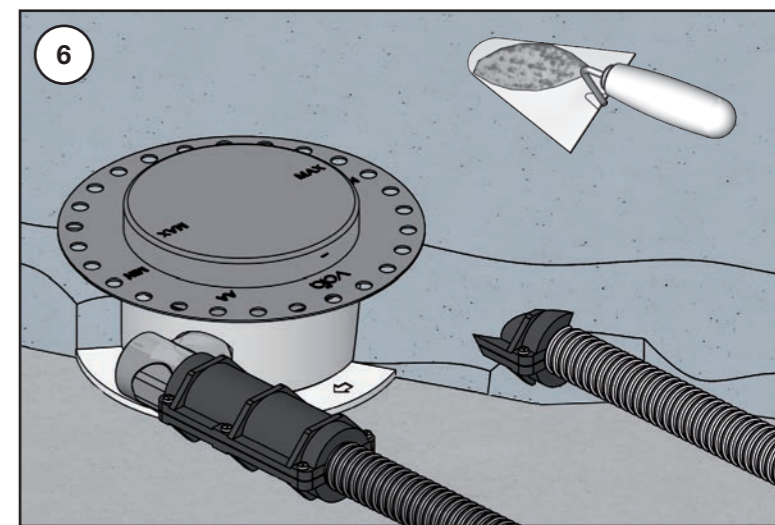
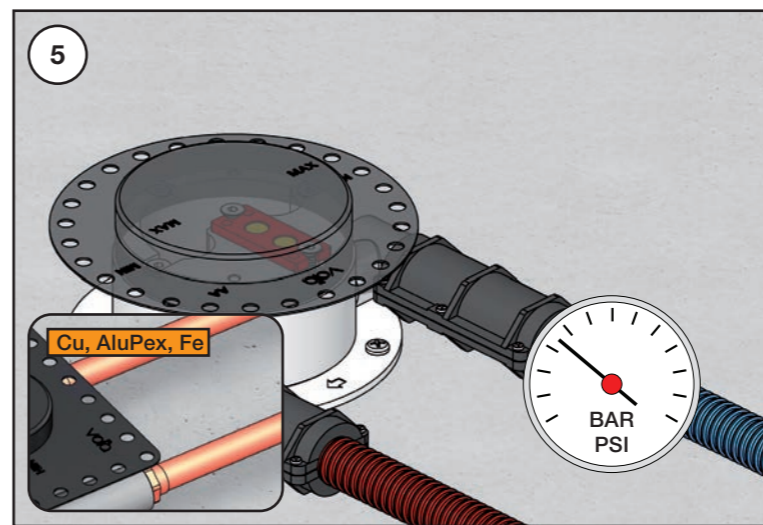
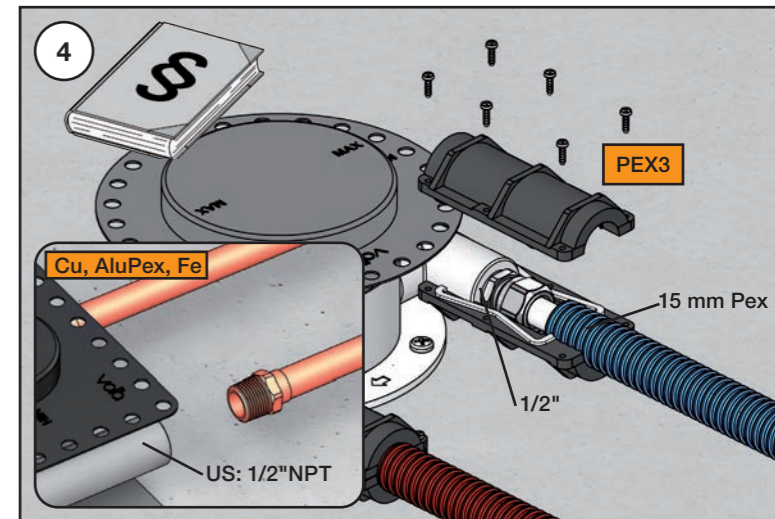
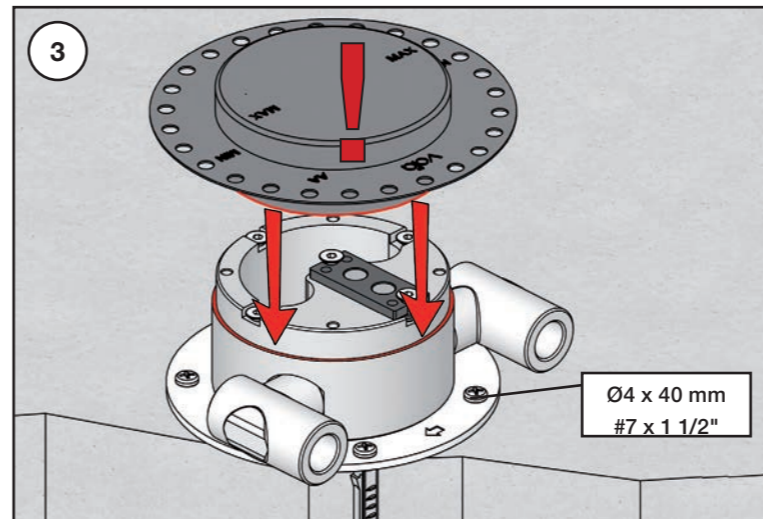
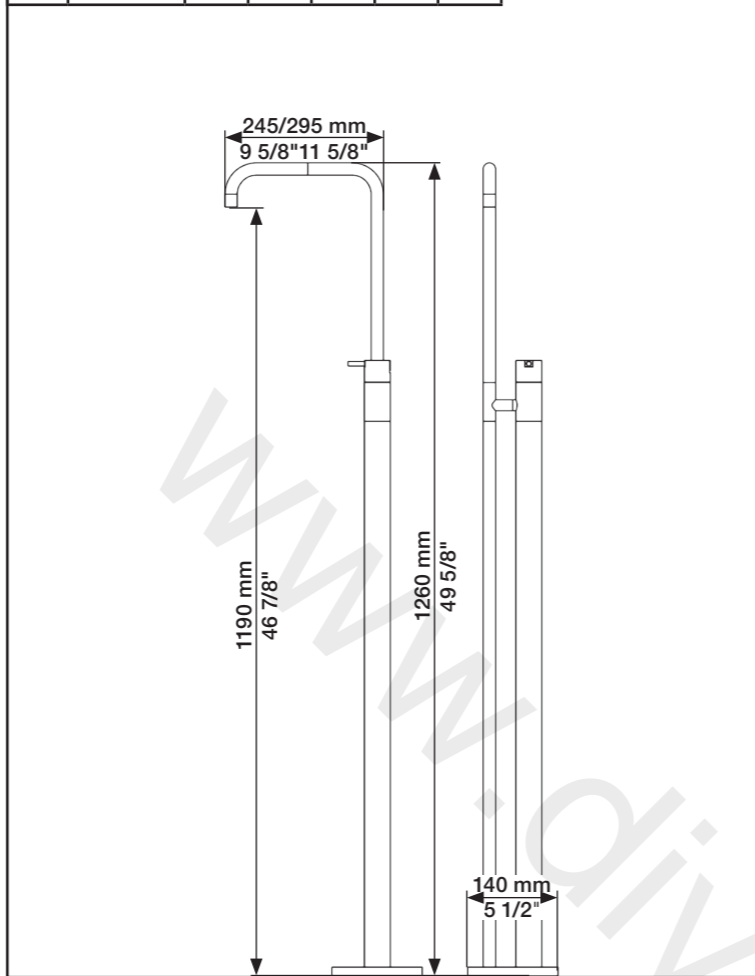
FS2_V3 40999884
23-06-2022

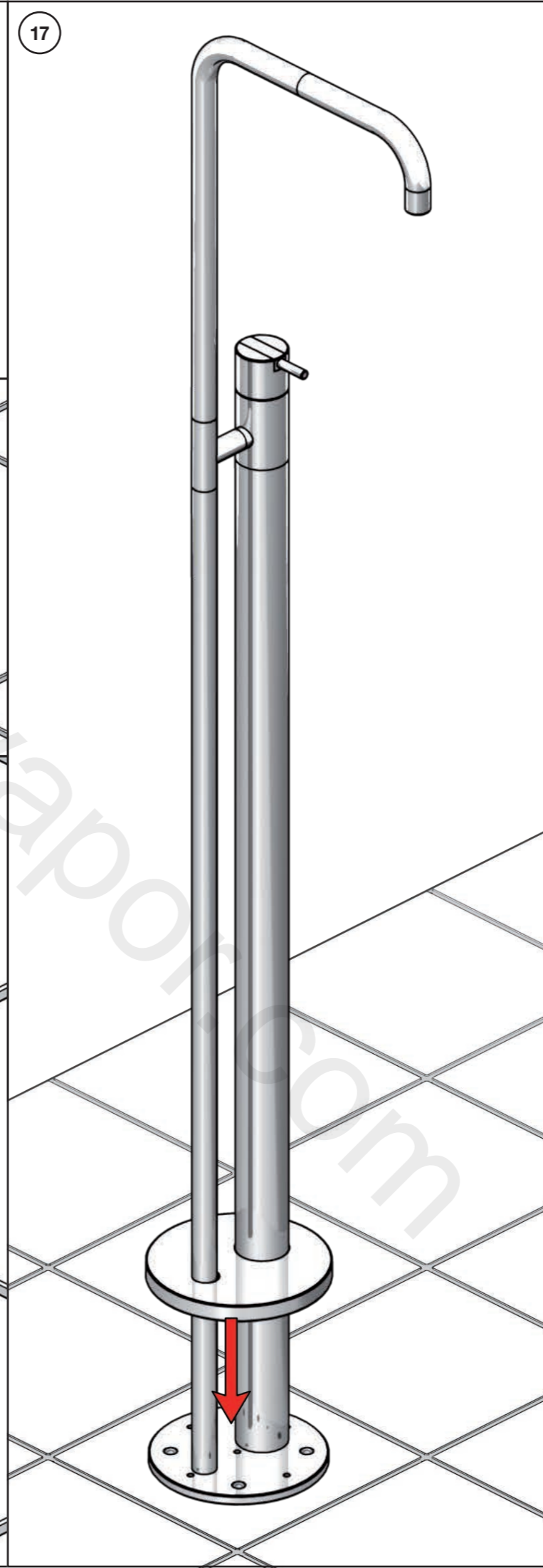
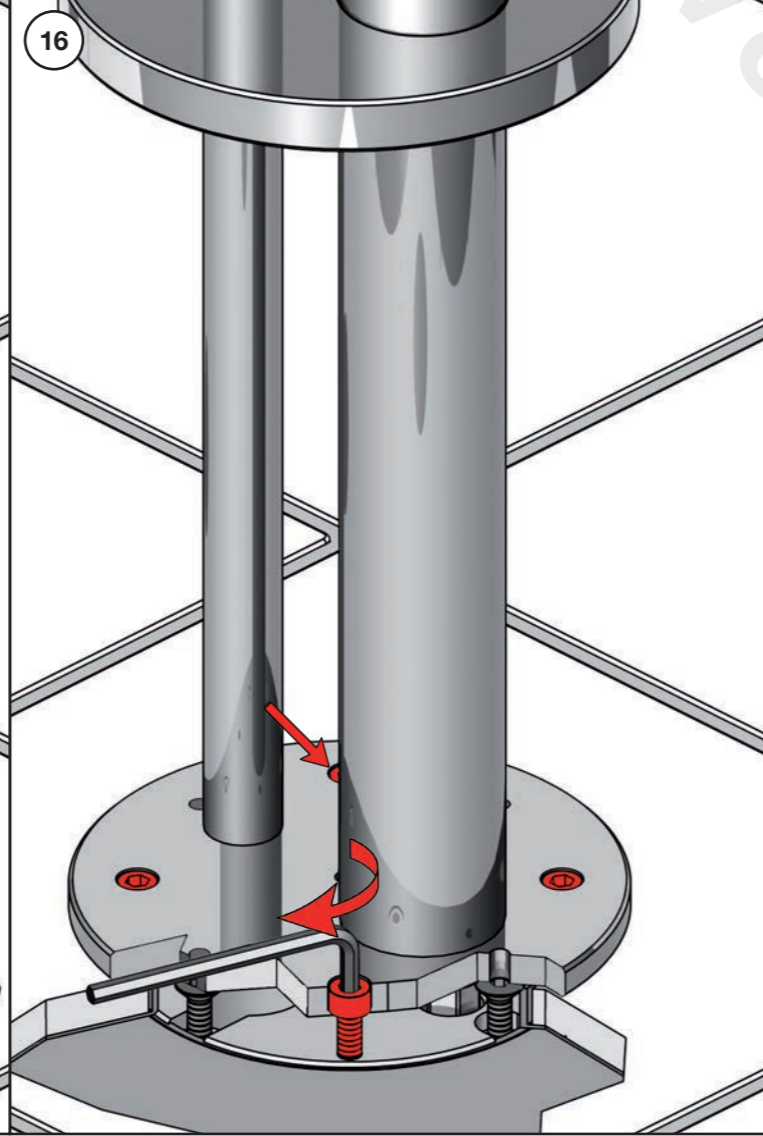
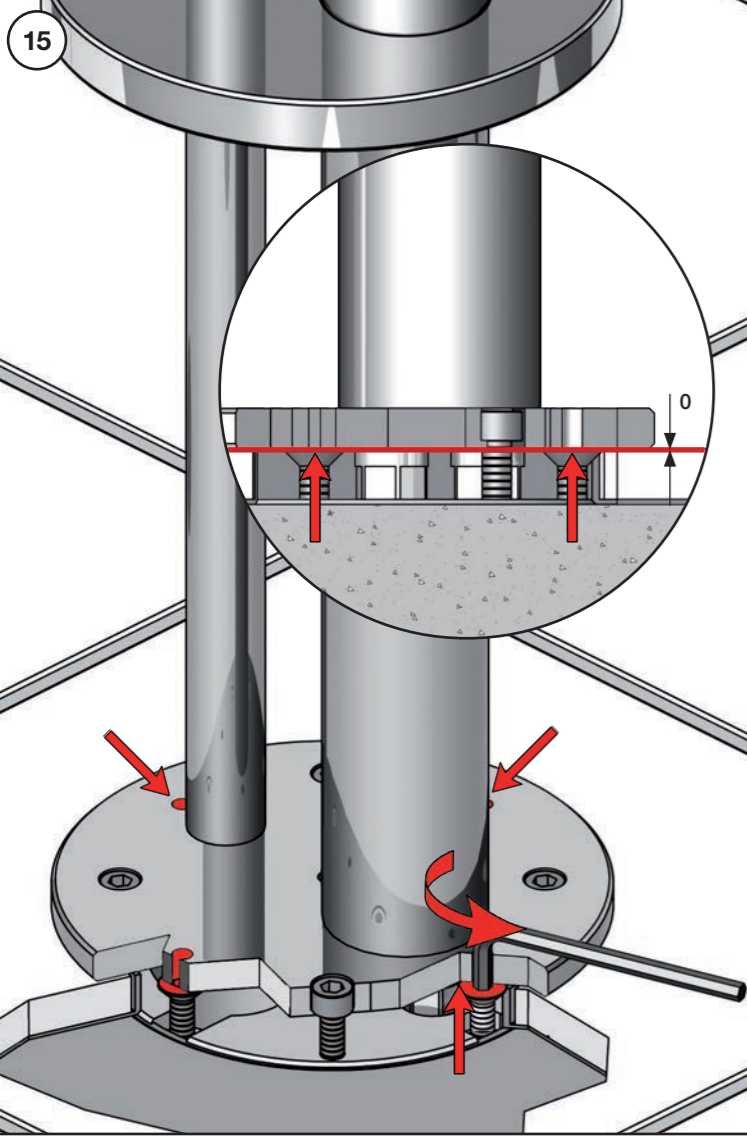
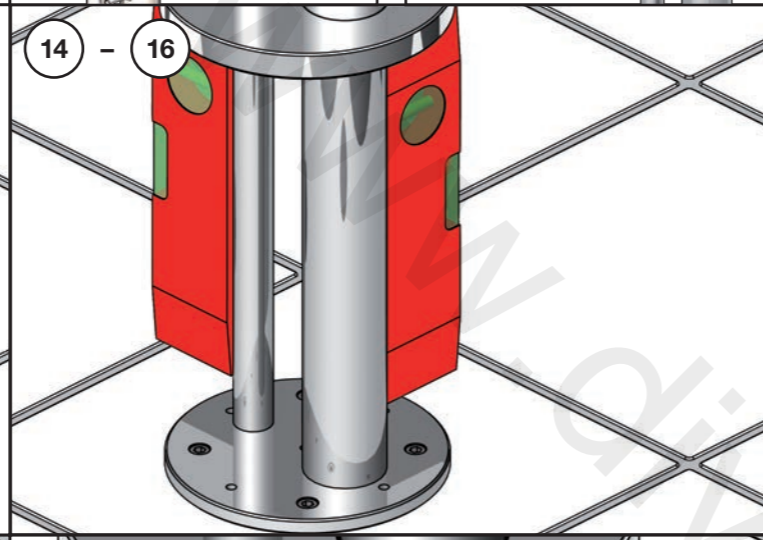
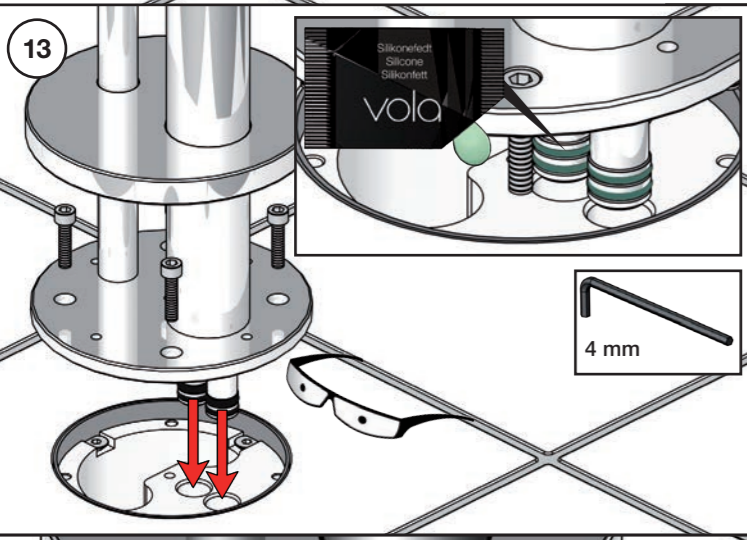
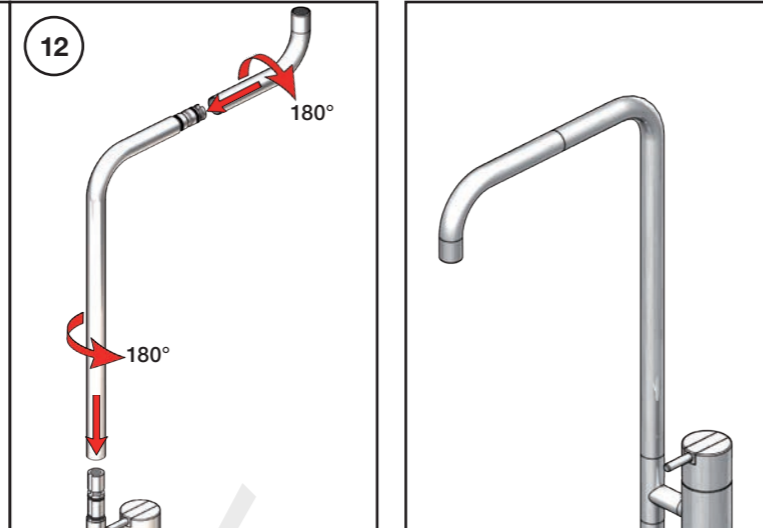
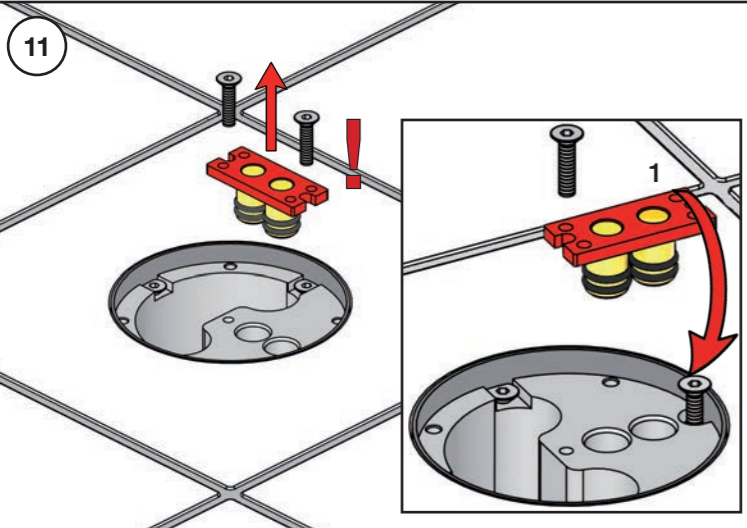
vola



Bar:	1	2	3	4	5
FS2 (l/min)	5.0	5.0	5.0	5.0	5.0
(Gal/min)	1.3	1.3	1.3	1.3	1.3

Max. 65°C, 150°F
Max. 10 Bar/145 Psi



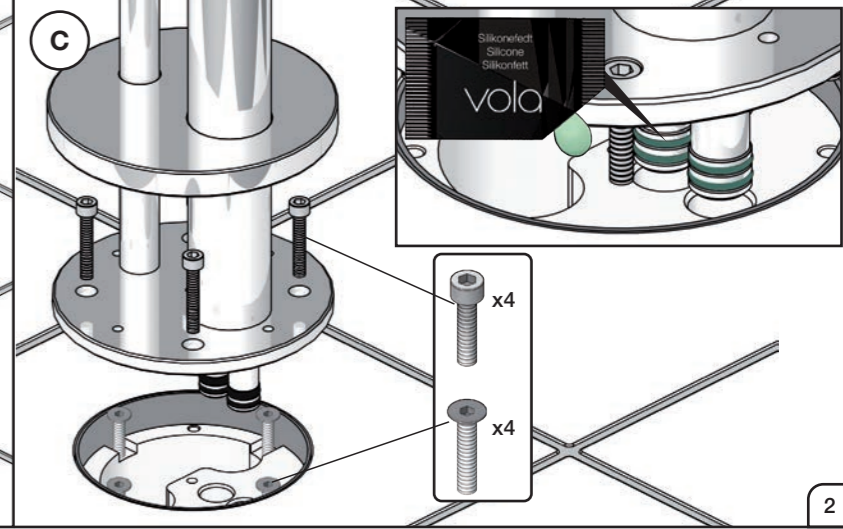
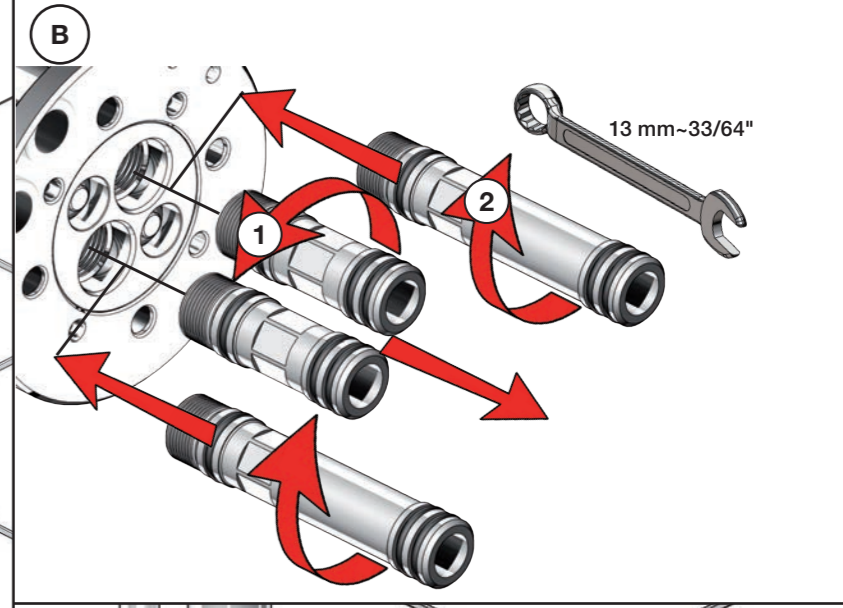
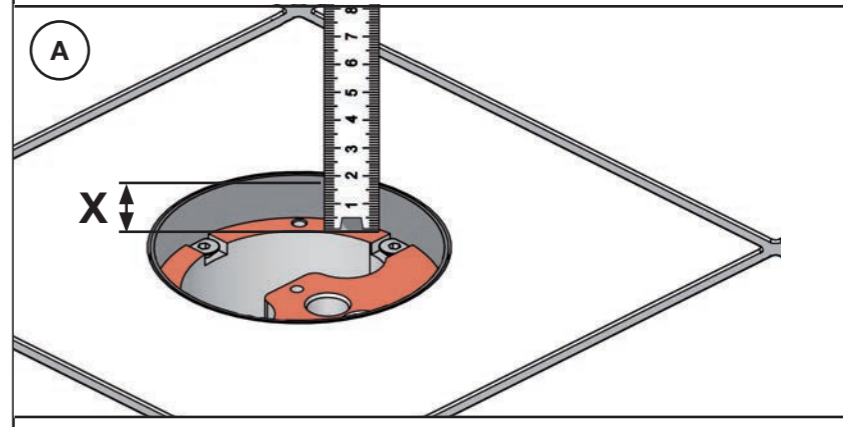


Extension Verlängerung Forlängelse Förlängning Verlängstucken Modification

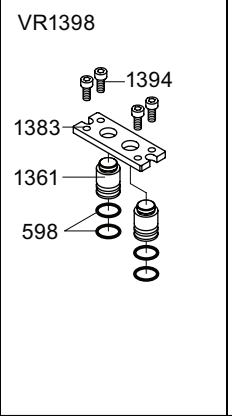
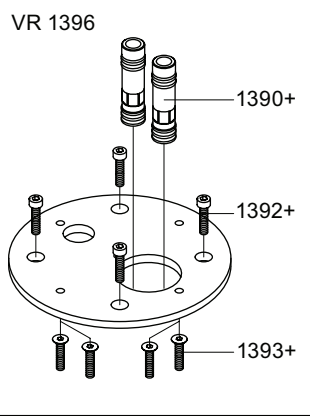
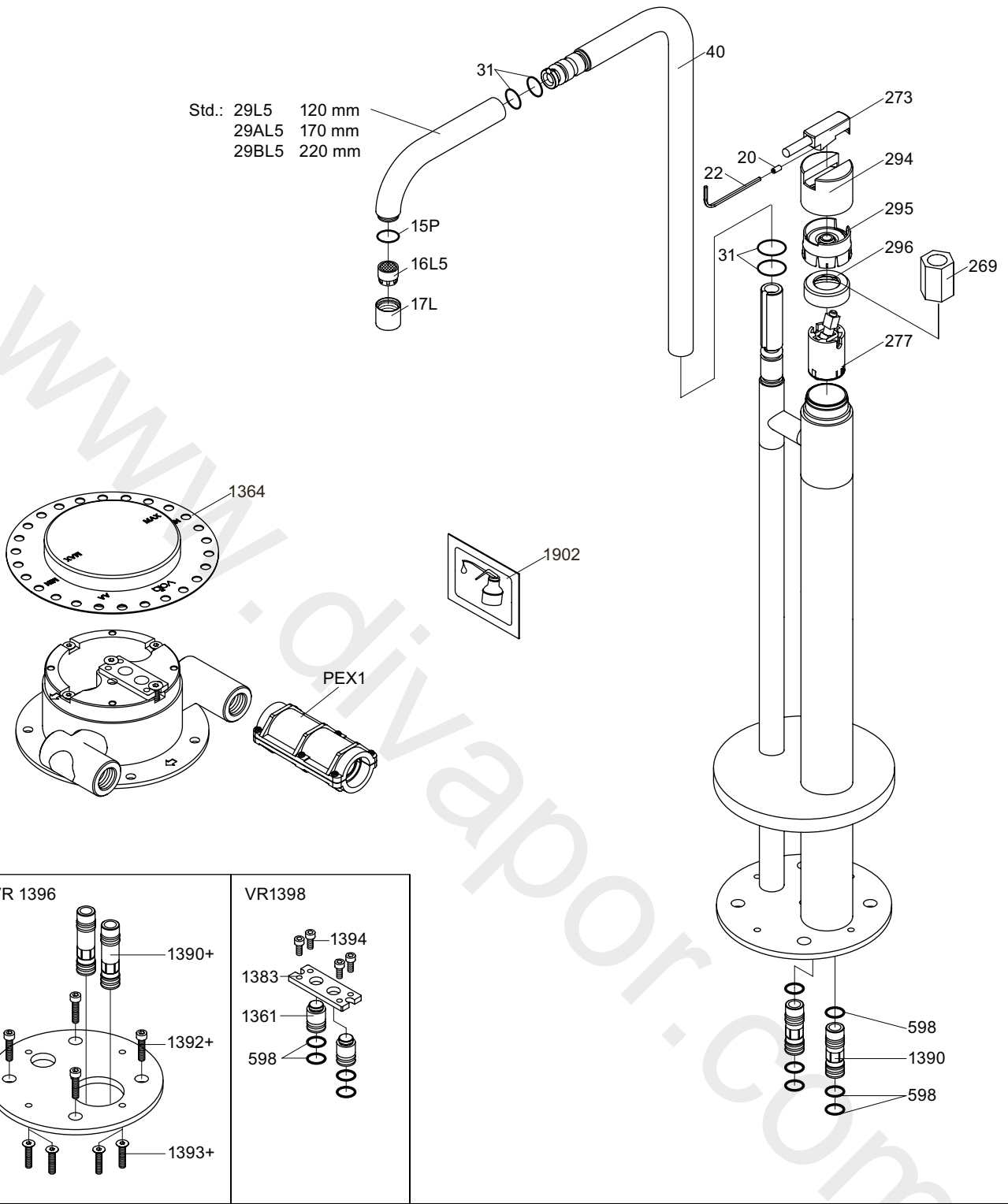
X:	A
3 - 15 mm 2/16" - 9/16"	Standard
15 - 25 mm 9/16" - 1"	VR1396+15
25 - 35 mm 1" - 1 3/8"	VR1396+30

VR1396

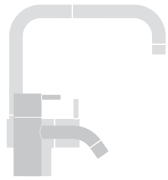
Standard:



Std.: 29L5 120 mm
 29AL5 170 mm
 29BL5 220 mm



- VR090: VR15P, VR16L5, 4xVR31, VR1902
- VR277K: VR22, VR269, VR277
- VR297: VR20, VR22, VR269, VR273, VR277, VR294, VR295, VR296
- VR1396: 6xVR598, 2xVR1390+, 4xVR1392+, 4xVR1393+
- VR1398: 4xVR598, 2xVR1361, VR1383, 4xVR1394
- NR.10: VR20, VR22, VR273, VR294, VR295



vola
 Lunavej 2
 DK-8700 Horsens
 Tlf : + 45 7023 5500
 sales@vola.com
 www.vola.com

VOLA FS2

Date	Mar. 11
Rev.	1
Sheet	SB53.1