

# SPECIFICATION SHEET

**COLLECTION:** GEOMETRY

**PRODUCT CODE:** GEOM-250RO-SA-SS



**DESCRIPTION:**

Geometry  
round single function geometric shower head  
with shower arm  
wall mounted  
250mm (10") diameter  
minimum operating pressure 1.0 bar MP

**FINISH:**

Chrome

**MINIMUM OPERATING PRESSURE:**

1.0 bar MP



tel: 01934 744466  
email: sales@vado.com  
www.vado.com

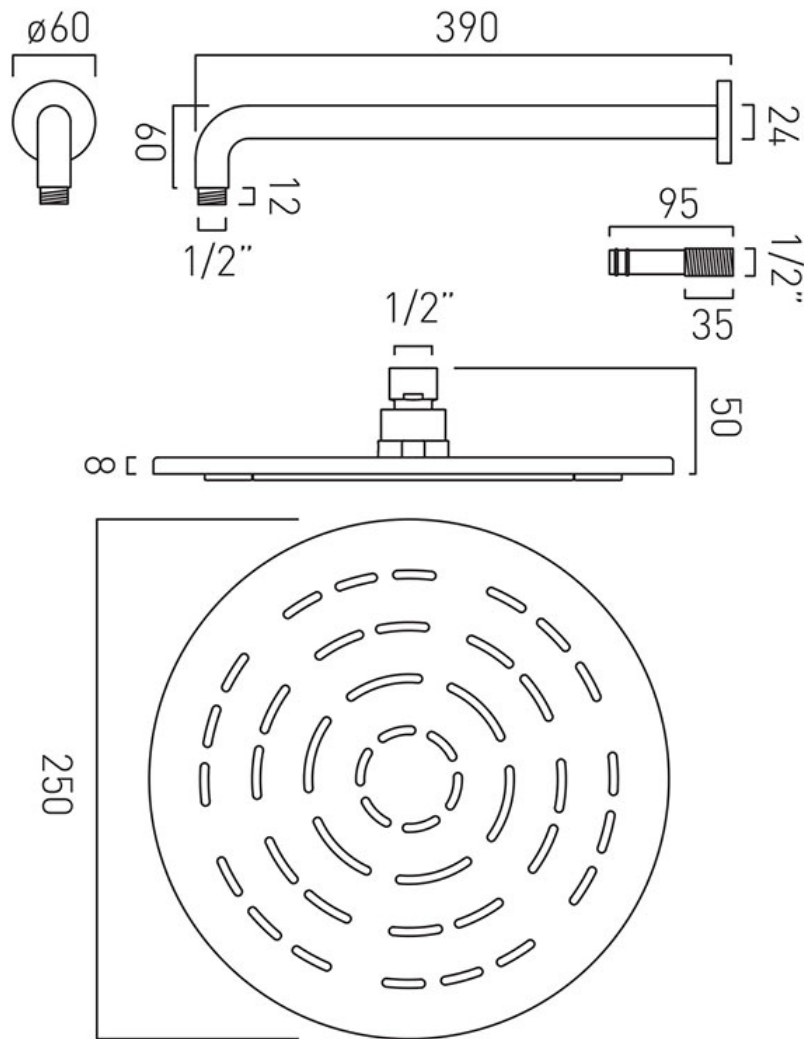
**where inspiration flows**  
taps | showering | accessories



# TECHNICAL DRAWING

**COLLECTION:** GEOMETRY

**PRODUCT CODE:** GEOM-250R0-SA-SS



tel: 01934 744466  
email: sales@vado.com  
www.vado.com

**where inspiration flows**  
taps | showering | accessories

