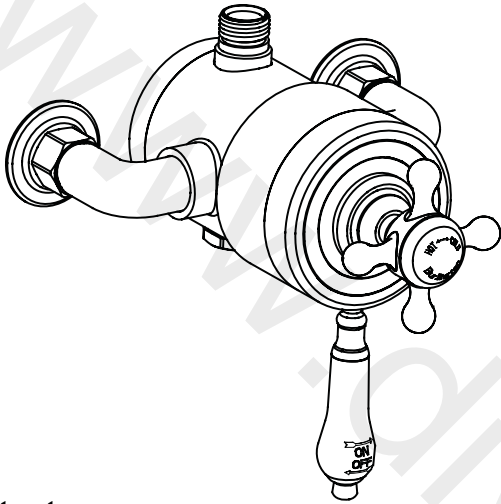


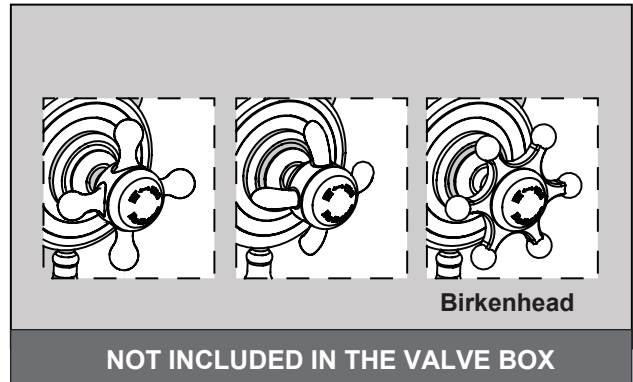
INSTALLATION INSTRUCTIONS

Wye Exposed Thermostatic Shower Valve (Excluding handles) - V4



Option 1:

Burlington has 3 different style handle for your selection.



Important

- We recommend that this product is installed by a qualified professional contractor. Such as a plumber who is certified by NVQ (National Vocational Qualification) or SNVQ (Scottish National Vocational Qualification) Level 3
- Please check this product immediately to ensure that it has not been damaged and is complete. Before installation, please make sure this product is the correct model and you have all the parts required for installation and using.
- This valve is a mixing device and therefore requires the water supplies to be reasonably balanced, otherwise we recommend a pressure reducing valve to be fitted.
- Please flush the water system to ensure that no metal swarf, solder, and other impurities can enter the valves.
- Turn off water supply before commencing work, this should be done at the isolating valves of inlet feeds if fitted or main stopcock.
- Please read these instructions carefully and keep it for future reference.

Working pressure and temperature

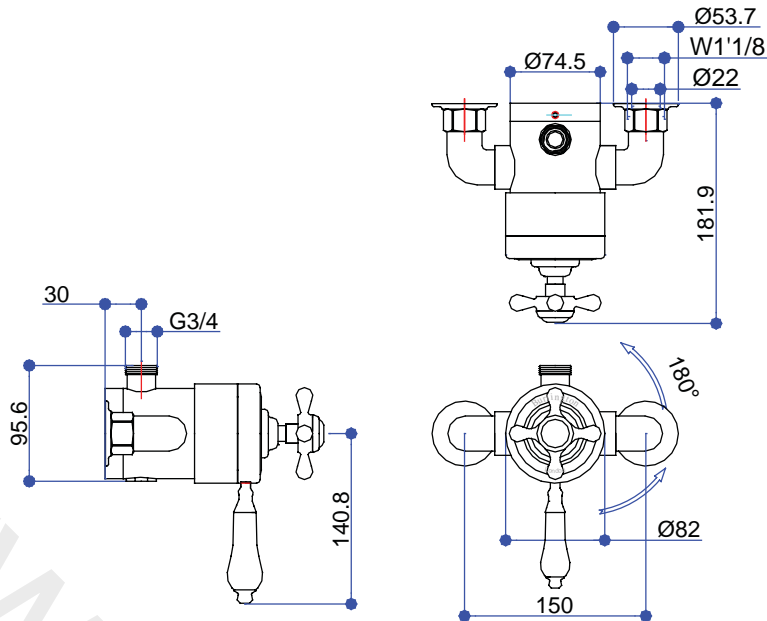
The valve is suitable for both high and low pressure installation. To ensure that the valve works well under low water pressure, the cold water storage tank must be at least 2 meters above the installed position.

Maximum Static Pressure	10 Bar
Flow Pressure, Hot & Cold	0.1-5 Bar
Hot Supply Temperature	55-65 °C
Cold Supply Temperature	≤25 °C

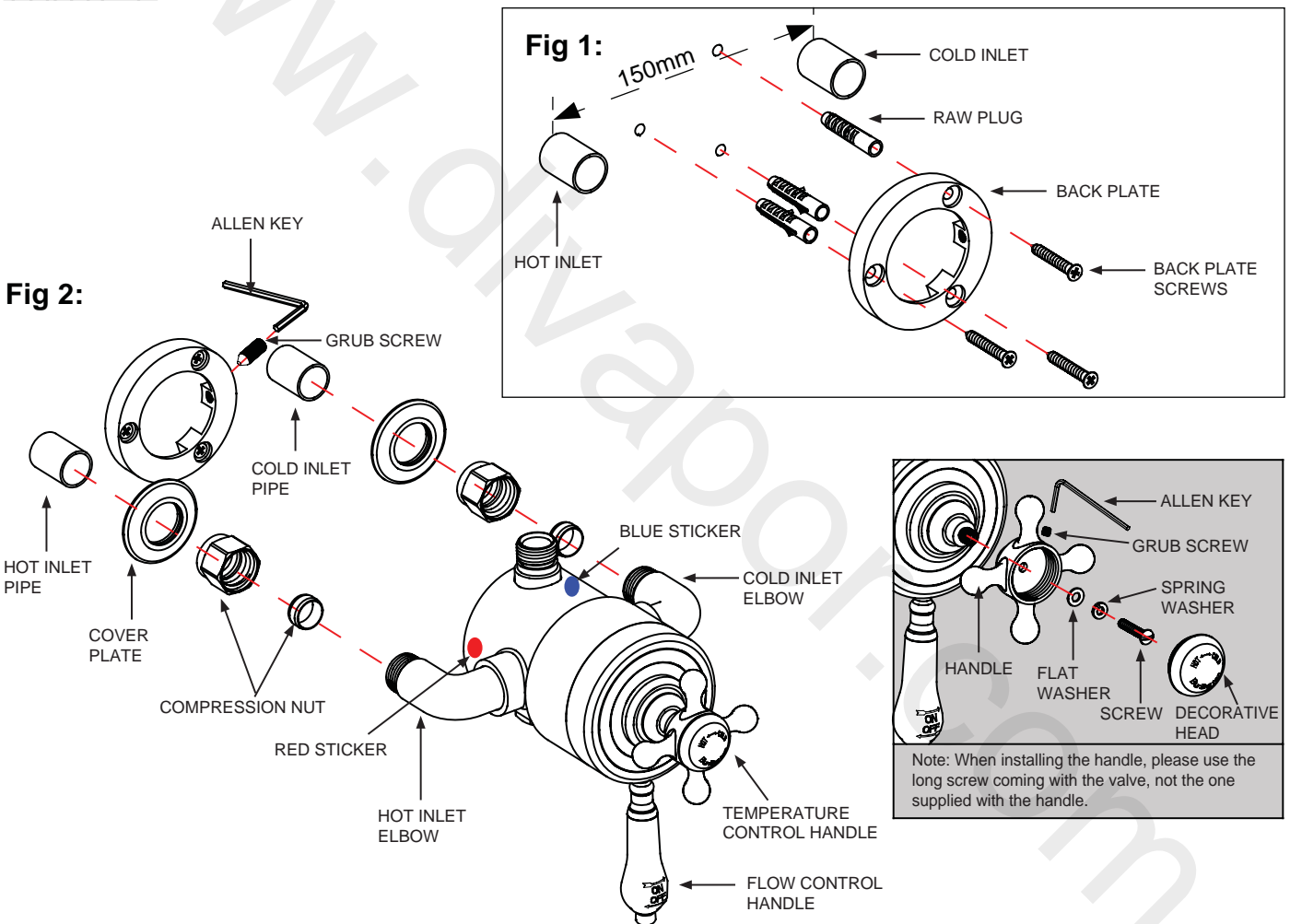
Plumbing Recommendations

- The valve is provided with one outlet (on the top.) And it can be connect with vertical riser which supplied with G 3/4" compression nut.
- An independent hot and cold water supply pipe is required for the shower system including valve. The cold water inlet should not be directly connected with the main water supply as this could cause un-balanced cold hot water supply and the valve may not function properly.
Please follow the installation diagrams and instructions.
- * For low-pressure shower system, the recommended pipe work from both water tank and cylinder should be at least 22mm.
- * Please always install pump before shower valve inlet where a pump is required.

Dimension



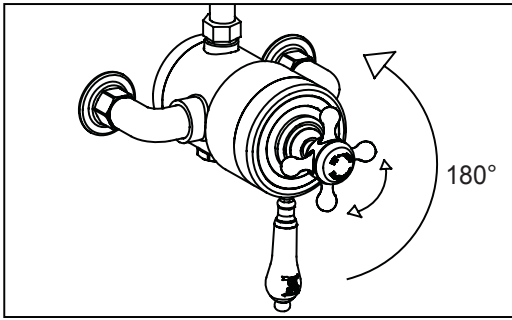
Installation



The valve should be installed in accordance with the water bye-laws. For further details refer to the latest copy of Water Bye-laws guide or your local water authority.

1. Prepare the water supply pipes (hot on the left and cold on the right) at the identified height with a width of 150mm centers.
2. Make the ends of pipes 20-25mm out from the face of wall.
3. Remove the compression nuts and the cover plates from the inlet elbows of valve.
4. Remove the back plate from the valve by loosening the grub screw.
5. Put the back plate onto the wall with the grub screw underneath and mark the position of 3 holes.
6. Drill 3X8mm holes on the wall to a depth of 45mm and insert raw plugs.
7. Fix the back plate to the wall with the supplied screws.
8. Slide the cover plates under the compression nuts and position each pipe with the cover plate against the wall.
9. Push the valve over each pipe and make them into the back plate.
10. Tighten the two nuts on both inlets. And then tighten the grub screw underneath the valve.
11. Fit the water flow control handle onto the decorative cap, tighten the stud on the handle.

Operation

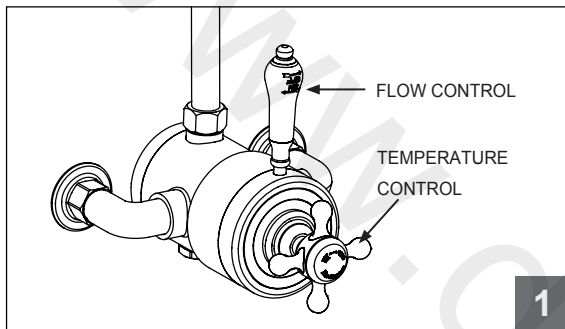


1. Turn the water flow control handle to increase/decrease the water flow and turn on/off.
2. Turn the temperature control handle to increase/decrease the water.
3. The temperature control knob is pre-set the auto stop at 42°C to avoid scalding. However, if for any reason the setting is removed it is important to follow "Temperature Setting" procedure to reset.
4. After use, your shower rose may drip slowly for up to 10 minutes, this is normal in all showers of this type. It is important that you do not overtighten the handle after use in an attempt to stop this as it may damage the cartridge inside the valve.

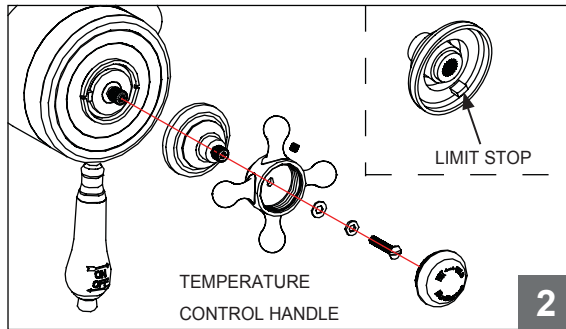
Temperature Setting

The temperature control handles on this product are factory set and should require no adjustment.

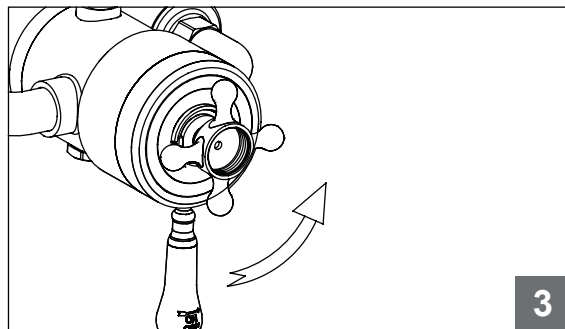
However, if for any reason the handles and/or the cartridge is removed it is important the following procedure is followed.



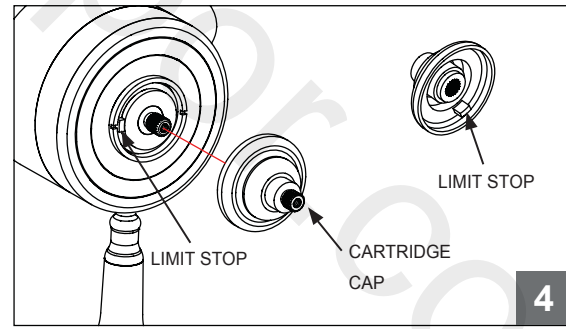
- A) Turn flow control handle to maximum flow position, and temperature control handle anti-clockwise until it contacts the internal limit stop.
- B) Allow the water temperature to stabilize around 3 minutes and check the temperature by thermometer.
- C) Proceed if temperature is not 42°C.



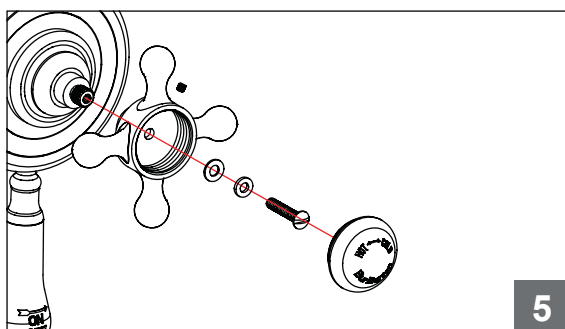
- A) Turn off the water
- B) Unscrew the decorative cap on the temperature control handle.
- C) Unscrew and remove the handle.
- D) Pull off the cartridge cap and note the position of the internal limit stop.



- A) Temporarily refit the temperature control handle until it just engages on the splines of the spindle.
- B) Turn on the water.
- C) Slowly turn the handle in the required direction until the discharge temperature is achieved.
- D) Remove the handle when finished.



Without rotating the temperature spindle, replace the cartridge cap so that limit stop inside the cartridge cap up to the right hand side of the limit stop on the cartridge.



Refit and tighten the screw. Refit and tighten the decorative cap.

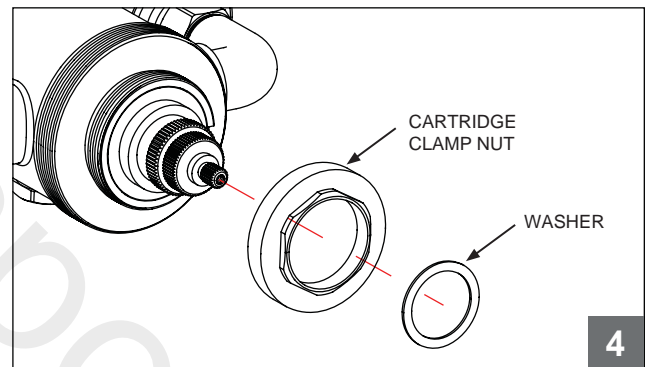
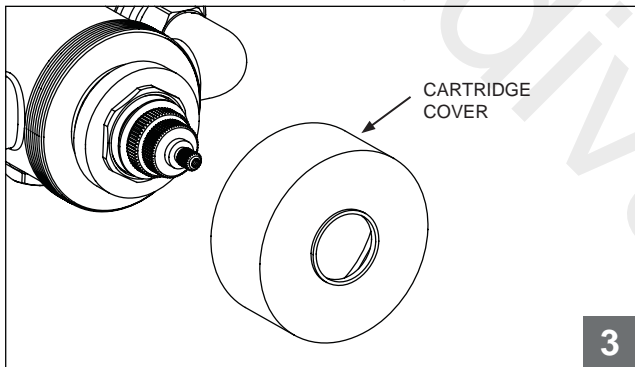
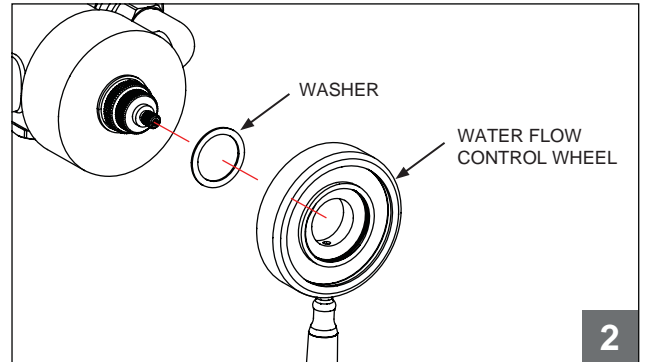
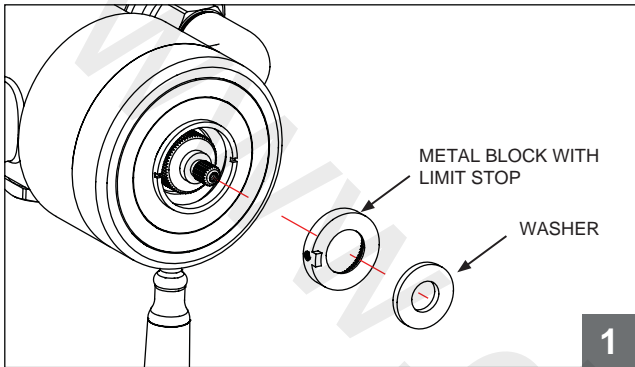
Maintenance (Thermostatic Cartridge)

* After a long time usage of thermostatic valve, there will be some waste debris from the water pipe on and around the thermostatic cartridge, which will affect the flow and sensitivity of automatic temperature adjustment. Please take out the thermostatic cartridge, and clean the cartridge strainer

* To avoid damage, please remove all chrome parts before any maintenance takes place.

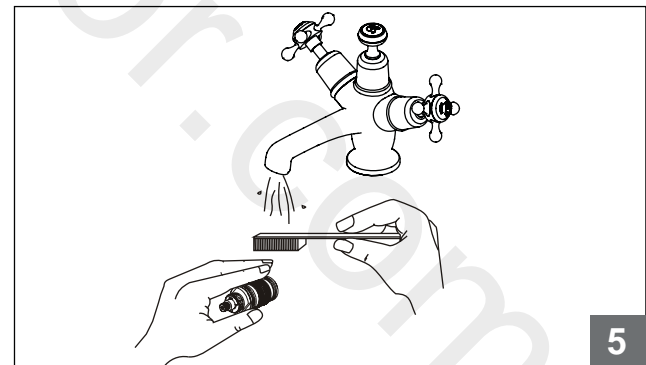
- 1) Remove the washer and metal block.
- 2) Remove the water flow control wheel.
- 3) Screw out the cartridge cover.
- 4) Screw out the cartridge clamp nut (take note of the orientation of the cartridge) and pull the cartridge out.
- 5) Wash the cartridge with clean running water, dry and lightly grease the seals.(only use silicone grease)
- 6) Replace the cartridge and make sure it back to the primary position.

* Cartridge Type: " SP35 " is the spare part number of thermostatic cartridge.



Trouble Shooting

1. Output water temperature does not correspond with temperature set
Cause: Thermostat has not been adjusted base on the existing home water system.
Remedy: Adjust the thermostat , refer to "Temperature Setting" procedure.
- Cause: Hot Water temperature too low.
Remedy: Adjuster the water heater , increase hot water temperature to 65°C
2. Crossflow, cold water being forced into hot water pipe, or vice versa, when valve is closed .
Cause: Non-return valves dirty or leaking
Remedy: Clean the non-return valves or exchange if necessary
3. Very low flow or no flow
Cause: Supply pressure inadequate
Remedy: Check hot and cold feeds . If a pump has been installed, please check to see if the pump is working.
(the valve will shut down if either the cold or hot water supply fails)
4. Water will not run hot enough when first installed
Cause: Wrong maximum temperature setting
Remedy: Adjust the maximum temperature , refer to "Temperature Setting" procedure.



Cleaning

We do NOT recommend you use any household cleaners to clean the product. Because these cleaners change substance or formula too frequently. So product should be always cleaned only with soapy water and rinsing with clean water and drying with soft cloth.