

Customer Services

Customer Service: 024 7637 2222
Trade Installer Hotline: 024 7637 8344
Fax: 024 7632 4504
E-mail: serviceenquiries@tritonshowers.co.uk
For the latest Terms & Conditions, please see:
www.tritonshowers.co.uk

**From a garage in Warwickshire in 1975
to the UK's biggest shower brand.**

Be proud to be Triton.

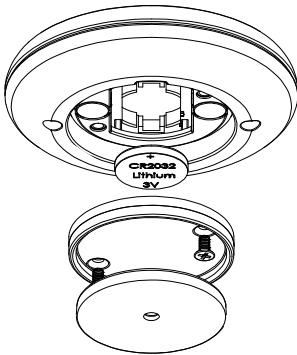
TRITON

Remote Start/Stop



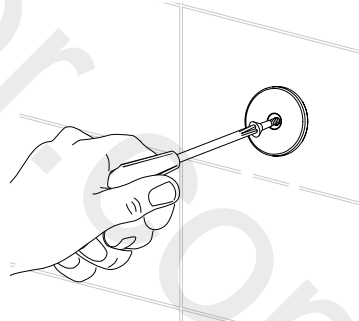
2181518B (Dec 17)

Installation



- 1) Remove the wall bracket from the rear of the remote to access the battery plate screws.
 - 2) Remove the two housing screws to access the battery holder. Install the CR2032 Lithium 3V battery into the remote.
 - 3) When selecting the location for the remote, check that the remote activates the unit before marking the wall.
- Note: Do not install further than 10m from the processor unit.

Installation



- 4) Mark the remote bracket in the position desired. Ensure that the bracket is flat when installed.
- 5) Drill and plug the hole, using a suitable screw, secure the bracket to the wall.
- 6) Guide the remote to the bracket and the remote is parked.
- 7) Press the supplied screw trim into the screw hole, ensuring its top surface is flush with the top surface of the bracket.
- 8) Offer the remote button up to the bracket.

Connect

- 1) Remove power to the processor unit for at least 1 minute.
- 2) Restore the power to the processor unit.
- 3) Within 2 minutes of restoring the power, press and hold both buttons on the remote start/stop button for 10 seconds, then release both buttons at the same time.
- 4) Press either button on the remote start/stop button to pair it with the processor unit.
- 5) The remote start/stop button is now paired with the processor unit.
- 6) Test the remote start/stop button functionality.
- 7) If the remote start/stop button does not work, repeat steps 1-6.

Functions

Press start/stop to activate the shower to the default settings. Press the start/stop again to deactivate the shower.



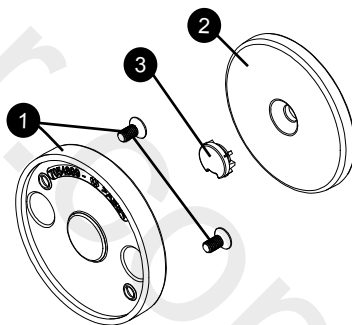
Press warm up to bring the shower to temperature. The shower automatically stops when it is at the default temperature, indicating the shower is ready for use.

Please note that after pressing a remote start/stop button, there may be a few seconds delay before the shower starts.

Product Care

It is recommended that this product is cleaned using warm, soapy water.
Clean using a micro fibre cleaning cloth (eg: E-cloth) or sponge ONLY.
DO NOT use a general purpose cleaning cloth (eg: J-cloth) dish cloth or scourer.
DO NOT use abrasive or aggressive chemical cleaning products as this may affect the product surface finish and invalidate your guarantee.

Spare parts



SPARE PARTS

Replacement parts can be ordered from Triton Customer Service.

Ref.	Description	Part number
1	Battery Cover and Screws.....	83316700
2	Wall Bracket	7013669
3	Screw Trim - Black.....	7055084
-	Host Remote (full).....	HOSDMRSS