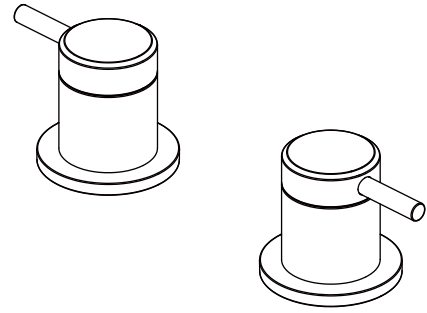


INSTALLATION INSTRUCTIONS

Hoxton Deck Mounted Valves Chrome/
Matt Black/ Brushed Brass

HOX.007CP/ HOX.007MB/ HOX.007BB



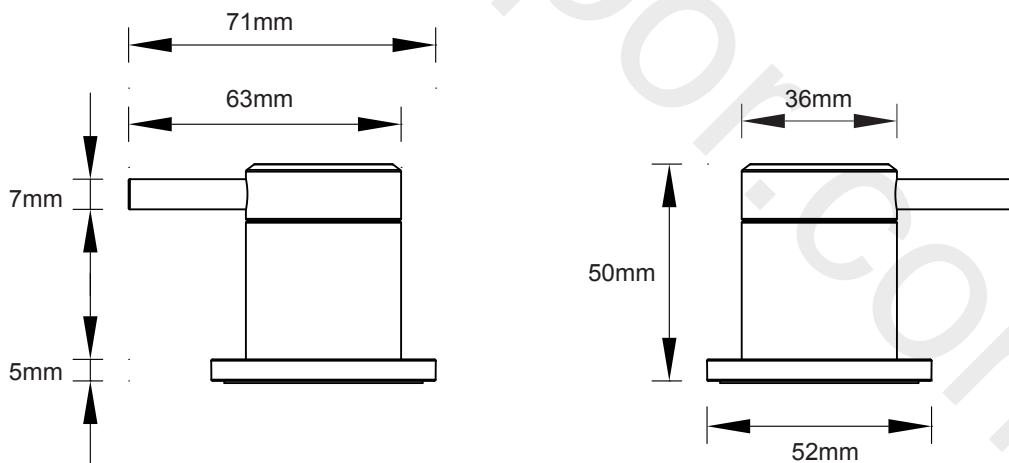
Important

- We recommend that this product is installed by a qualified professional contractor. Such as a plumber who is certified by NVQ (National Vocational Qualification) or SNVQ (Scottish National Vocational Qualification) Level 3.
- Please check this product immediately to ensure that it has not been damaged and is complete. Before installation, please make sure this product is the correct model and you have all the parts required for installation and using.
- Please read these instructions carefully and keep it for future reference.

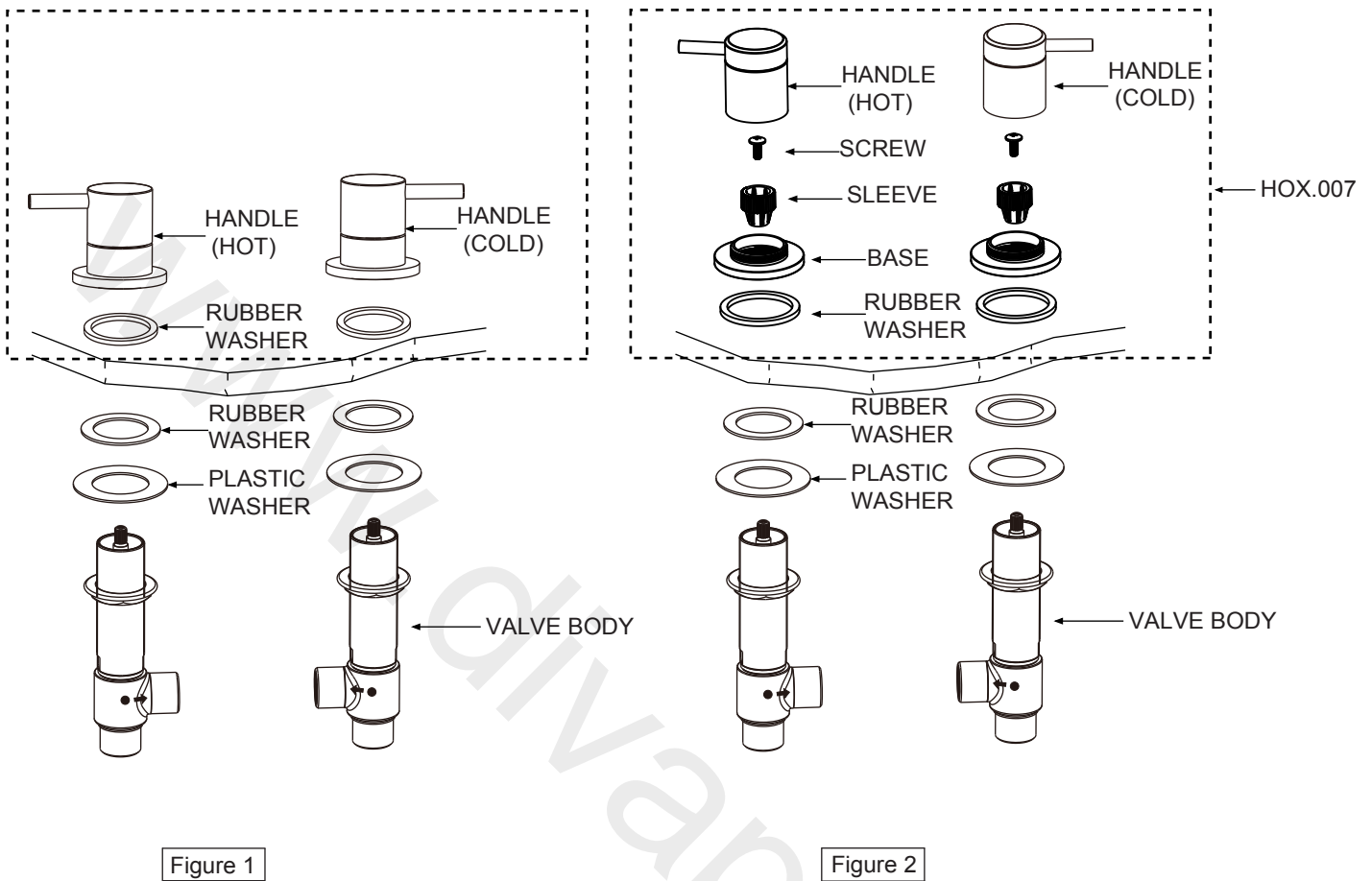
Maintenance

We do NOT recommend you use any household cleaners to clean the product because these cleaners change substance or formula too frequently. The product should be always cleaned only with soapy water and rinsed with clean water and dried with a soft cloth.

Dimension



Installation (needs to be used with HOX.350DC)



**NOTE: 1. Remember to turn off the mains water supply before replacing HOX.007.
2. Make sure that the handle is in closed status before installation.**

1. Remove the original deck mounted handle (as boxed in Figure 1) and replace with HOX.007.
2. Please refer to Figure 2, place the rubber washer into the base, and tighten the base with the valve body.
3. Fit the sleeve into the cartridge of the valve body and tighten it with screws.
4. Lock the handle to the base. For installation of the valve bodies, please refer to instruction included with HOX.350DC.