

AQUALISA

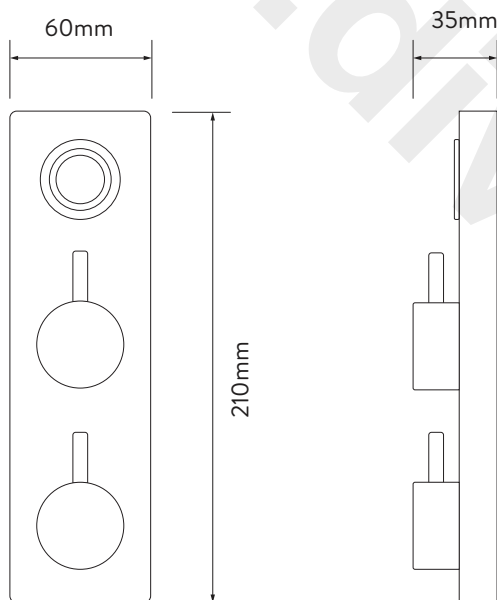
HQD1001

HIQU™ SMART SHOWER

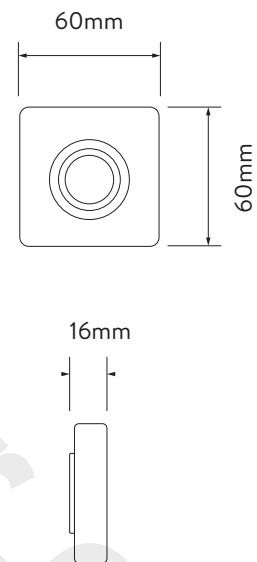
WITH REMOTE CONTROL - HP/COMBI

DIMENSIONAL DRAWINGS

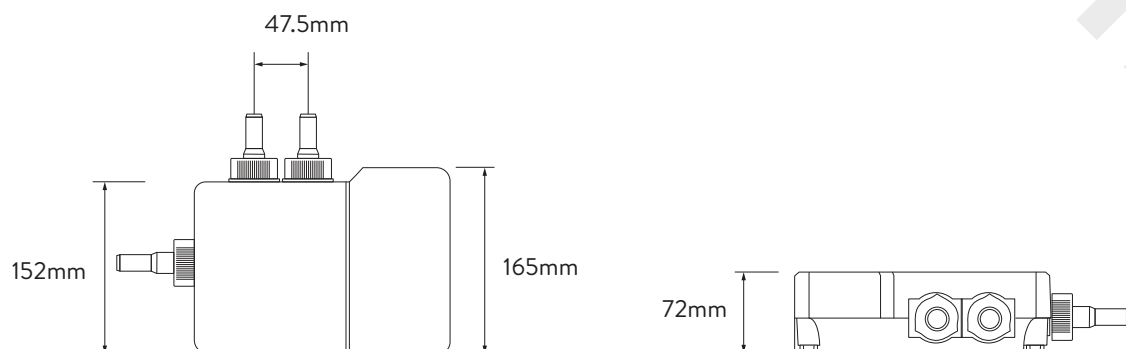
CONTROLLER



REMOTE CONTROL



PROCESSOR



AQUALISA

HQD1001

HIQU™

SMART SHOWER

WITH REMOTE CONTROL - HP/COMBI

TECHNICAL SPECIFICATIONS

| | |
|--|---|
| MINIMUM PRESSURE REQUIREMENTS | 1 bar |
| MAXIMUM PRESSURE REQUIREMENTS | 7 bar |
| QUARTZ SMART VALVE INLET FITTING CONNECTIONS | 15mm push fit fittings |
| QUARTZ SMART VALVE OUTLET FITTING CONNECTION | 15mm push fit fittings |
| PERMISSIBLE QUARTZ SMART VALVE SITTING LOCATION | Loft, airing cupboard, under bath |
| INLET SUPPLY TEMPERATURE SETTINGS | Minimum cold inlet temperature 1°C, maximum cold inlet temperature 15°C, maximum hot inlet temperature 65°C |
| BLENDED OUTLET TEMPERATURE SETTINGS | Factory set max blended temperature 45°C, minimum 35°C, maximum 55°C |
| ELECTRICAL REQUIREMENTS - QUARTZ SMART VALVE TO MAINS | Switched fused spur 3amp, processor main cable length 2m, required voltage 230 – 240V |
| ELECTRICAL REQUIREMENTS - CONTROLLER TO QUARTZ SMART VALVE | Low voltage data cable length 10m |
| ELECTRICAL REQUIREMENTS - DIVERTER TO QUARTZ SMART VALVE | Low voltage data cable length 2m |
| DATA CABLE REQUIREMENTS | Data cable voltage 5V |
| WATER SYSTEM | HP/Combi |
| FEATURES | Simple, push button start/stop control |
| | Intuitive LED display indicates when chosen temperature and flow has been reached |
| | Remote control that controls shower from up to 10 metres away |
| | Option to activate water conserving eco-mode on shower's processor during installation |
| APPROVALS | CE Marking |
| | BEAB |
| | TMV2 |
| GUARANTEE PERIOD | Shower Unit - 5 years |
| | Shower and Head Kit - 2 years |
| | Accessories - 2 years |