

# AQUALISA

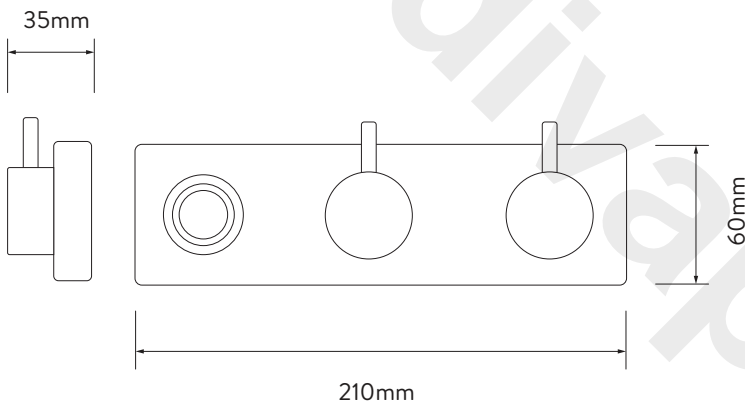
HQD1020

# HIQU™ SMART SHOWER DUAL OUTLET

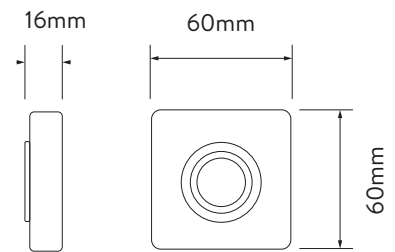
WITH BATH FILL AND REMOTE CONTROL  
- GRAVITY PUMPED

## DIMENSIONAL DRAWINGS

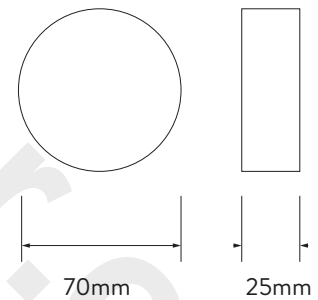
### CONTROLLER



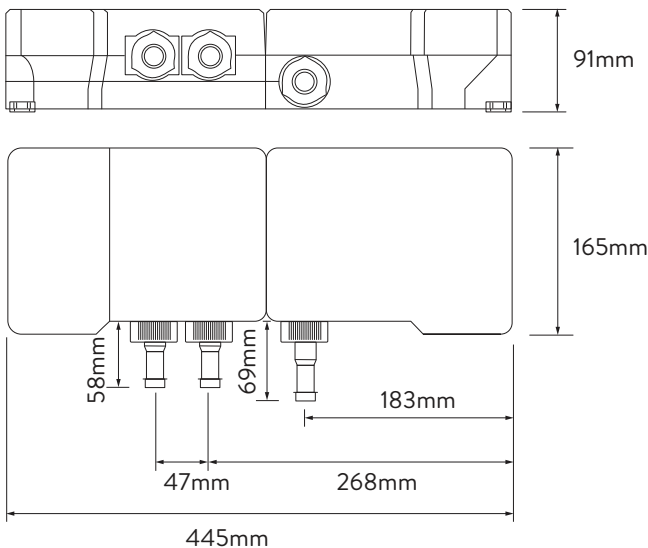
### REMOTE CONTROL



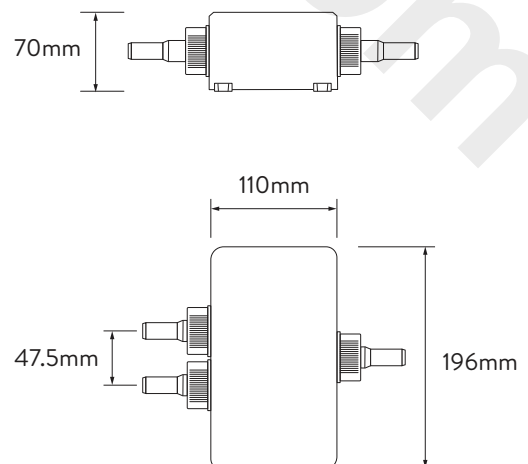
### BATH OVERFLOW FILLER



### PROCESSOR



### DIVERTER



# HIQU™ SMART SHOWER DUAL OUTLET

WITH BATH FILL AND REMOTE CONTROL  
- GRAVITY PUMPED

## TECHNICAL SPECIFICATIONS

MINIMUM PRESSURE REQUIREMENTS	Processor must be sited no higher than the base level of the cistern
MAXIMUM PRESSURE REQUIREMENTS	1 bar
QUARTZ SMART VALVE INLET FITTING CONNECTIONS	15mm push fit fittings
QUARTZ SMART VALVE OUTLET FITTING CONNECTION	15mm push fit fittings
PERMISSIBLE QUARTZ SMART VALVE SITTING LOCATION	Loft, airing cupboard, under bath
INLET SUPPLY TEMPERATURE SETTINGS	Minimum cold inlet temperature 1°C, maximum cold inlet temperature 15°C, maximum hot inlet temperature 65°C
BLENDED OUTLET TEMPERATURE SETTINGS	Factory set max blended temperature 45°C, minimum 35°C, maximum 55°C
ELECTRICAL REQUIREMENTS - QUARTZ SMART VALVE TO MAINS	Switched fused spur 3amp, processor main cable length 2m, required voltage 230 – 240V
ELECTRICAL REQUIREMENTS - CONTROLLER TO QUARTZ SMART VALVE	Low voltage data cable length 10m
ELECTRICAL REQUIREMENTS - DIVERTER TO QUARTZ SMART VALVE	Low voltage data cable length 2m
DATA CABLE REQUIREMENTS	Data cable voltage 5V
WATER SYSTEM	Gravity
FEATURES	'Full fill', 'half fill' and 'shallow fill' options
	Bath fillers instead of taps
	Optional remote control
	Digital diverter technology allows instant switching between bath fill and hand shower
	Choice of stylish, slim hand showers available
APPROVALS	Ideal for over bath installations
	CE Marking
GUARANTEE PERIOD	BEAB
	Bath Unit - 5 years
	Accessories - 2 years