

# AQUALISA

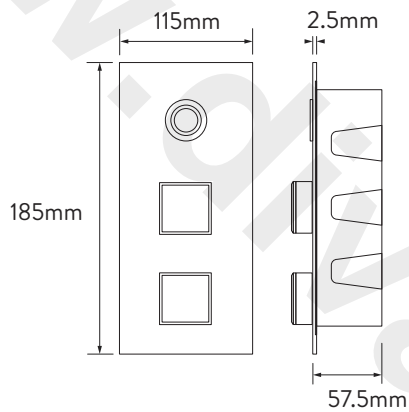
INF01GP

# INFINIA™ SMART SHOWER

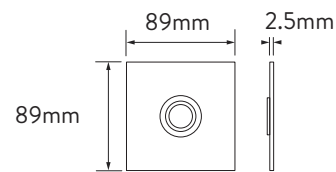
## GRAVITY PUMPED

### DIMENSIONAL DRAWINGS

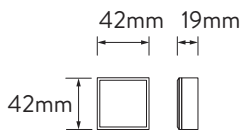
#### CONTROLLER



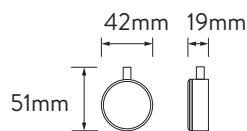
#### REMOTE



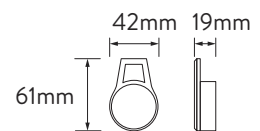
#### DIALS



PIAZZA (SHOWN ABOVE)  
PIZ01 CHROME  
PIZ02 WHITE/CHROME

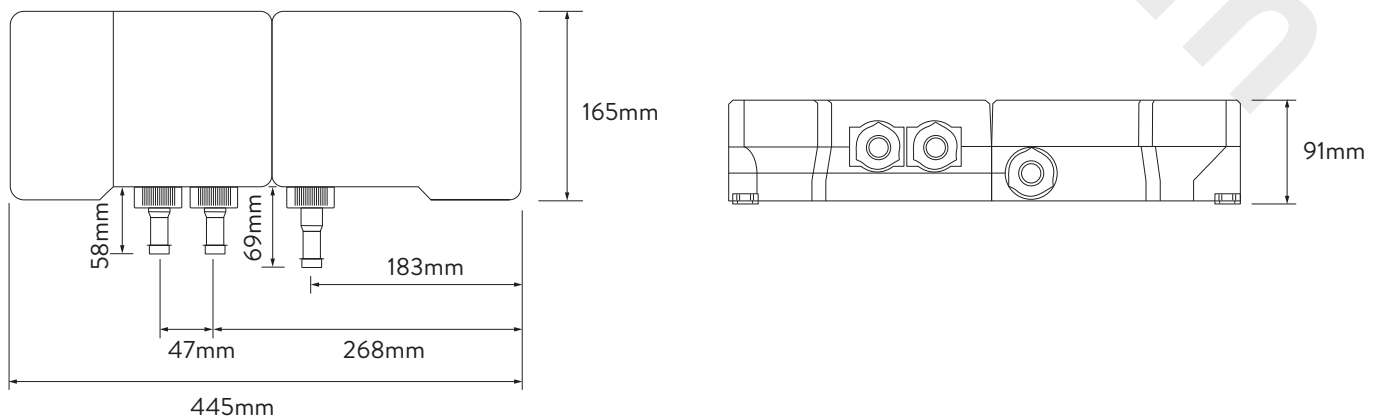


TONDO  
TON01 CHROME  
TON02 WHITE/CHROME



ASTRATTA  
AST01 CHROME  
AST02 WHITE/CHROME

#### PROCESSOR



# AQUALISA

INF01GP

# INFINIA™ SMART SHOWER

## GRAVITY PUMPED

### TECHNICAL SPECIFICATIONS

|   |  |
|---|--|
| MINIMUM PRESSURE REQUIREMENTS                   | Processor must be sited no higher than the base level of the Cold Water Tank |
| MAXIMUM PRESSURE REQUIREMENTS                   | 1 bar  |
| PROCESSOR INLET FITTING CONNECTIONS             | 15mm   |
| VALVE INLET CENTRES                             | 48mm   |
| INLET SUPPLY POSITIONS                          | Hot right, cold left   |
| PROCESSOR OUTLET FITTING CONNECTION             | 15mm   |
| PERMISSIBLE QUARTZ SMART VALVE SITTING LOCATION | Loft, ceiling, airing cupboard, under bath                                   |
| SUPPLY TEMPERATURE                              | Cold Inlet supply: 1°C (min), 15°C (max)<br>Hot Inlet supply: 65°C           |
| WATER SYSTEM                                    | Gravity Pumped   |
| FEATURES  | One touch start/stop control   |
|   | LED temperature indicator  |
|   | Precision temperature control  |
|   | Digital divert option  |
|   | Remote control   |
|   | Eco-setting option   |
| COLOUR  | Chrome   |
| GUARANTEE PERIOD                                | 5 years  |
| APPROVALS                                       | CE Marking   |
|   | BEAB   |