

AQUALISA

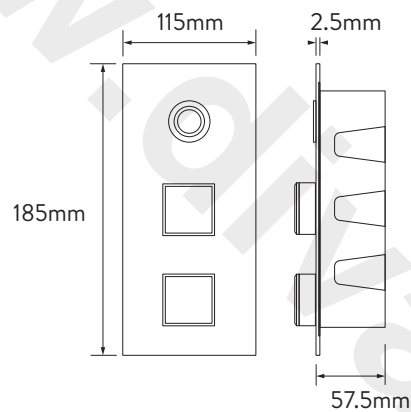
INF01HP

INFINIA™ SMART SHOWER

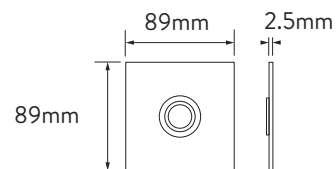
HP/COMBI

DIMENSIONAL DRAWINGS

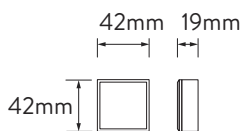
CONTROLLER



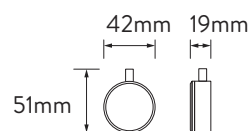
REMOTE



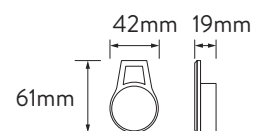
DIALS



PIAZZA (SHOWN ABOVE)
PIZ01 CHROME
PIZ02 WHITE/CHROME

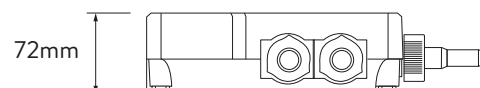
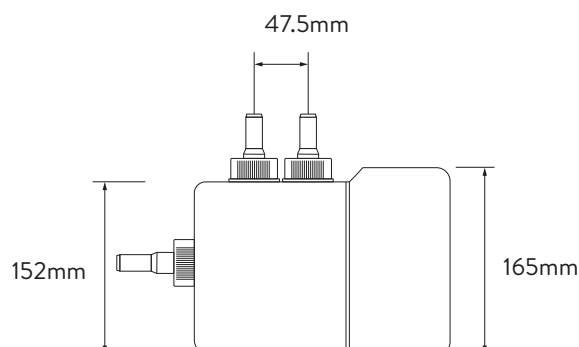


TONDO
TON01 CHROME
TON02 WHITE/CHROME



ASTRATTA
AST01 CHROME
AST02 WHITE/CHROME

PROCESSOR



AQUALISA

INF01HP

INFINIA™ SMART SHOWER

HP/COMBI

TECHNICAL SPECIFICATIONS

MINIMUM PRESSURE REQUIREMENTS	Processor must be sited no higher than the base level of the Cold Water Tank
MAXIMUM PRESSURE REQUIREMENTS	1 bar
PROCESSOR INLET FITTING CONNECTIONS	7 mm
VALVE INLET CENTRES	48mm
INLET SUPPLY POSITIONS	Hot right, cold left
PROCESSOR OUTLET FITTING CONNECTION	15mm
PERMISSIBLE QUARTZ SMART VALVE SITTING LOCATION	Loft, ceiling, airing cupboard, under bath
SUPPLY TEMPERATURE	Cold Inlet supply: 1°C (min), 15°C (max) Hot Inlet supply: 65°C
WATER SYSTEM	HP/Combi
FEATURES	One touch start/stop control LED temperature indicator Precision temperature control Digital divert option Remote control Eco-setting option
COLOUR	Chrome
GUARANTEE PERIOD	5 years
APPROVALS	CE Marking BEAB TMV2