

AQUALISA

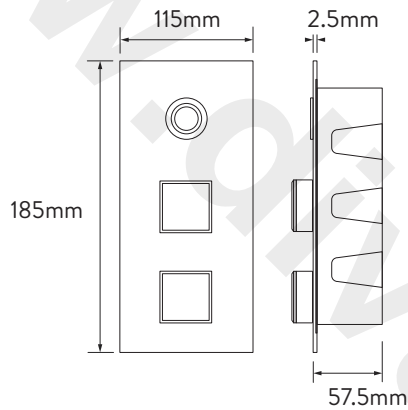
INF02GP

INFINIA™ SMART SHOWER DUAL OUTLET

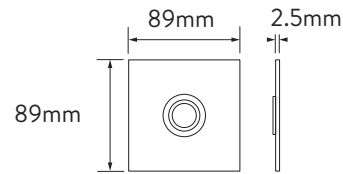
GRAVITY PUMPED

DIMENSIONAL DRAWINGS

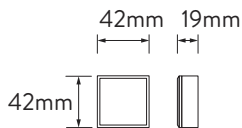
CONTROLLER



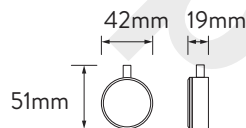
REMOTE



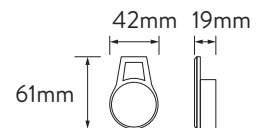
DIALS



PIAZZA (SHOWN ABOVE)
PIZ01 CHROME
PIZ02 WHITE/CHROME

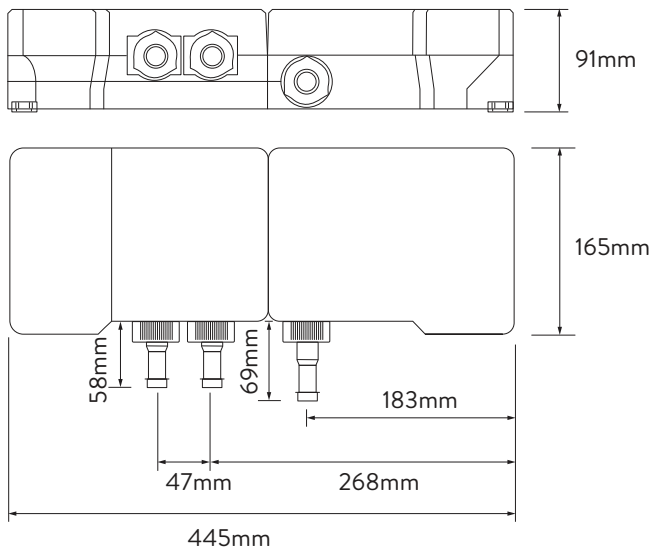


TONDO
TON01 CHROME
TON02 WHITE/CHROME

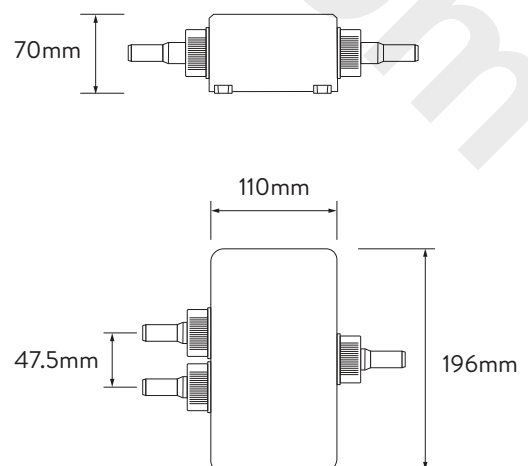


ASTRATTA
AST01 CHROME
AST02 WHITE/CHROME

PROCESSOR



DIVERTER



AQUALISA

INF02GP

INFINIA™ SMART SHOWER DUAL OUTLET

GRAVITY PUMPED

TECHNICAL SPECIFICATIONS

MINIMUM PRESSURE REQUIREMENTS	Processor must be sited no higher than the base level of the Cold Water Tank
MAXIMUM PRESSURE REQUIREMENTS	1 bar
PROCESSOR INLET FITTING CONNECTIONS	15mm
VALVE INLET CENTRES	48mm
INLET SUPPLY POSITIONS	Hot right, cold left
PROCESSOR OUTLET FITTING CONNECTION	15mm
PERMISSIBLE QUARTZ SMART VALVE SITTING LOCATION	Loft, ceiling, airing cupboard, under bath
SUPPLY TEMPERATURE	Cold Inlet supply: 1°C (min), 15°C (max) Hot Inlet supply: 65°C
WATER SYSTEM	Gravity Pumped
FEATURES	One touch start/stop control LED temperature indicator Precision temperature control Digital divert option Remote control Eco-setting option
COLOUR	Chrome
GUARANTEE PERIOD	5 years
APPROVALS	CE Marking BEAB