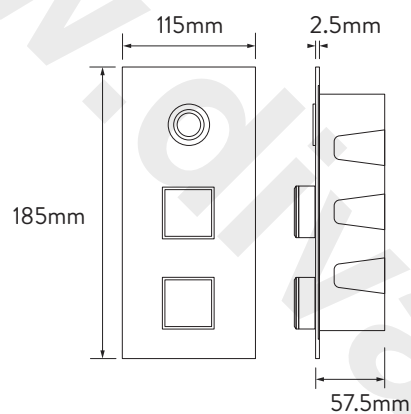


INFINIA™ SMART SHOWER DUAL OUTLET

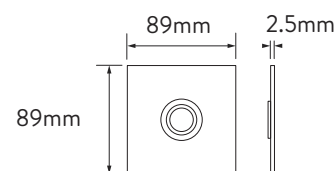
HP/COMBI

DIMENSIONAL DRAWINGS

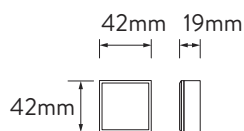
CONTROLLER



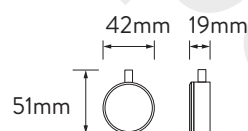
REMOTE



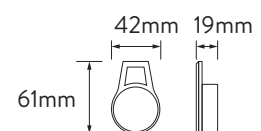
DIALS



PIAZZA (SHOWN ABOVE)
PIZ01 CHROME
PIZ02 WHITE/CHROME

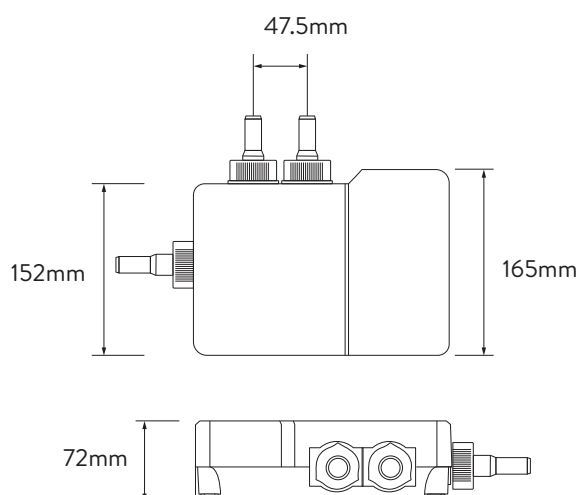


TONDO
TON01 CHROME
TON02 WHITE/CHROME

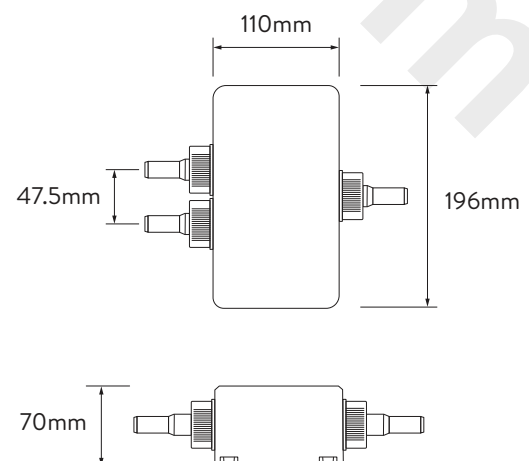


ASTRATTA
AST01 CHROME
AST02 WHITE/CHROME

PROCESSOR



DIVERTER



AQUALISA

INF02HP

INFINIA™ SMART SHOWER DUAL OUTLET

HP/COMBI

TECHNICAL SPECIFICATIONS

MINIMUM PRESSURE REQUIREMENTS	1 bar
MAXIMUM PRESSURE REQUIREMENTS	7 bar
PROCESSOR INLET FITTING CONNECTIONS	7 mm
VALVE INLET CENTRES	48mm
INLET SUPPLY POSITIONS	Hot right, cold left
PROCESSOR OUTLET FITTING CONNECTION	15mm
PERMISSIBLE QUARTZ SMART VALVE SITTING LOCATION	Loft, ceiling, airing cupboard, under bath
SUPPLY TEMPERATURE	Cold Inlet supply: 1°C (min), 15°C (max) Hot Inlet supply: 65°C
WATER SYSTEM	HP/Combi
FEATURES	One touch start/stop control
	LED temperature indicator
	Precision temperature control
	Digital divert option
	Remote control
	Eco-setting option
COLOUR	Chrome
GUARANTEE PERIOD	5 years
APPROVALS	CE Marking
	BEAB
	TMV2