

inta

Electronic Concealed Shower Valve for Premixed Water

IR130CP and IR131CP

Installation and Maintenance Instructions



inta

Intatec Ltd
Airfield Industrial Estate
Hixon
Staffordshire
ST18 0PF

In this procedure document we have endeavoured to make the information as accurate as possible.

We cannot accept any responsibility should it be found that in any respect the information is inaccurate or incomplete or becomes so as a result of further developments or otherwise.

© Intatec Ltd 2006

Tel: 01889 207200
Fax: 01889 271172
email: sales@intaco.co.uk
web: www.intaco.co.uk

Technical Data

Power Supply:	Internally mounted 9V battery or 9V transformer
Operating Water Pressure:	0.5 - 8 bar (7 -116 psi)
Sensor Range:	Factory setting 55cm. Adjustable.
Shower Time:	10 minutes
Delay In / Out Time:	10 seconds

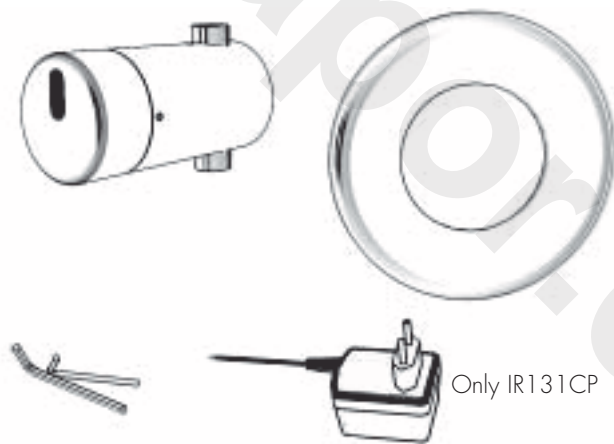
Check contents

Before commencing remove all components from packaging and check each component with the contents list.

Ensure all parts are present, before discarding any packaging. If any parts are missing, do not attempt to install your Inta electronic shower valve until the missing parts have been obtained.

IR130CP and IR131CP Shower Valves

Qty	Components
1 x	Cover plate
1 x	Electronic shower body and attachments
2 x	Allen keys 2.5mm and 4mm
1 x	Transformer - only supplied with IR131CP



Pre-Installation Information

Warnings

Do not install the sensor facing a mirror or any other electronic system operated by an infra-red sensor.

To prevent reflection problems, it is recommended there should be a minimum distance of 1.5 m between the flush valve and other objects.

Pre-Installation Information Cont.

Preparation for Installation

Flush water supply lines thoroughly before installing the flush valve. Do not allow dirt, PTFE tape or metal particles to enter the valve.

Shut off the water supply.

Important - All plumbing is to be installed in accordance with applicable codes and regulations.

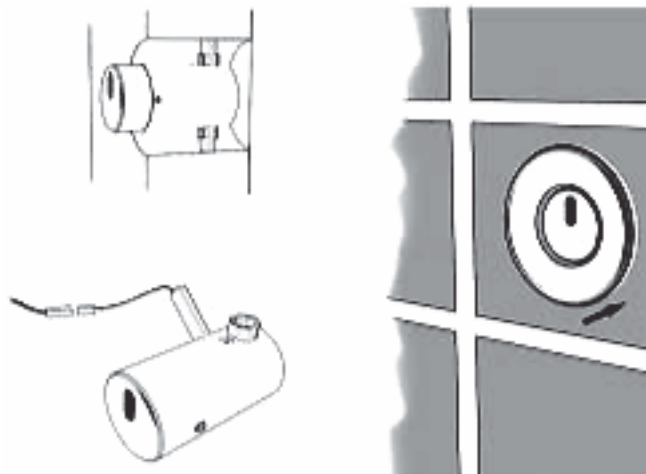
Installation

The Inta electronic shower valve is for use with premixed water in a concealed installation with access to the valve and pipework from behind or with the valve and pipework sunk into the wall.

In order to prevent scalding the water must be premixed using a thermostatic mixing valve.

A thermostatic mixing valve with integral isolating valves or a service valve should be installed in the pipework to the shower valve to allow the water supply to be isolated should servicing be required in the future.

1. Ensure that the water supply is isolated before commencing work.
2. Cut an adequate opening into the wall to accommodate the dimensions of the shower valve and if the IR131CP for the electrical wire.
3. Insert the valve through the wall opening and assemble the inlet to the water supply pipe in the wall.
4. Connect the outlet to the pipe leading to the shower head.
5. Mount the shower body to the wall so that it protrudes from the wall as shown below.
6. If the IR131CP place the transformer near to the electricity socket, which can be up to 3m away, and feed the wire through the hole to the shower valve.
7. Turn on the water supply and check the joints for any signs of leakage before proceeding.
8. After the ceramic tiles are installed assemble the cover plate over the shower valve and press to the wall.
9. If the sensor range is unsatisfactory, refer to the section entitled "Range Adjustment"



Adjusting the sensor range without a remote control (Adjust only if necessary)

The sensor range is the greatest distance, an object can be from the sensor, to activate the shower valve.

The factory setting should be satisfactory for most installations. If the range is too short (i.e. not sensing users) or too long (i.e. sensing the opposite wall), it may be adjusted as follows:

Disconnect the battery or switch off the electricity supply to the sensor.

For the IR130CP make a short circuit between the (+) and the (-) connections of the sensor for 5 seconds. A screw driver can be used or any conductive material to make this short circuit.

For the IR131CP after disconnecting the power supply, activate the sensor three or four times.

Do not make a short circuit on the power supply or on the sensor when the power supply is connected to the sensor.



Reconnect the power supply to the sensor.

To enter into the adjusting mode, put your hand in front of the sensor at a distance of 5cm (2") to 10cm (4") within 5 seconds of reconnecting the power supply.

Note: If you do not put your hand in front of the sensor after re-connecting the power supply, the sensor will not enter adjusting mode and the previous adjustment will return.

When the sensor enters the adjusting mode, with your hand in front of it, the red light will flash slowly.

Keep your hand in front of the sensor for 5 sec. until the slow flashing changes to quick flashing.

Now move your hand away from the sensor to the required distance and wait until the red light stops flashing.

When the red light stops flashing, the sensor has been adjusted to the required distance.

Check the new distance and if still unsatisfactory, repeat the procedure.

Adjusting the sensor with a remote control - optional

Hold the remote control in front of the sensor at a distance of about 10cm (4").

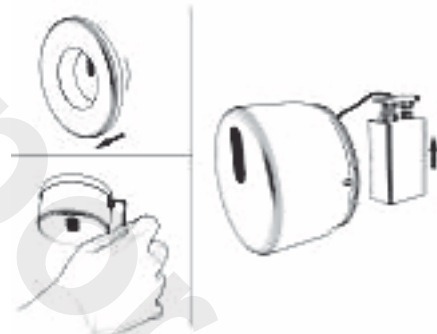
Select the function you want to adjust by pressing the button once.

The red light at the front of the sensor will start flashing quickly.

You can now make the adjustment by pressing the (-) or (+) buttons, every press will increase or decrease one increment of adjustment.

The following can be adjusted using the remote control buttons:

- Range** - The detection range is the greatest distance a person can be located to activate the sensor and is preset at the factory. Press (+) to increase and (-) to decrease the detection range of the sensor.
- Flow Time - Security Time#** - This function prevents a continuous flow from the shower due to a reflection or if the sensor is covered for more than 8 minutes the water flow will stop automatically, perhaps in the case of vandalism. Press (+) to increase and (-) to decrease the time.
- Delay In** - This function prevents an unwanted activation due to a person passing by without using the shower. The sensor will only be activated if the user is detected for the preset amount of time; press (+) to increase and (-) to decrease the time. It is recommended for showers, that this function is left at the factory setting .
- Delay Out** - This changes the time water continues to flow after the user is out of the sensor's range; press (+) to increase and (-) to decrease the time.
- On/Off** - This makes cleaning the shower easier without activating the system. Pressing the button once will prevent the solenoid from opening for two minute. To cancel this function press the on/off button again.
- Reset** - Restores the factory settings. Press and hold the button whilst pressing the (+) button once.



Battery Replacement - IR130CP only

When the battery starts to runout, the red indicator light will flash at a constant rate. The battery must be replaced within two weeks.

Remove the cover plate to expose the joint between the sensor housing and shower valve.

Release the cap screw retaining the housing for the sensor and battery, carefully pull out the battery.

Before reassembling the sensor housing ensure that the external 'O' ring has not been damaged, replacing if necessary.

Before reassembling the sensor housing to the shower valve body ensure that the interior of both components is completely dry, use absorbent paper cleaning roll to dry if required.

Replace the used battery with a new 9V battery, a Lithium battery is recommended.

Reconnect the solenoid valve electrical terminal to the mating terminal of electronic unit.

Locater the sensor housing onto the shower valve body and tighten the retaining cap screw.

Maintenance & Spare Parts

Filter Cleaning

This electronic shower is provided with a stainless steel filter to prevent foreign particles and debris from entering the shower valve.

If the water flow has decreased, this may be due to the filter becoming clogged with debris.

The filter can be cleaned as follows:

1. Turn off the service valve in the supply pipe to the shower valve (if fitted) or the isolating valves at the thermostatic mixing valve
2. Remove the cover plate to expose the joint between the sensor housing and shower valve.
3. Release the cap screw retaining the sensor housing and carefully pull out the sensor housing.
4. Shut off the valve using the 4mm Allen key.
5. Unscrew the filter's cover and remove the filter.
6. Wash the filter under clean running water.
7. Re-assemble the filter into the filter cover.
8. Refit the cover to the filter.
9. Open the valve using the 4mm Allen key and check to ensure there is no water leakage.
10. Refit the sensor housing to the valve and refit the cover plate.

Care and cleaning of chrome and special finishes

DO NOT use steel wool or cleansing agents containing alcohol, acid, abrasives, or similar chemicals.

The use of any prohibited cleaning or maintenance products could damage the surface of the shower valve.

For surface cleaning, use only **soap** (mild washing-up liquid) and **water**, then wipe dry with a clean cloth or towel.

When cleaning bathroom tile, the shower valve should be protected against any splashing of harsh cleansers.

Limited Warranty

This product is covered by a limited warranty for one year from date of purchase.

During this period, Intatec Ltd undertakes, at its option, to repair or replace any faults caused by defective materials or manufacturer that may arise.

The guarantee does not cover faults or damage caused by incorrect installation and/or maintenance, wear and tear, battery and water deposits or leakage. This includes, but is not limited to the following:

Pressures and temperatures exceeding the recommended limits.

Improper manipulation, tampering, bad or lapsed maintenance.

Foreign bodies, dirt or scale introduced by the water supply.

Trouble Shooting

Problem	Indicator	Cause	Solution
Water does not come out of the shower head	Sensor flashes continuously	Low Battery	Replace battery
	Red light in the sensor does not flash when user steps within the sensor's range	Range is too short	Increase range
		Range is too long	Decrease range
		Battery is completely used up	Replace battery
		Unit is in 'Security Mode'*	Remove article covering sensor
	Sensor is picking up reflections from mirror or other object.	Remove cause of reflection	
	Red light in the sensor flashes when the user steps within the sensor's range	Cables between the electronic unit and solenoid are disconnected	Reconnect the electronic unit to the solenoid valve
Debris or scale in solenoid		Unscrew the solenoid, pull out the plunger and the spring from the solenoid and clean them	
The water pressure is higher than 8 bar		Reduce the supply water pressure	
Water flow does not stop	Sensor flashes when the user steps within the sensor's range	Debris or scale in piston	Clean the piston and orifice
	Red light in the sensor does not flash when the user steps within the sensor's range	Sensor is dirty or covered#	Clean or remove cause of interference
		Sensor is picking up reflections from mirror or another object	Decrease the range or remove the cause of the reflection

* 'Security Mode': If the sensor is covered for more that 8minutes seconds the shower will automatically shut off.

Water flow will stop after 8minutes because of security time.

Spare Parts List

Item	Component	Component No.
1	Seals and screw kit: 'O' rings, screws and gasket	
2	Sensor kit: Infra red sensor and 'O' ring	
3	Filter stop valve kit: Filter assembly	
4	Cover kit: Cover plate, 'O' ring, screw and gasket	
5	Solenoid valve kit: Solenoid valve and diaphragm	
6	Diaphragm	
7	Cover plate kit: Panel and gasket	

Intatec Limited
Airfield Industrial Estate
Hixon
Staffordshire
ST18 0PF

Tel: **01889 207200**
Fax: **01889 271172**
email: **sales@intaco.co.uk**
web: **www.intaco.co.uk**