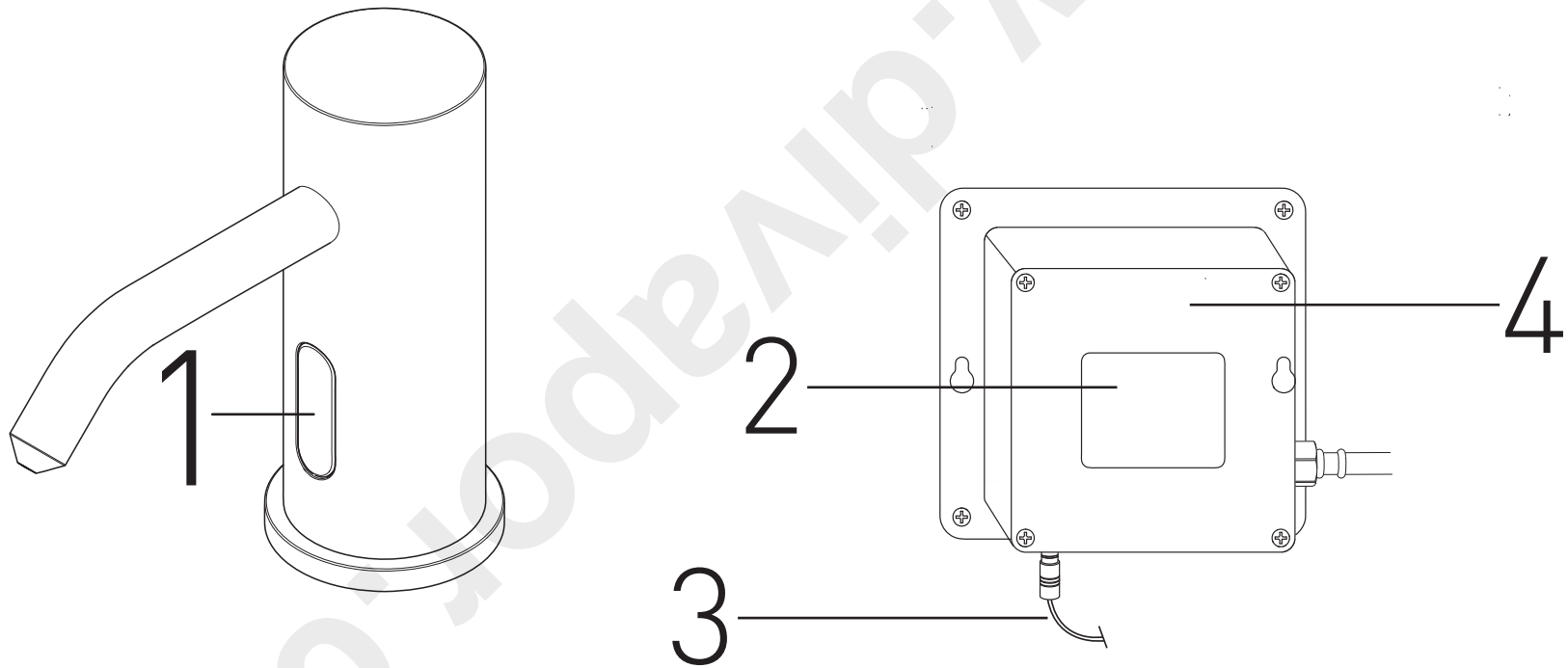


Product Code: IRSD1-CP

Revision: D1



1	Sensor
2	Solenoid Valve
3	Transformer
4	Control Box