

Sequential Thermostatic Basin Mixer Taps

**easy to grip,
safe touch body**

Introduction

The Intatherm safe touch thermostatic basin mixer tap, designed for both domestic and commercial applications. A new stylish design featuring Inta's proven anti scald technology, a safe touch body and a self draining spout.

With two lever options available and a smooth function cartridge, the tap can be operated easily by either hand or elbow with proven thermostatic protection the tap is the ideal solution for less able facilities, sheltered accommodation and also domestic bathrooms.



- Simple smooth operation
- Integral Thermostatic mixing valve
- Easy to grip handle options
- TMV3 and WRAS Approved
- Safe Touch body
- Copper inlet tails
- Self draining spout

Products

Intatherm Safe Touch Sequential Thermostatic Mixer Tap	IT1005CP
--	----------

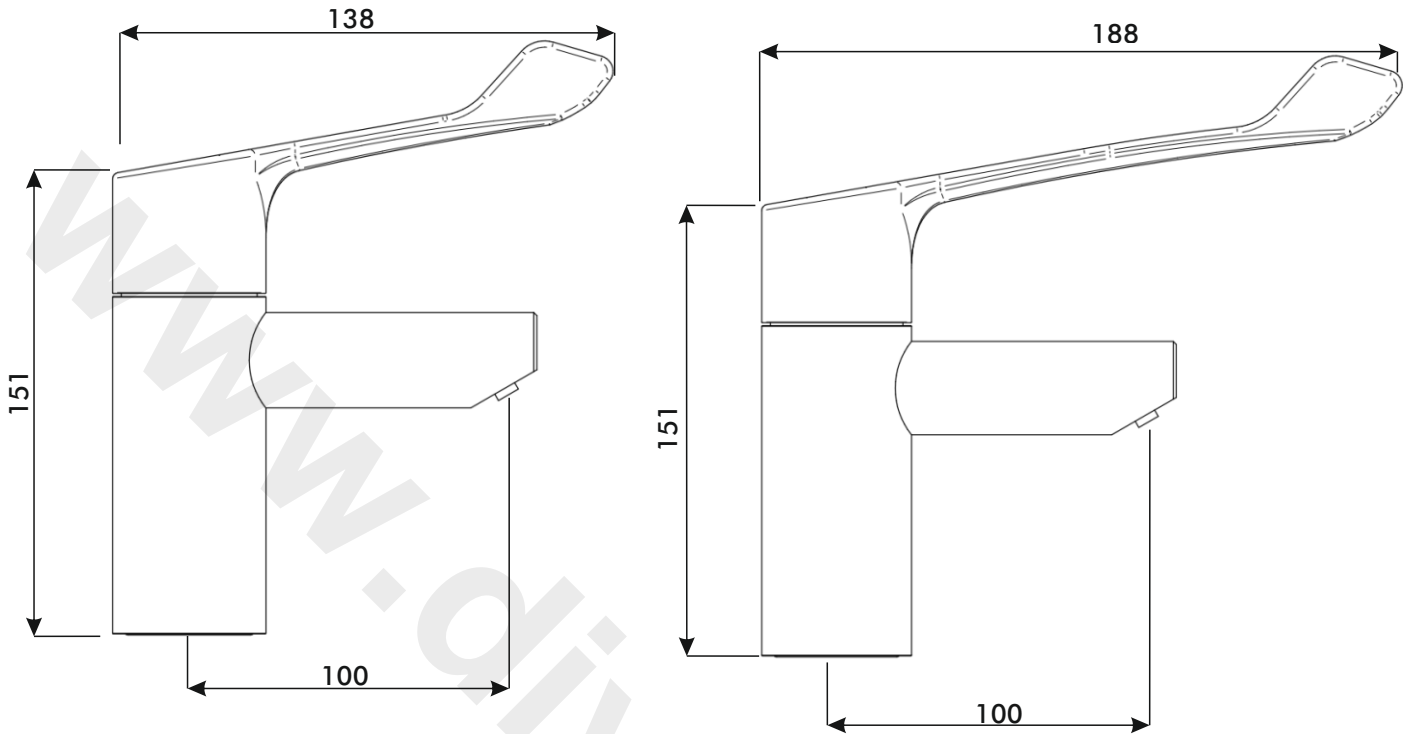
Intatherm Safe Touch Sequential Thermostatic Mixer Tap	IT1006CP
--	----------

Technical Specifications

■ MAX INLET TEMPERATURE	85°C
■ FACTORY SET TEMPERATURE	43°C
■ TEMPERATURE STABILITY	±2°C
■ MAX OPERATING PRESSURE	10 BAR STATIC
■ MIN INLET PRESSURE	0.2 BAR DYNAMIC
■ MIN TEMPERATURE TO ACHIEVE FAILSAFE	10°C
■ MAX PRESSURE INLET DIFFERENTIAL	5:1



Sequential Thermostatic Basin Mixer Taps



Flow Rate For IT1005CP

