

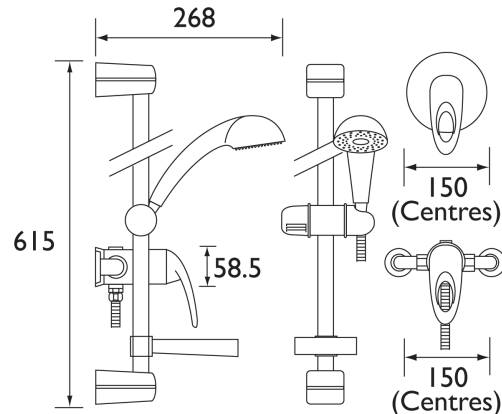
## TECHNICAL DATASHEET

### JAVA

JAVA MANUAL SURFACE MOUNTED / RECESSED SHOWER VALVE WITH ADJUSTABLE RISER

### Product Specification

<b>Product Code:</b>	J SHUMAR C
<b>Finish:</b>	Chrome
<b>Product Type:</b>	Contemporary
<b>Construction:</b>	Bodies are of all brass construction
<b>Cartridge/Valve Type:</b>	40mm Ceramic Cartridge
<b>Supply:</b>	Suitable for all plumbing systems, preferably balanced
<b>Inlet Connections:</b>	15mm compression elbows
<b>Outlet Connection:</b>	G 1/2"
<b>Water Pressure:</b>	Min 0.1 bar, Max. 10.0bar
<b>Dimensions for Fitting:</b>	150mm inlet centres



### Additional Information

- Single Lever Control - Flow and temperature are controlled by an easily operated single handle
- Ceramic cartridge ensures future maintenance, cost and inconvenience is kept to a minimum
- It should be noted this shower is non-thermostatic therefore not sensitive to changes in incoming temperature or pressure
- Swivel inlet elbows with 150mm centres, valve can be fed from top, bottom or rear
- Shower is a universal type and can be surface mounted or recessed
- Shower supplied with fully adjustable riser kit with single function rub clean handset, 1.5m hose, hose retainer & soap tray
- Chrome plated to BS EN 248
- Metal handle

**Technical Advice:** For further information please call 0844 7016273 or email [customer@bristan.com](mailto:customer@bristan.com).  
**Guarantee:** 5 years covering manufacturing faults.

### Compliance/Approvals

**WRAS:** Pending

Flow Rates (litres per minute, open outlet)

System Pressure	0.1bar	0.2bar	0.5bar	1bar	3bar	5bar
J SHUMAR C	5.2	7.3	11.5	16.6	29.4	38.0