



LEFROY BROOKS

IBROC HOUSE ESSEX ROAD
HODDESDON HERTS EN11 0QS UK
T: +44 (0)1992 708 316 F: +44 (0)1992 708 317

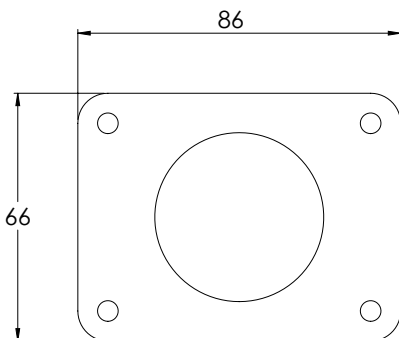
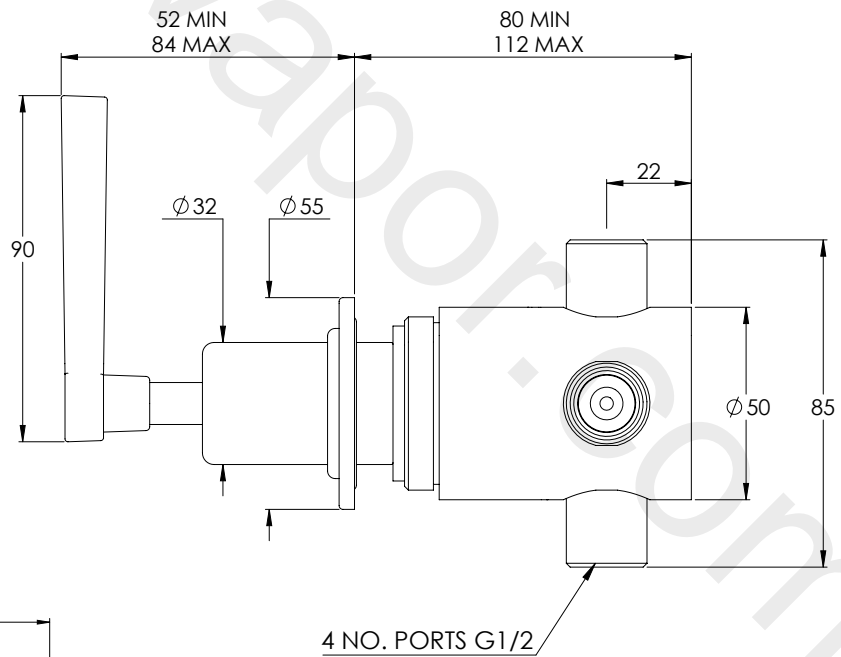
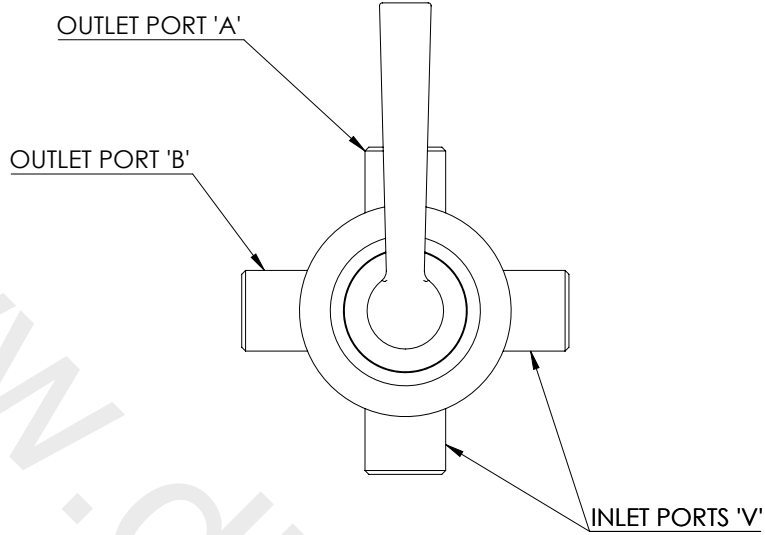
JL1721

JANEY MAC WALL MOUNTED TWO-WAY DIVERTER

DIMENSIONAL DATA SHEET

DATE: 05/08/21

REVISION: A



WALL MOUNTING PLATE
(OPTIONAL)

DIMENSIONS IN MILLIMETRES

COPYRIGHT © LBIP LTD. ALL RIGHTS RESERVED