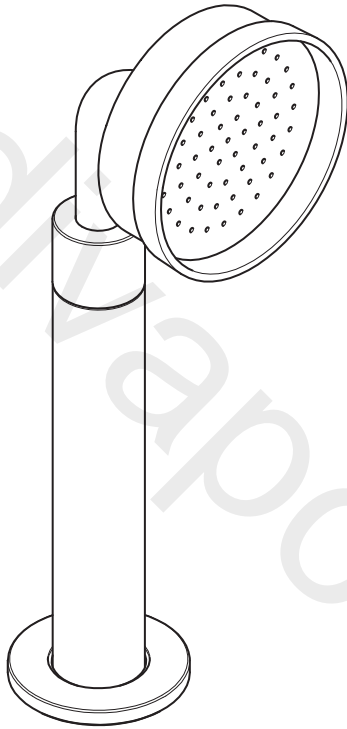


2143

DECK MOUNTED HAND SHOWER

INSTALLATION GUIDE



LEFROY BROOKS

IMPORTANT INFORMATION

Professional installation

We recommend that our products are fitted by a fully qualified professional plumber. They should be installed correctly and in accordance with all local water regulations and the system protected by non-return valves (not supplied). All products should be accessible for routine servicing.

Suits all systems

This Lefroy Brooks product is potentially suitable for every possible application, type of boiler and water supply pressure. However, if your supply pressure is below 1 bar it is advisable to fit a water pump. For systems with combination boilers, it is not advisable to fit pumps (refer to boiler manufacturer).

Supply connections

The shower hose has a G $\frac{1}{2}$ ($\frac{1}{2}$ " BSP) nut.

Flushing system

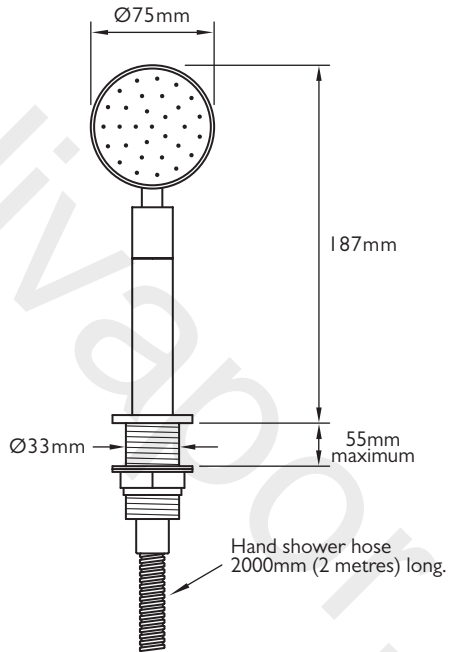
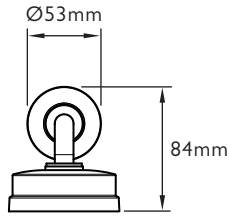
It is most important to flush out all pipework thoroughly before connecting the product. This will prevent the shower rose becoming blocked with debris.

Servicing

Suitable access should be available to aid any future maintenance/servicing. Installing isolation valves will make servicing much easier (not supplied).

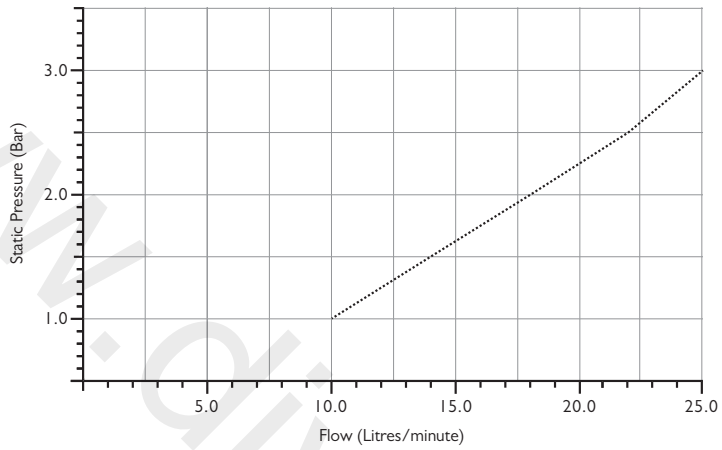
All serviceable parts are available to maintain your Lefroy Brooks product (contact retailer for details).

DIMENSIONS



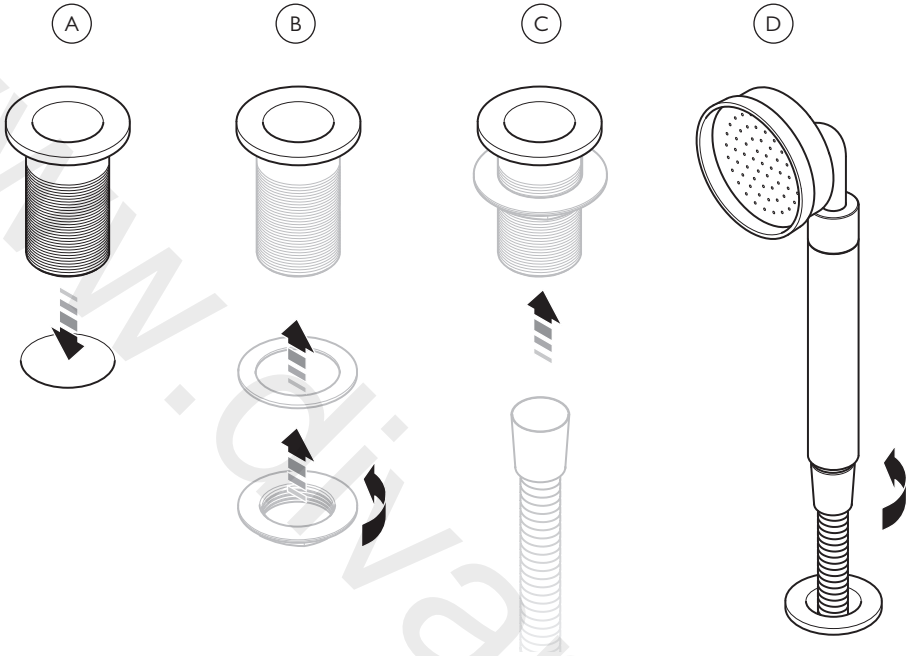
Not to scale

TYPICAL FLOW RATES



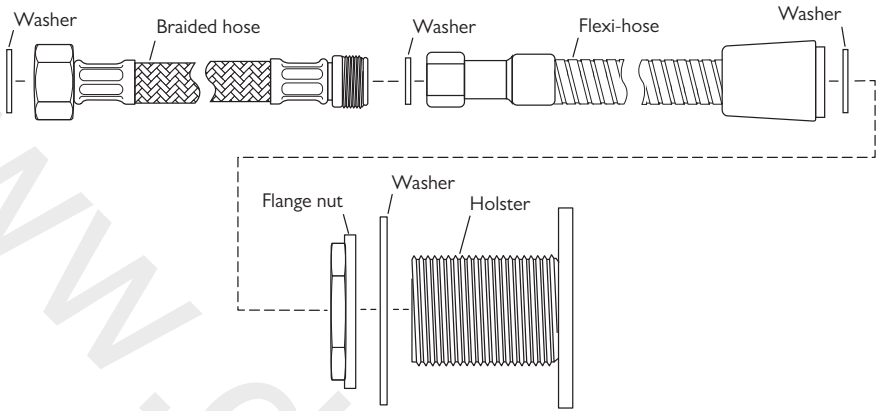
Note: Balance pressures shown are applied directly to the hot and cold inlets; flow rates indicated are free flowing and may vary subject to restrictions created by installation, pipework, layout or application.

INSTALLATION



- 1 Cut a suitable hole in the work surface for the holster.
- 2 Locate the holster into the hole (A).
- 3 With the washer in place, screw the flange nut in place to secure (B).
- 4 Pass the shower hose through the holster (C).
- 5 Screw the shower hose onto the bottom of the hand shower then rest the hand shower in the holster (D).
- 6 Connect the shower to a mixed water supply. It is important to avoid tight bends which may flatten the hoses causing reduced water flow.
- 7 Turn on the water supply and check for leaks.

SERVICING GUIDELINE



REPLACEMENT PARTS

- PSH043 – Flexible & braided hose set, excluding holster.
- PSH105 – Deck mounted holster including washer and flange nut.
- MK 2104 – Hand shower rose.



CONTRACT ENQUIRIES

+44 (0)1992 708 316

info@lefroybrooks.co.uk

CUSTOMER SERVICE, SPARES & TECHNICAL ENQUIRIES

+44 (0)1902 390 894

technical@lefroybrooks.co.uk

LEFROYBROOKS.CO.UK

Whilst every effort is made to ensure the accuracy of these, they are subject to change without notice as part of the company's product development process. The use of trademarks, product design and artwork is subject to licence or agreement with LBIP Ltd. The design registrations, trademark registrations and copyrights are protected by law and the use or reproduction outside the terms of an agreement is prohibited. The right to modify designs and dimensions is reserved. LBIP Ltd is a member of ACID (Anti Copying in Design). E&OE