

## Features

- Two sculpted lever handles allow for both volume and temperature control
- 5-1/8" (130 mm) spout reach
- 1.2 gpm (4.5 lpm) maximum flow rate at 60 psi (4.14 bar)
- Includes metal pop-up drain with 1-1/4" tailpiece
- KOHLER ceramic disc valves exceed industry longevity standards for a lifetime of durable performance
- Coordinates with Forté™ faucets, accessories, and showering components to complete your bathroom

## Material

- Premium metal construction for durability and reliability
- KOHLER finishes resist corrosion and tarnishing

## Installation

- Handles are preassembled on valves to simplify installation
- Quick-connect fittings make installation easy
- For 8" - 16" (203 - 406 mm) centers
- Widespread

## Recommended Products/Accessories

- K-23726 Drain treatment
- K-23723 Faucet cleaner



## Codes/Standards

ASME A112.18.1/CSA B125.1  
 NSF/ANSI/CAN 61  
 NSF/ANSI/CAN 372  
 All applicable US Federal and State material regulations  
 DOE - Energy Policy Act 1992  
 EPA WaterSense™  
 California Energy Commission (CEC)  
 ADA  
 ICC/ANSI A117.1  
 CSA B651  
 OBC

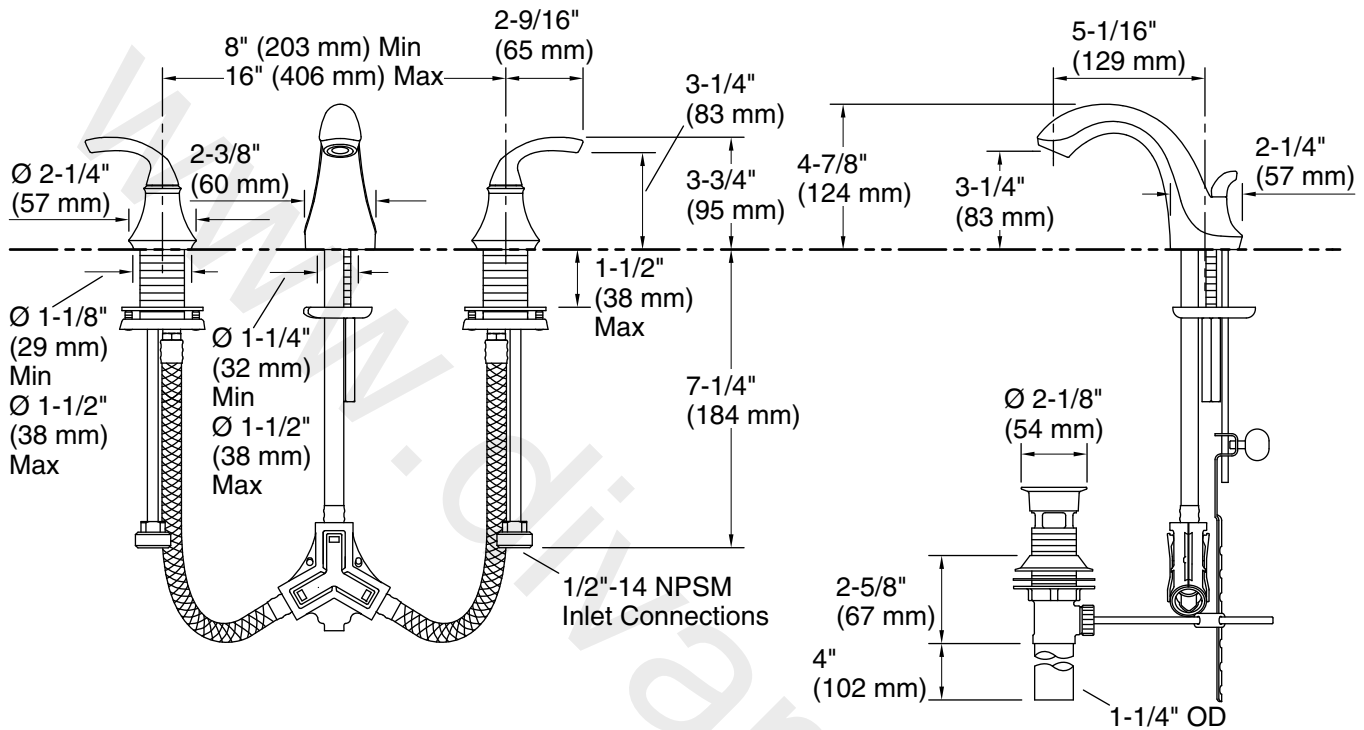
## KOHLER® Faucet Lifetime Limited Warranty

See website for detailed warranty information.

## Available Colors/Finishes

*Color tiles intended for reference only.*

Color	Code	Description
	CP	Polished Chrome
	BN	Vibrant™ Brushed Nickel



### Technical Information

All product dimensions are nominal.

#### Faucet:

Flow rate: 1.2 gal/min (4.5 l/min)

Pressure: 60 psi (4.1 bar)

Drain included: Yes

#### Spout:

Spout reach: 5-1/16" (129 mm)

### Notes

Install this product according to the installation guide.

ADA compliant for handles only.

ADA, OBC, CSA B651 compliant when installed to the specific requirements of these regulations.