

### Features

- Metal construction
- Quarter-turn washerless ceramic disc valves
- Pop-up drain with tailpiece
- 4-1/2" (114 mm) spout reach
- Lower flow aerator options are available
- 1.2 gpm (4.5 lpm) maximum flow rate at 60 psi (4.14 bar)

### Material

- Brass valve bodies
- KOHLER finishes resist corrosion and tarnishing

### Installation

- For 8" - 16" (203 - 406 mm) centers

### Recommended Products/Accessories

- K-23726 Drain treatment
- K-23723 Faucet cleaner
- K-13500 18" Towel Bar
- K-13501 24" Towel Bar
- K-13504 Pivoting toilet paper holder
- K-13505 Robe Hook
- K-13507 Towel Ring

### Optional Products/Accessories

- 1201610 Medium Concealed Laminar 1.0 gpm (3.8 l/min)



**ADA** **CSA B651** **OBC**

### Codes/Standards




ASME A112.18.1/CSA B125.1  
NSF/ANSI/CAN 61  
NSF/ANSI/CAN 372  
All applicable US Federal and State material regulations  
DOE - Energy Policy Act 1992  
EPA WaterSense™  
California Energy Commission (CEC)  
ADA  
ICC/ANSI A117.1  
CSA B651  
OBC

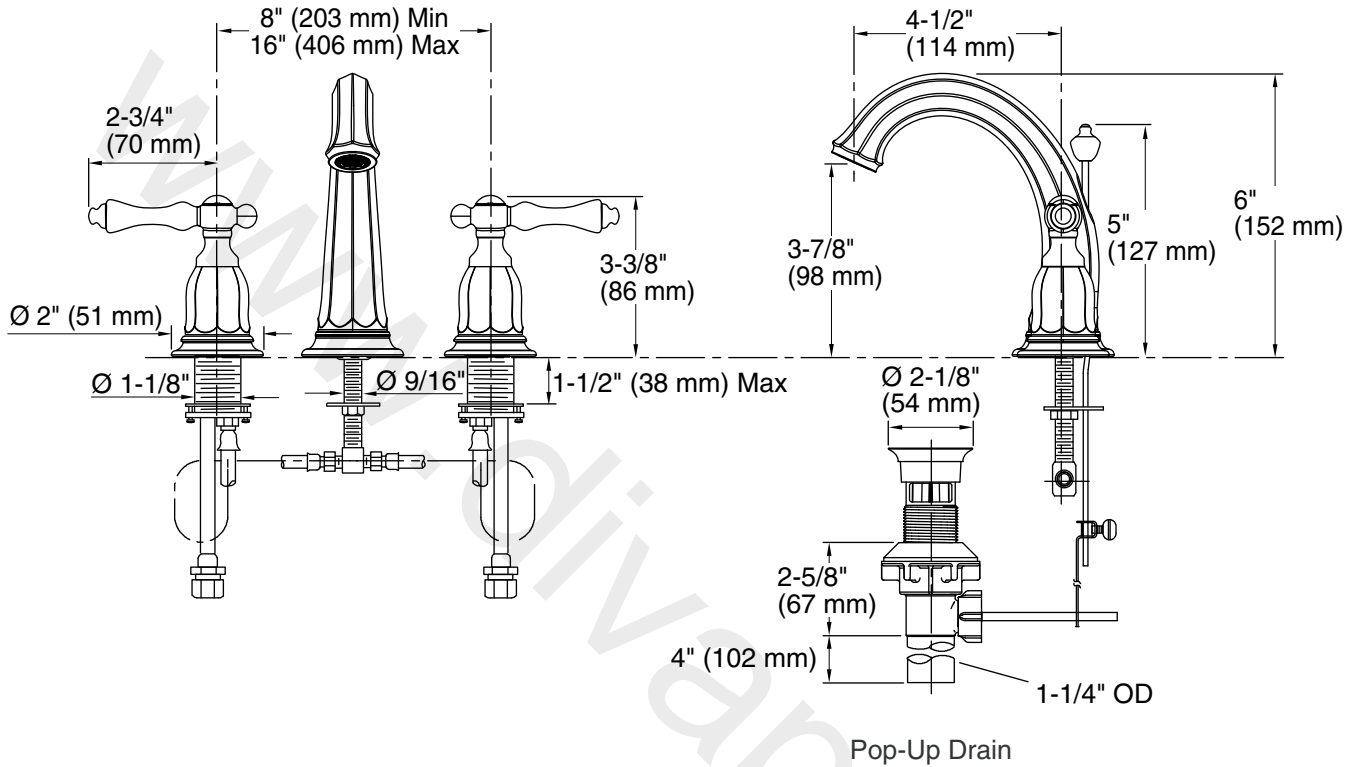
### KOHLER® Faucet Lifetime Limited Warranty

See website for detailed warranty information.

### Available Colors/Finishes

*Color tiles intended for reference only.*

Color	Code	Description
	CP	Polished Chrome
	BN	Vibrant™ Brushed Nickel
	2BZ	Oil-Rubbed Bronze



### Technical Information

All product dimensions are nominal.

#### Faucet:

Flow rate: 1.2 gal/min (4.5 l/min)

Pressure: 60 psi (4.1 bar)

Drain included: Yes

#### Spout:

Spout reach: 4-1/2" (114 mm)

### Notes

Install this product according to the installation guide.

ADA compliant for handles only.

ADA, OBC, CSA B651 compliant when installed to the specific requirements of these regulations.