

Features

- Preassembled handle and flexible supply hoses simplify installation
- 1.2 gpm (4.5 lpm) maximum flow rate
- 4-3/16" (107 mm) stationary spout reach
- Single lever handle allows for both volume and temperature control
- KOHLER ceramic disc valves exceed industry longevity standards for a lifetime of durable performance
- Red/blue indexing on handle
- Temperature memory allows faucet to be turned on and off at the temperature set during prior usage
- Includes metal pop-up drain with 1-1/4" tailpiece
- Coordinates with Coralais faucets, accessories, and showering components to complete your bathroom

Material

- Premium metal construction for durability and reliability
- KOHLER finishes resist corrosion and tarnishing

Installation

- Bath- or deck-mount
- Preattached flexible supply lines simplify installation
- For 4" (102 mm) centers

Recommended Products/Accessories

K-23726 Drain treatment

Optional Products/Accessories

1160594 .35 gpm Aerator, Large



ADA

CSA B651

OBC

Codes/Standards

ASME A112.18.1/CSA B125.1
NSF/ANSI/CAN 61
NSF/ANSI/CAN 372
All applicable US Federal and State material regulations
DOE - Energy Policy Act 1992
EPA WaterSense™
California Energy Commission (CEC)
ADA
ICC/ANSI A117.1
CSA B651
OBC

KOHLER® Faucet Lifetime Limited Warranty

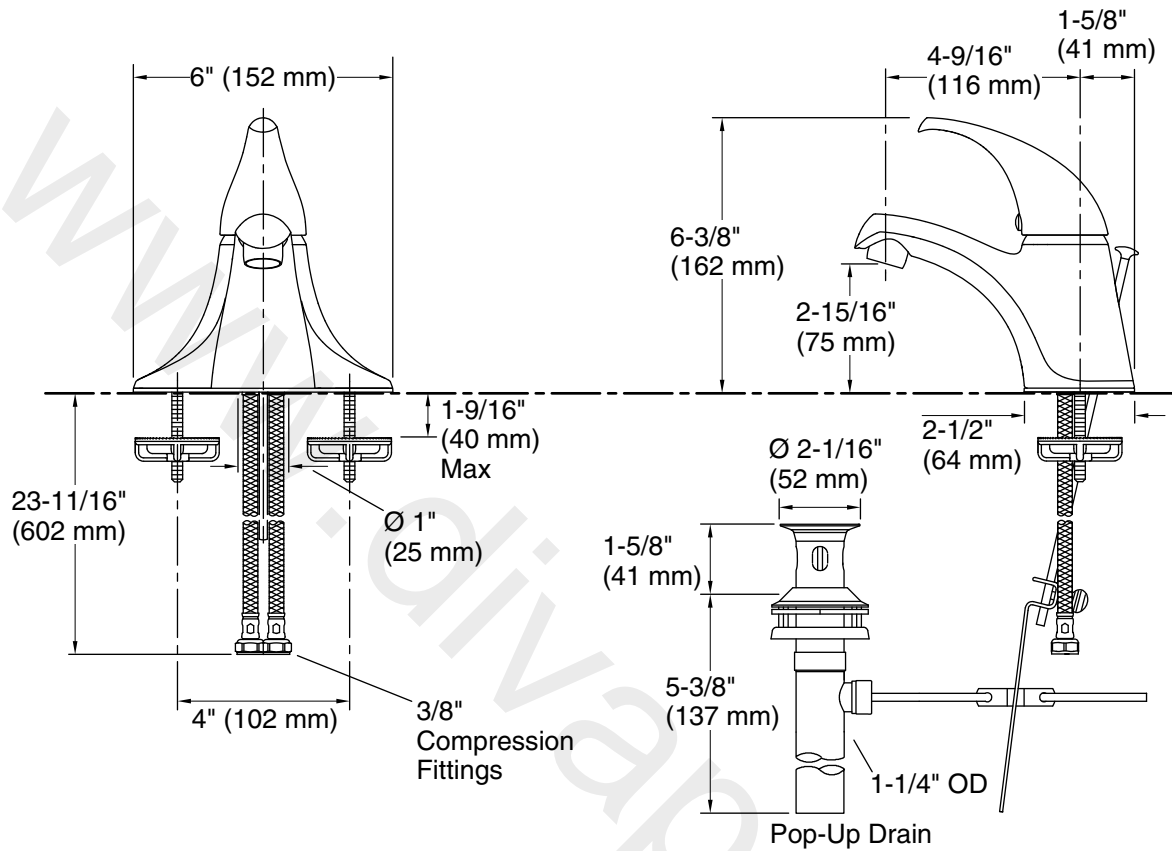
See website for detailed warranty information.

Available Colors/Finishes

Color tiles intended for reference only.

Color	Code	Description
-------	------	-------------

	CP	Polished Chrome
---	----	-----------------



Technical Information

All product dimensions are nominal.

Faucet:

Flow rate: 1.2 gal/min (4.5 l/min)

Pressure: 60 psi (4.1 bar)

Drain included: Yes

Drain with overflow: Yes

Spout:

Spout reach: 4-9/16" (116 mm)

Notes

Install this product according to the installation guide.

ADA complaint for faucet handles only.

ADA, OBC, CSA B651 compliant when installed to the specific requirements of these regulations.