

### Features

- Metal construction
- 4-7/16" (112 mm) spout reach
- Pop-up drain with lift rod and tailpiece
- Stationary spout
- Red/blue indexing
- Complements Coralais faucets and accessories
- 1.2 gpm (4.5 lpm) maximum flow rate at 60 psi (4.14 bar)

### Installation

- For 4" (102 mm) centers

### Recommended Products/Accessories

K-23726 Drain treatment  
K-23723 Faucet cleaner

### Optional Products/Accessories

1160594 .35 gpm Aerator, Large



ADA	CSA B651	OBC
-----	----------	-----

### Codes/Standards

ASME A112.18.1/CSA B125.1  
NSF/ANSI/CAN 61  
NSF/ANSI/CAN 372  
All applicable US Federal and State material regulations  
DOE - Energy Policy Act 1992  
EPA WaterSense™  
California Energy Commission (CEC)  
ADA  
ICC/ANSI A117.1  
CSA B651  
OBC

### KOHLER® Faucet Lifetime Limited Warranty

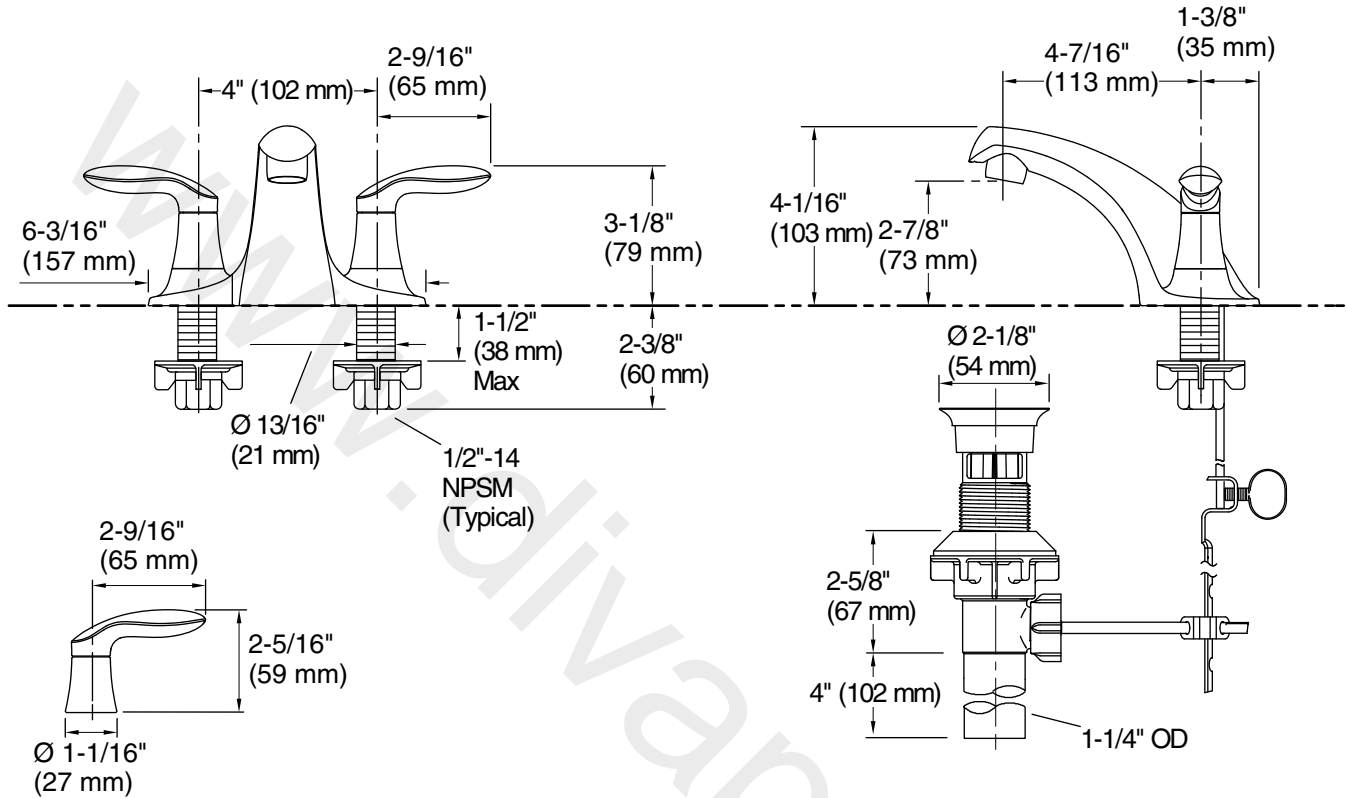
See website for detailed warranty information.

### Available Colors/Finishes

*Color tiles intended for reference only.*

Color	Code	Description
-------	------	-------------

	CP	Polished Chrome
---	----	-----------------



### Technical Information

All product dimensions are nominal.

#### Faucet:

Flow rate: 1.2 gal/min (4.5 l/min)

Pressure: 60 psi (4.1 bar)

Drain with overflow: Yes

#### Spout:

Spout reach: 4-7/16" (113 mm)

### Notes

Install this product according to the installation guide.

ADA compliant for handles only.

ADA, OBC, CSA B651 compliant when installed to the specific requirements of these regulations.