

### Features

- Two deco lever handles allow for both volume and temperature control
- Includes pop-up drain with 1-1/4" (32 mm) tailpiece
- 1.2 gpm (4.5 lpm) maximum flow rate at 60 psi (4.14 bar)
- 5" (127 mm) spout reach
- KOHLER ceramic disc valves exceed industry longevity standards for a lifetime of durable performance
- Coordinates with Memoirs Stately faucets, accessories, and showering components to complete your bathroom

### Material

- Premium metal construction for durability and reliability
- KOHLER finishes resist corrosion and tarnishing

### Installation

- Handles are preassembled on valves to simplify installation
- For 8" - 16" (203 - 406 mm) centers
- Widespread

### Recommended Products/Accessories

K-23726 Drain treatment

### Optional Products/Accessories



ADA

CSA B651

OBC

### Codes/Standards

ASME A112.18.1/CSA B125.1

NSF/ANSI/CAN 61

NSF/ANSI/CAN 372

All applicable US Federal and State material regulations

DOE - Energy Policy Act 1992

EPA WaterSense™

California Energy Commission (CEC)

ADA

ICC/ANSI A117.1

CSA B651

OBC

### KOHLER® Faucet Lifetime Limited Warranty

See website for detailed warranty information.

### Available Colors/Finishes

*Color tiles intended for reference only.*

Color	Code	Description
-------	------	-------------



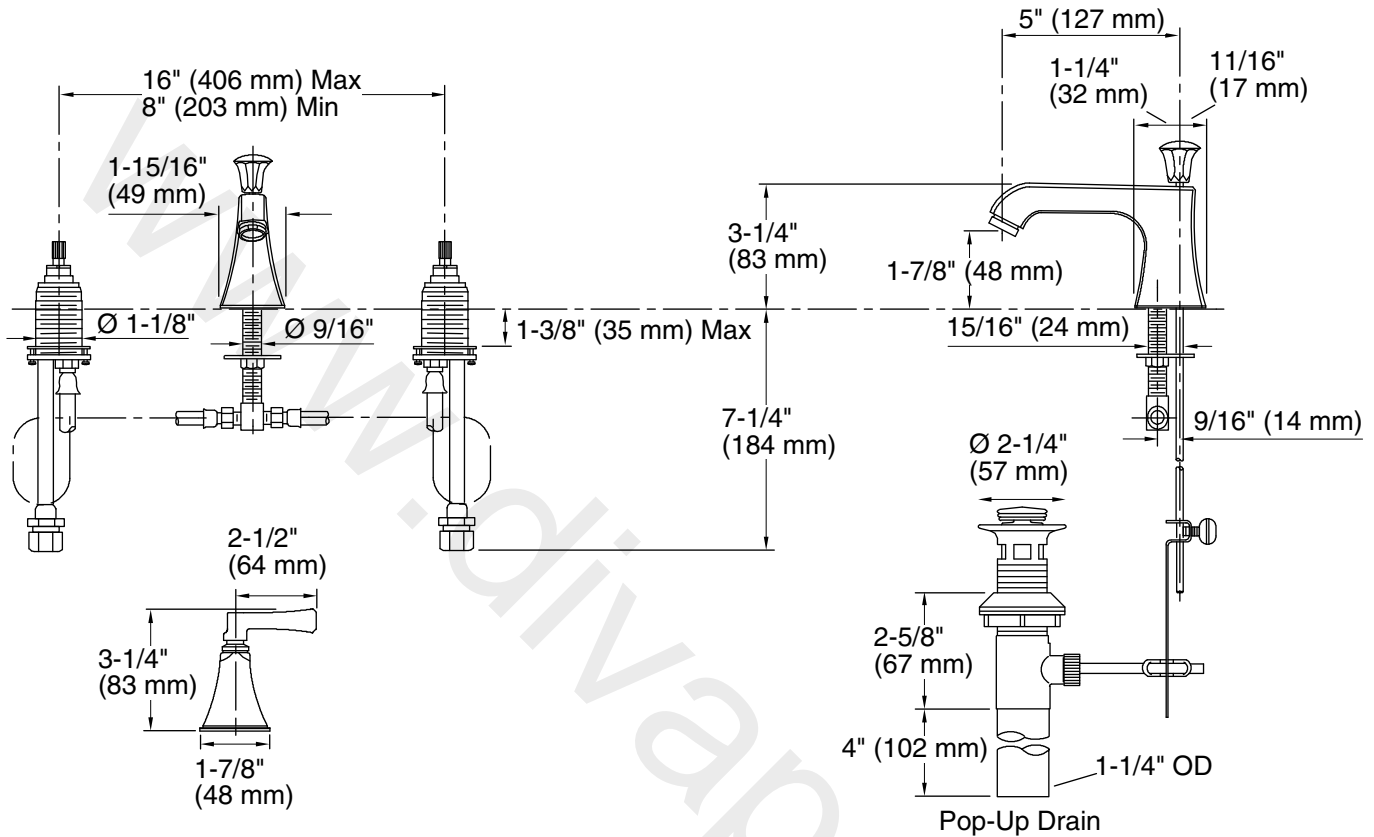
CP Polished Chrome



BN Vibrant™ Brushed Nickel



BV Vibrant™ Brushed Bronze



### Technical Information

All product dimensions are nominal.

#### Faucet:

Flow rate: 1.2 gal/min (4.5 l/min)

Pressure: 60 psi (4.1 bar)

Drain included: Yes

#### Spout:

Spout reach: 5" (127 mm)

### Notes

Install this product according to the installation guide.

ADA compliant for handles only.

ADA, OBC, CSA B651 compliant when installed to the specific requirements of these regulations.