

Features

- A single handle controls both on/off activation and temperature setting
- KOHLER ceramic disc valves exceed industry longevity standards for a lifetime of durable performance
- Coordinates with other products in the Components collection

Material

- Premium metal construction for durability and reliability
- KOHLER finishes resist corrosion and tarnishing

Installation

- Wall-mount

Required Products/Accessories

K-T23888 Wall-mount bathroom sink faucet spout with Ribbon design, 1.2 gpm

or

K-T23889 Wall-mount bathroom sink faucet spout with Row design, 1.2 gpm

or

K-T23890 Wall-mount bathroom sink faucet spout with Tube design, 1.2 gpm

Recommended Products/Accessories

K-78372 18" Towel Bar
 K-78373 24" Towel Bar
 K-78375 24" Double Towel Bar
 K-78377 Hand Towel Arm
 K-78378 Robe Hook
 K-78379 Double Towel Arm
 K-78382 Pivoting toilet paper holder
 K-78383 Vertical toilet paper holder
 K-78384 Covered double toilet paper holder

Optional Products/Accessories

K-7107 Decorative Drain
 K-7108 Decorative Drain
 K-7114 Pop-Up Drain
 K-7114-A Pop-Up Drain
 K-7124 Pop-Up Clicker Drain
 K-7124-A Pop-Up Clicker Drain
 K-7127 Drain
 K-7127-A Drain
 K-7129 Drain
 K-7129-A Drain



ADA CSA B651 OBC

Codes/Standards


ASME A112.18.1/CSA B125.1
 NSF/ANSI/CAN 61
 NSF/ANSI/CAN 372
 All applicable US Federal and State material regulations
 ADA
 ICC/ANSI A117.1
 CSA B651
 OBC

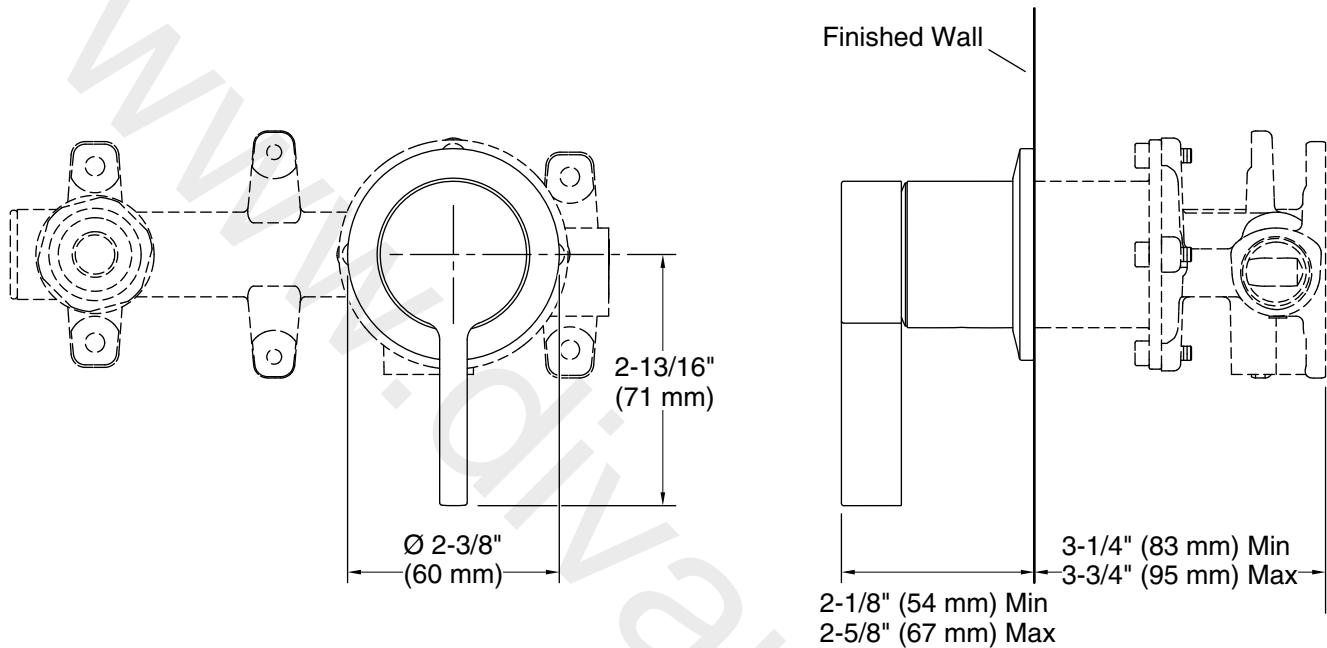
KOHLER® Faucet Lifetime Limited Warranty

See website for detailed warranty information.

Available Colors/Finishes

Color tiles intended for reference only.

Color	Code	Description
	CP	Polished Chrome
	BN	Vibrant™ Brushed Nickel
	BL	Matte Black
	2MB	Vibrant™ Brushed Moderne Brass



Technical Information

All product dimensions are nominal.

Drain included: No

Notes

Install this product according to the installation instructions.

ADA compliant for handles only.

ADA, OBC, CSA B651 compliant when installed to the specific requirements of these regulations.