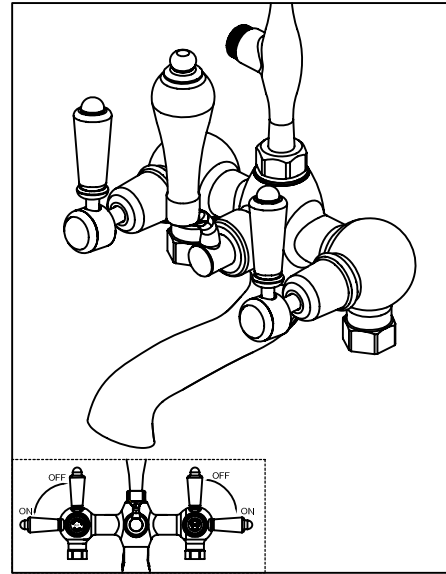
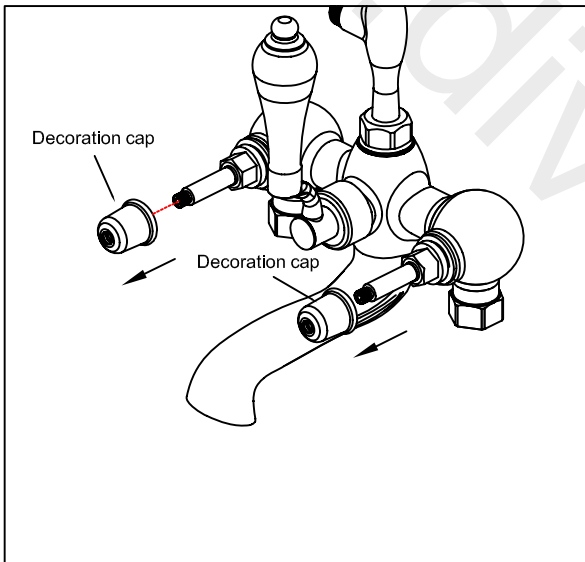


Factory re-setting handle position

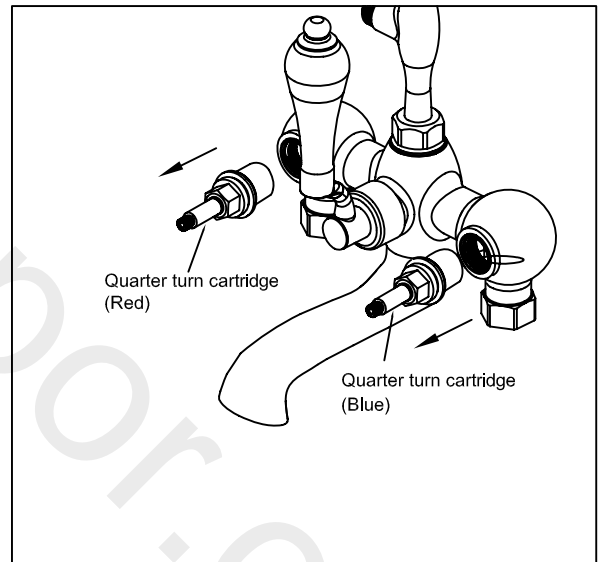


Recommended lever position

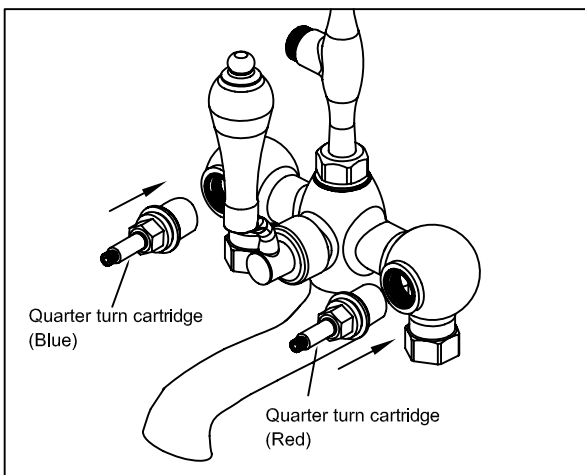
Cartridge Change Instruction:



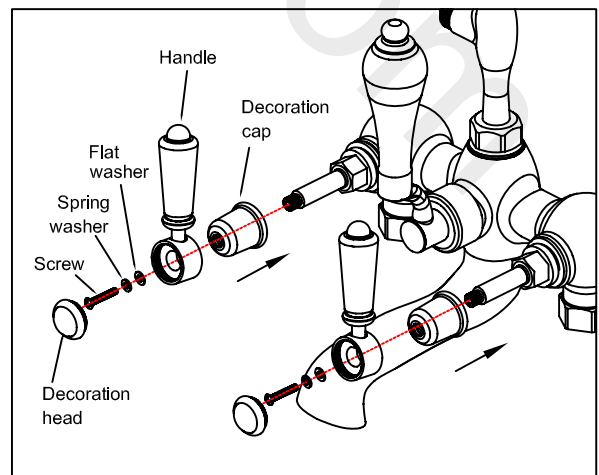
**1: Prepare tools (cross screwdriver, monkey spanner...)
Unscrew the decoration cap.**



2: Screw out the cartridge by Monkey spanner.



**3: Reversed the quarter turn cartridges (red and blue)
and screw in as the above diagram.**



**4: Screw in the decoration cap.
Replace the lever in turn.
The lever position is upwards.**