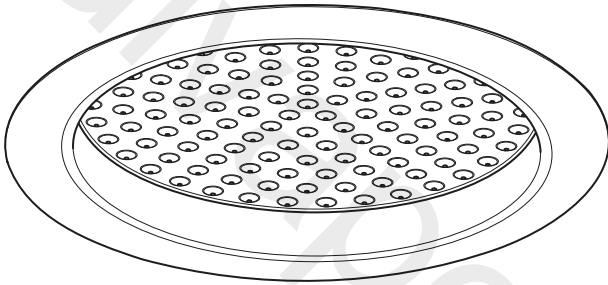


2111 / 4013

# GENERIC CONCEALED 8" CEILING HEADSET

INSTALLATION GUIDE

---



---

LEFROY BROOKS



## IMPORTANT INFORMATION

### Professional installation

We recommend that our products are fitted by a fully qualified professional plumber. They should be installed correctly and in accordance with all local water regulations and the system protected by non-return valves (not supplied). All products should be accessible for routine servicing.

### Suits all systems

This Lefroy Brooks product is potentially suitable for every possible application, type of boiler and water supply pressure. However, if your supply pressure is below 1 bar it is advisable to fit a water pump. For systems with combination boilers, it is not advisable to fit pumps (refer to boiler manufacturer).

### Supply connections

The water supplies should be connected using a suitable G½ (BSP) connector.

### Supply temperature safety notice

To comply with local building regulations, current legislation, relevant standards and codes of practice a thermostatic mixing valve (TMV) should be fitted (not supplied) to the hot supply. This will restrict the temperature to a safe working maximum temperature. Maximum allowed temperatures vary subject to type of installation or specification of building.

The recommended safe temperature is 38 °C.

### Balancing flow

If there is a significant difference in water pressures between hot & cold supplies, we recommend an in-line flow suppressor/regulator (not supplied) be fitted. This should be fitted to whichever has the greater flow rate.

### Water quality

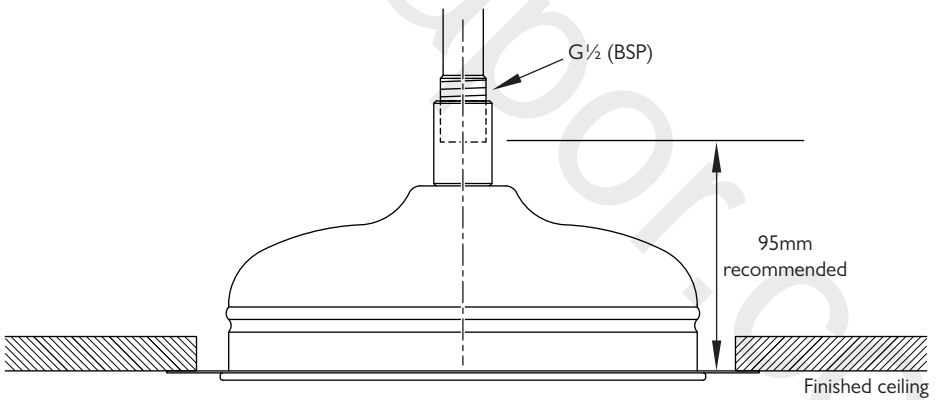
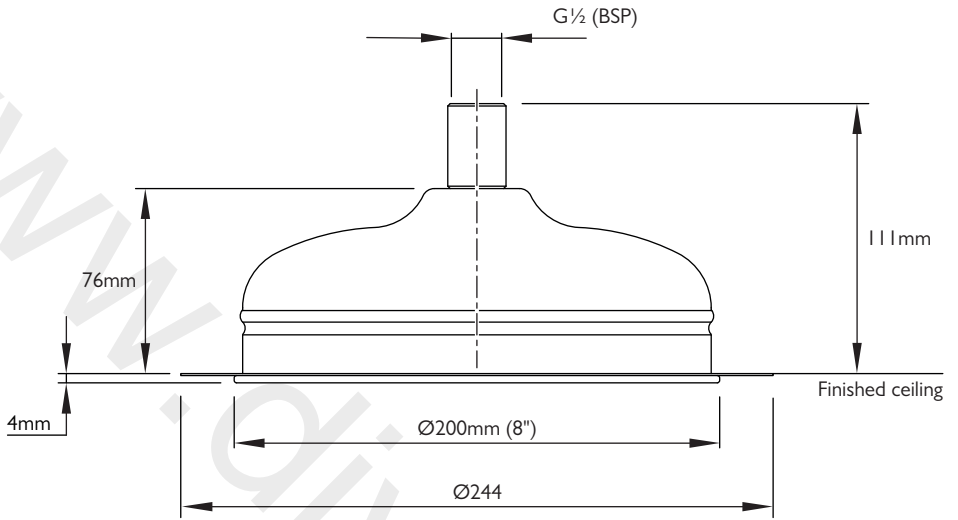
In hard water areas, a suitable water treatment system should be provided to prevent limescale deposits (calcium deposits) which may effect the long term performance of the shower rose. Exterior surfaces should be gently wiped with a dry soft cloth after use to minimise water stains and limescale deposits.

### Flushing system

It is most important to flush out all pipework thoroughly before connecting the product.

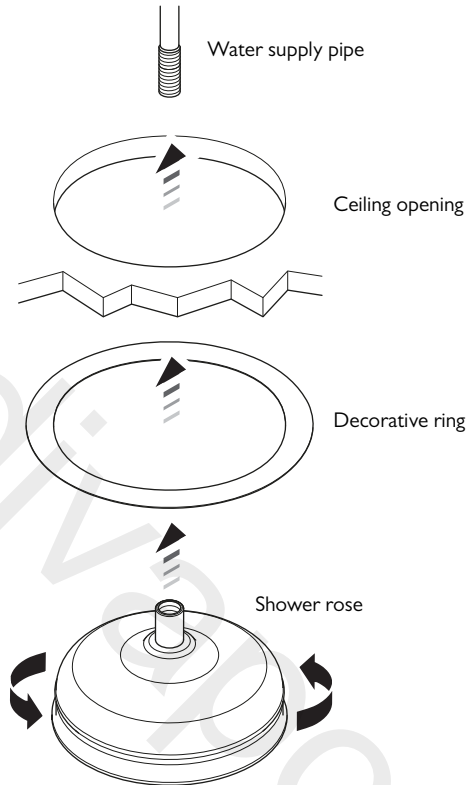
This is the single most common cause of irregular or reduced water flow.

# DIMENSIONS



Not to scale

## INSTALLATION



- 1 Cut a suitably sized hole in the ceiling.
- 2 Position the  $G\frac{1}{2}$  water supply fitting at a suitable distance from the hole in the ceiling to enable the lip of the shower rose and decorative ring to be screwed into place and finish flush with the ceiling. We recommend a distance of approximately 95mm. Please refer to 'dimensions' section.
- 3 Apply suitable sealant to the thread of the water supply fitting.
- 4 Place the decorative ring onto the shower rose.
- 5 Offer the rose and ring up to the water supply fitting and screw into place.
- 6 Turn on the water supply and check joints for leaks.







CONTRACT ENQUIRIES

+44 (0)1992 708 316

[info@lestroybrooks.co.uk](mailto:info@lestroybrooks.co.uk)

CUSTOMER SERVICE, SPARES & TECHNICAL ENQUIRIES

+44 (0)1902 390 894

[technical@lestroybrooks.co.uk](mailto:technical@lestroybrooks.co.uk)

LEFROYBROOKS.CO.UK

---

Whilst every effort is made to ensure the accuracy of these, they are subject to change without notice as part of the company's product development process. The use of trademarks, product design and artwork is subject to licence or agreement with LBIP Ltd. The design registrations, trademark registrations and copyrights are protected by law and the use or reproduction outside the terms of an agreement is prohibited. The right to modify designs and dimensions is reserved. LBIP Ltd is a member of ACID (Anti Copying in Design). E&OE