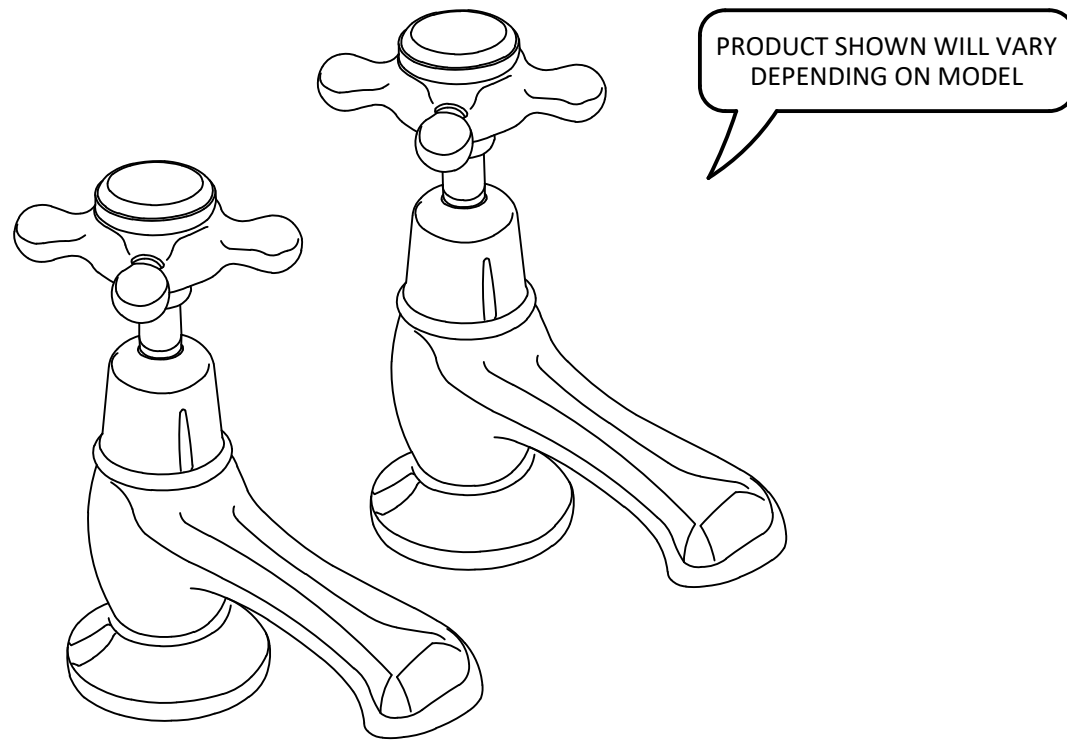


GENERAL FITTING GUIDE for PILLAR TAPS



GUARANTEE & AFTERCARE

When installing or using tools, extra care must be taken to avoid damaging the finish or fitting. To maintain the appearance, please ensure it is cleaned regularly using a clean soft damp cloth only. Abrasive cleaners or detergents must not be used as they may cause surface deterioration. We provide a guarantee against faulty material or manufacture excluding serviceable parts, providing they have been installed, cared for and used in accordance with our instructions.

WATER SUPPLY REGULATIONS

This product has been manufactured to comply with the appropriate BS EN Standards and to conform to Water Supply Regulations 1999.

EARTH BONDING

Earth any new pipework satisfactorily (Seek expert advise if in doubt).

The company reserves the right to continually evolve its product lines without notification. The company will not accept any liability regarding specification changes and their consequences unless previously quoted by the company in writing.

SALES & TECHNICAL



01422 417110

INSTALLATION PROCEDURE

1. Prior to installation please ensure all the supply pipes have been flushed through to remove any debris and then ensure the water supply is turned off.
2. We strongly recommend the fitting of isolation valves to the inlet feeds for ease of future maintenance.
3. Ensure you have all the relevant tools before commencing the installation.
4. Refer to the diagram below and check all the components are present.
5. Carefully assemble new fitting onto sanitary ware in the order indicated below. Do NOT over tighten as this may cause damage to the basin.
6. Connect water supply. The HOT supply should always be connected to the LH side.
7. Ensure tap is in the 'open' mode and turn on water supply. Allow the tap to run for a few minutes to flush out any debris.
8. Check all connections to ensure there are no leaks.

