

LO980CP Sequential Spray Lever Operated Basin Mixer

Operating Conditions

Min Operating Press.	1.0 bar
Max Operating Press.	6.0 bar
Preferred Operating Range	2 to 5 bar
Flowrate (at 1.0 bar)	2.0 l/m
Max Thickness of basin	45 mm

General information

The LO980CP is a single lever sequential spray mixer tap that will provide a spray of water, giving cold to hot with 180 degree of the lever handle via a ceramic disc cartridge.

The mixer tap incorporates a hot water temperature limiting device, which can be used to set the maximum temperature for added safety. This is a mechanical device and is dependant upon stable pressures and temperatures to provide a constant mixed water temperature.

Note: This mixer tap is **NOT** thermostatic and a proprietary temperature control device (TMV) should always be used on the hot water supply to it.

Installation

Your Inta tap must be installed in accordance with the Water Regulations.

All installations should be thoroughly flushed and cleaned to remove any debris that may affect the performance of the tap.

The LO980CP mixer tap is designed for installing into one hole basins with a hole diameter between 35 to 38mm.

Screw the retaining screws (2) into the threaded holes in the base of the body (1) taking care not to over tighten.

Connect the flexible hose for the cold supply with the short tube (8) into the threaded hole, marked blue, on the right side when facing the tap and tighten.

Connect the flexible hose for the hot supply with the longer tube (7) into the threaded hole, marked red, on the left side marked red when facing the tap and tighten.

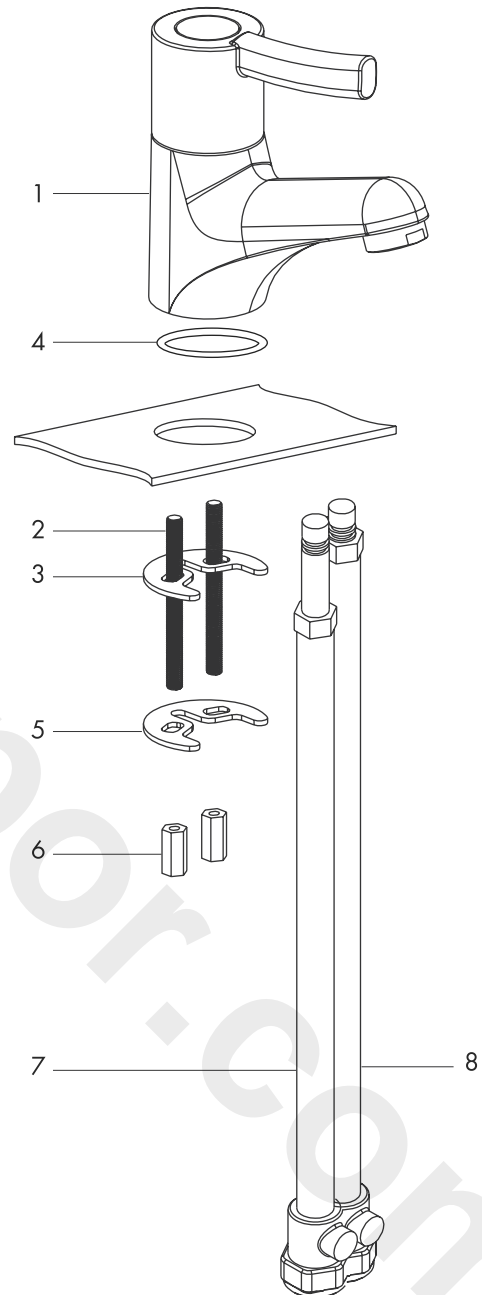
Ensure that the sealing 'O' ring (4) is seated correctly in the recess prior to fitting the tap to the basin.

Once in place, add the rubber gasket (4) and metal washer (5) then secure in position, taking care not to over tighten the retaining nuts (6).

Connect the flexible hoses remembering which (long or short tube) was connected to the hot inlet and ensure all joints are water tight.

For optimum mixing performance where the hot and cold pressures are not equal, regulating valves should be installed directly upstream of the tap so that the water supply pressures can be regulated and equalised.

For multiple installations where there may be starvation of flow to the furthest tap on the supplies. It may be necessary to adjust the maximum flow of each tap to obtain sufficient flow when all the taps are operated simultaneously.



Item	Description
1	Body
2	Retaining screw
3	Rubber gasket
4	'O' ring
5	Metal washer
6	Retaining nut
7	Hot flexible hose
8	Cold flexible hose

Intatec Limited, Airfield Industrial Estate, Hixon, Stafford, ST18 0PF

Tel: 01889 272180 Fax: 01889272181 Email: sales@intatec.co.uk

LO980CP Sequential Spray Lever Operated Basin Mixer

Operating

To operate the tap, turn the lever in the required direction, this will progressively open the cold water port and allow cold water to flow.

If the lever is rotated further anticlockwise this will open the hot water port, whilst partially closing the cold water port, giving a mixed water temperature flow.

If the lever is rotated further anticlockwise the cold water port will close fully and the hot water port will fully open. This will allow the maximum hot water temperature to be obtained.

Further rotation of the lever is prevented by the temperature limiter.

The mixed water temperature can be altered to give the required temperature by following the commissioning instructions.

Commissioning

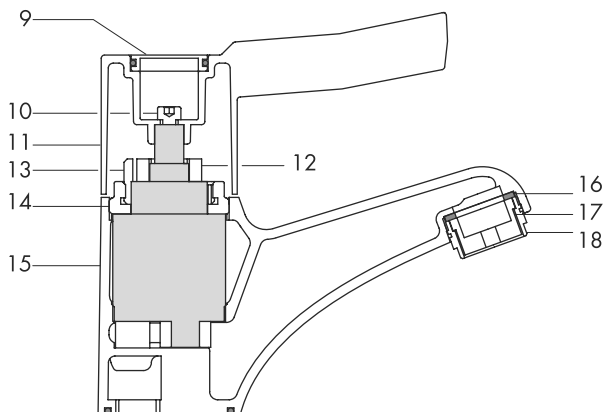
Commissioning the temperature should be carried out using a suitably calibrated and accurate thermometer.

When commissioning please take into account any fluctuations in the water supply due to simultaneous demands.

To test the mixed water outlet temperature ensure that the tap is in the fully open position and that normal working flow conditions are established before the temperature is measured.

The tap has been factory set and should not require any adjustment.

If required the mixed water outlet can be easily adjusted by removing the cover (9), unscrewing the lever retaining screw (10).



Item	Description	Item	Descriptor
9	Cover	14	Cartridge retainer
10	Lever retaining screw	15	Cartridge
11	Lever	16	Rubber washer
12	Temperature limiter	17	Nozzle
13	Stem bush	18	Nozzle retainer

Move the lever (11) to the required maximum mixed water temperature position, and lifted from the tap. Ensure that the temperature limiter (12) is not removed as this will alter the temperature setting.

Remove the temperature limiter (12) from the stem bush (13) and replace on the stem bush ensuring that it will not rotate any further passed the required position.

After the temperature limiter (12) has been fitted, ensure the mixed water temperature has not altered from the desired setting.

Re-fit the lever, the tap is now ready for use.

Servicing Instructions

The tap should be periodically serviced to maintain optimum performance.

Remove the cover (9), lever (11), temperature limiter (12) and stem bush (13) and using a suitably sized spanner, rotate the cartridge retainer (14) anticlockwise and remove.

The internal cartridge (15) can be pulled from the body. **Do not attempt to dismantle any part of the cartridge**, if necessary replace with a new cartridge.

Remove any debris that may have collected within the body and ensure that the stem on the cartridge rotates freely.

Reassemble the cartridge (15) into the body using washing-up liquid as a lubricant if necessary to ease assembly and prevent damage to the 'O' ring seal.

Re assemble in the reverse order

Re-commission to the desired mixed water temperature as described previously.

Aftercare .

The nozzle should be cleaned periodically to remove any build up of debris or deposits which may affect the performance of the tap.

Ensure that a suitably sized spanner is used to remove the nozzle retainer (18). With all highly polished items care should be taken not to damage the surfaces.

Inta mixers have a high quality finish and should be treated with care. An occasional wipe with a mild washing-up liquid on a soft damp cloth followed by a thorough rinsing is all that is required.

Do not use an **abrasive** or **chemical household cleaner** as this may **cause damage** .