

MALP 1HBF CR

ALP Tap Range
Metallix Alp 1 Hole Bath
Filler Copper Radiance



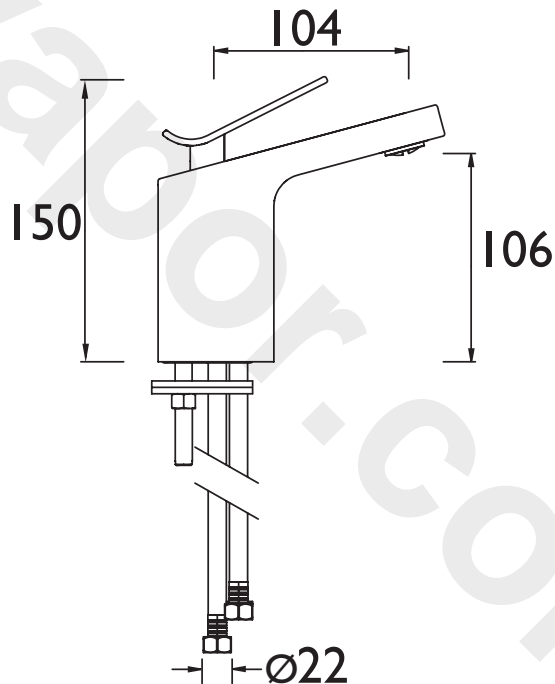
Features:

- Brass construction
- 45mm cartridge

Specification

Style:	Contemporary
Product Type:	Bathroom Taps
Finish/Colour:	Chrome/Copper Radiance
Main Construction Material:	Brass
Mount Type:	Deck Mounted
Handle Type:	Lever
Connection Inlet:	M16 x 22mm compression
Connection Outlet:	N/A
Number of Tap Holes:	1
Valve/Cartridge Type:	Manual
Plumbing System Requirements:	All Plumbing Systems
Working Pressure Range:	Min. 0.3 bar, Max. 5.0 bar
Maximum Hot Water Temperature: °C	65
Maximum Dynamic Pressure: (bar)	5
Maximum Static Pressure: (bar)	10
Flow Type:	Single

Dimensions (measurements in mm)



For more products, visit our website:
<http://www.bristan.com>



Flow Rates (l/min)

System Pressure (bar)	0.5	1	2	3	5
MALP 1HBF CR	19.6	28.3	39.5	48.4	62.4

TECHNICAL
DATA
SHEET



BRISTAN
TAPS & SHOWERS

D1