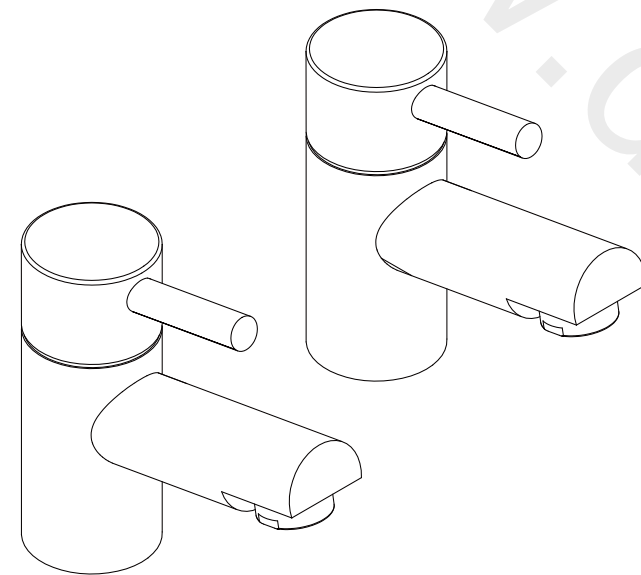
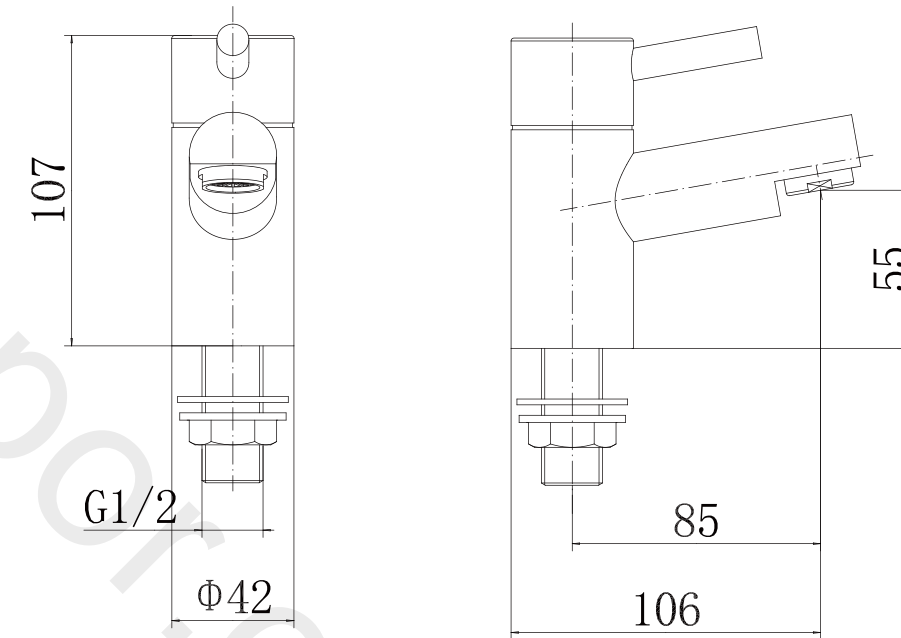


TAP43B
Eden Basin Pillar Taps



TAP43B
Eden Basin Pillar Taps



Installation and Maintenance Instructions

REMOVING OLD TAPS OR MIXER

1. A spanner may be required.
2. Ensure mains water supply is turned off at the stopcock or service valves.
3. After disconnecting the water supply, drain the pipework.
4. Unscrew the nuts connecting the water pipes to the fittings.
5. Unscrew Tap Clamp and remove taps.



FITTING YOUR NEW MIXER

Fitting your new mixer is easy when you follow these simple step-by-step instructions. Please note tail pipes are supplied as flexible tails. Studs and nuts may vary in number and position depending on range.

1. Identify all components.
2. Prior to installation flush out pipework to remove debris.
3. Screw stud into base of mixer and slide horseshoe washer and plate over it. Secure with supplied nut. Do not overtighten as it could damage the bath.
4. Connect the two tail pipes to the hot and cold water supplies.

This product should be fitted in accordance with Water Bylaw Regulations. Check valves should be fitted where necessary.

AFTERCARE INSTRUCTIONS

Whilst modern plating techniques are used in the manufacture of this item, the surfaces will wear if cleaned incorrectly. Clean this product with a soft cloth and clean water. The use of any abrasive material will invalidate the guarantee.