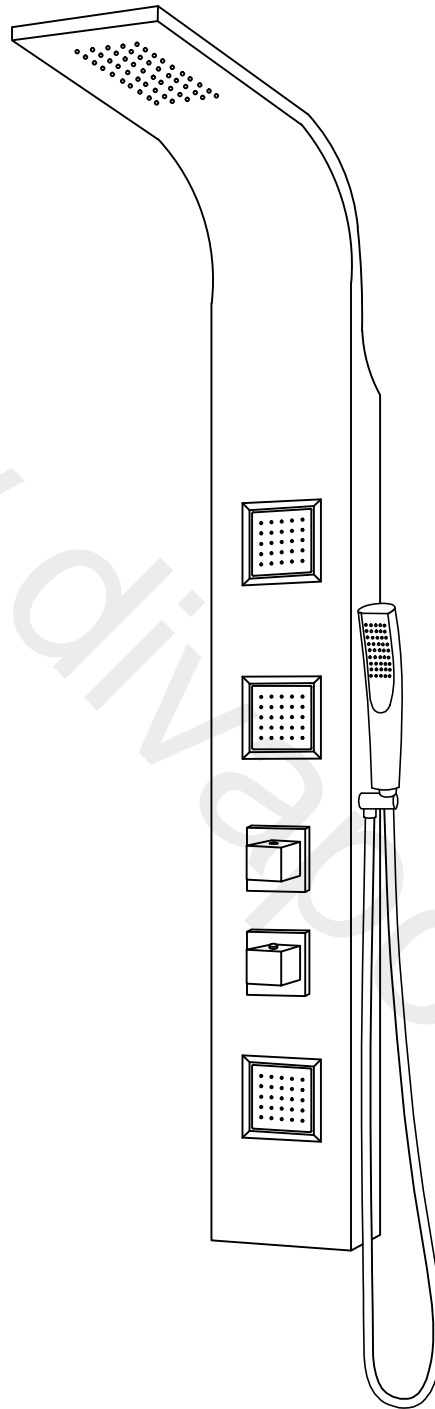


# Installation Guide



**Product Code: HL-BSP003**

# Installation Guide

## Pre Installation Notes

**This product is to be fitted by a qualified professional to British standard.**

This mixing valve is suitable for unvented systems, combination boilers, pumped & mega-flow systems and vented systems of equal pressures. Make sure the shower valve is off when installing the shower.

When the room temperature drops below 0°C, take necessary measures such as keeping the shower valve warm and closing windows. To prevent the shower valve from being frozen or broken.

Do not disassemble the valve unless you are an expert.

Make sure that the pressure of water, hot & cold, is balanced. This ensures the best operation for the mixer.

## Working Pressure & Temperatures

Optimal pressure: 0.5-5 bar.

The supply of Cold water temperature: 4-29°C, the supply of hot water temperature 55-58°C.

To avoid the differential pressure between hot water and cold water, the thermostatic cartridge is preferably under the condition of water pressure 3 bar, hot water 65°C and cold water 15°C.

Top shower

Jets

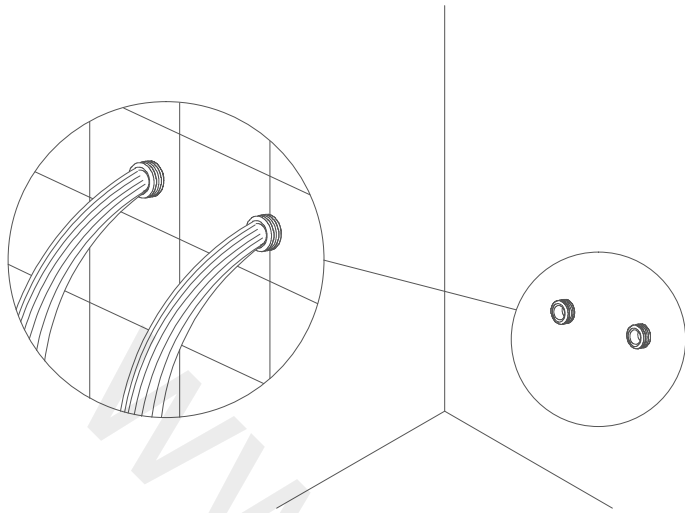
Diverter faucet

Thermostat

Hand shower

Holder

1.5m Shower hose

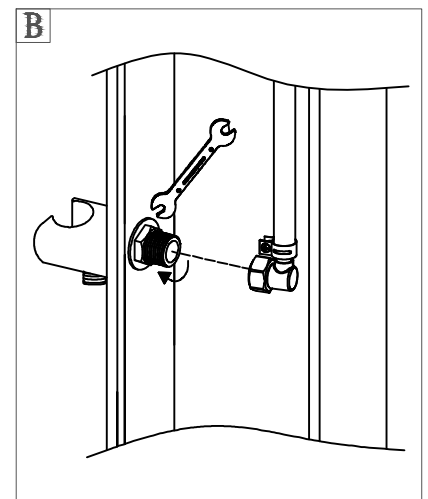
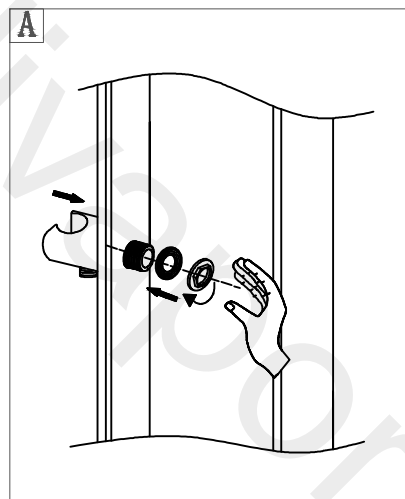


## Note!

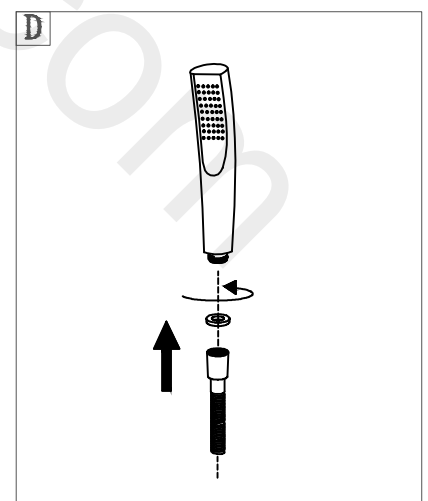
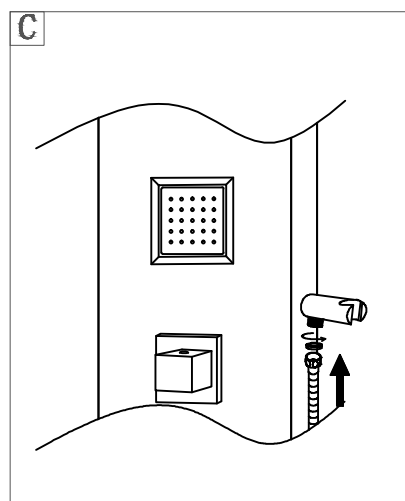
Before assembly, flush the water supply pipes thoroughly to remove debris (allow the water to run with the main stopcock open for about 3 mins), otherwise dirt particles might affect the function of the shower panel!

## Step One

1. Install the shower holder on the panel, connect the white connection at back with a rubber gasket to the shower holder.

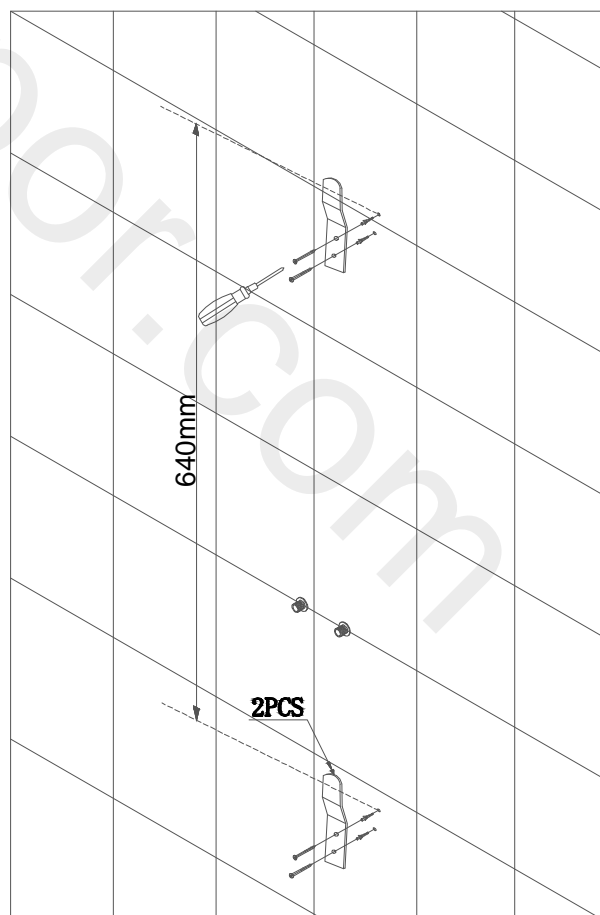
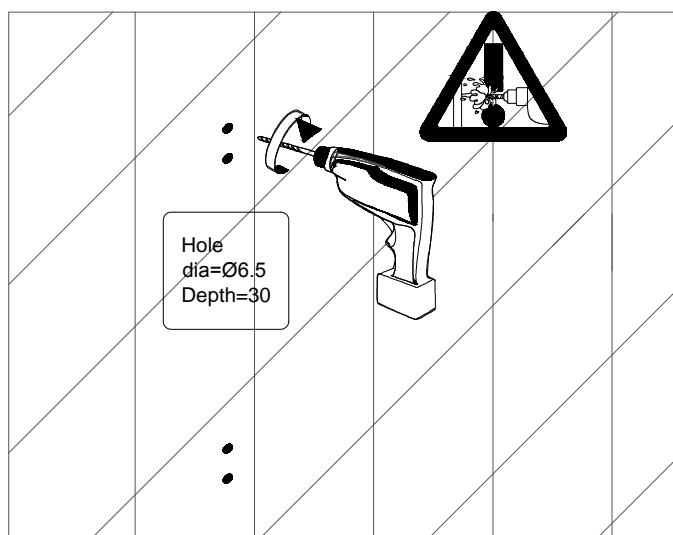
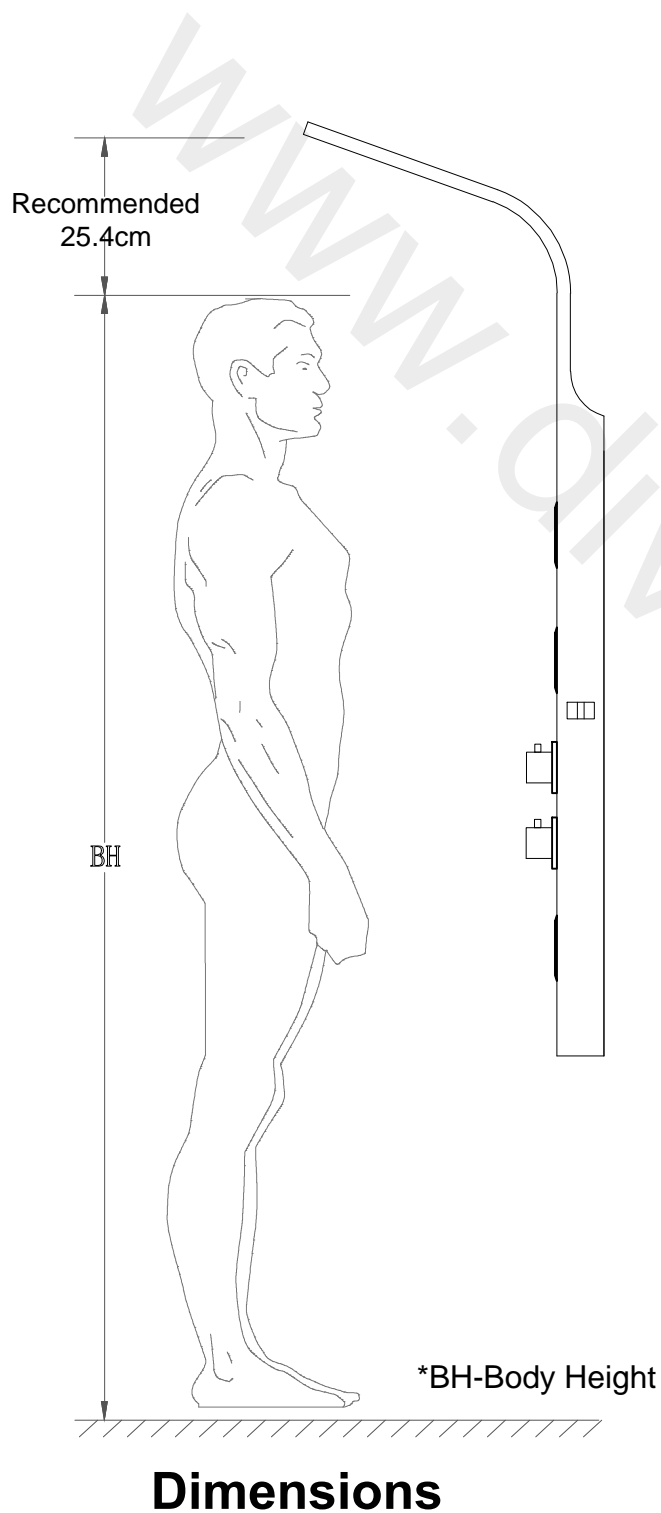


2. Connect the shower hose with rubber gaskets to the hand shower and shower holder.



## Step Two

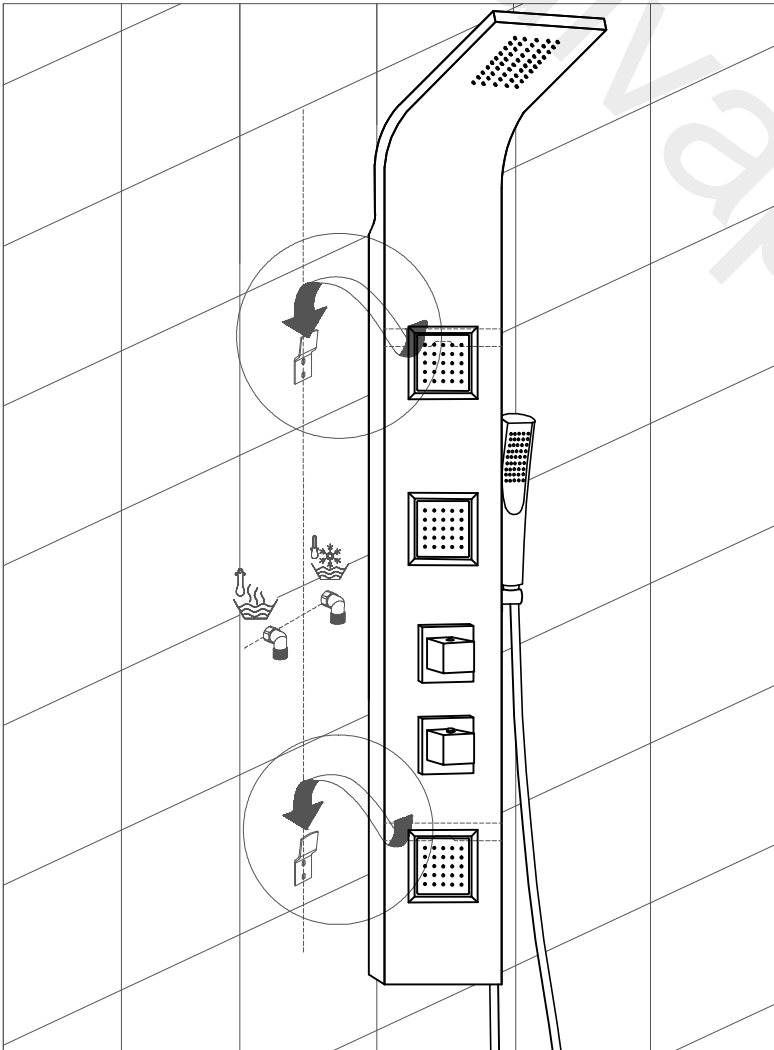
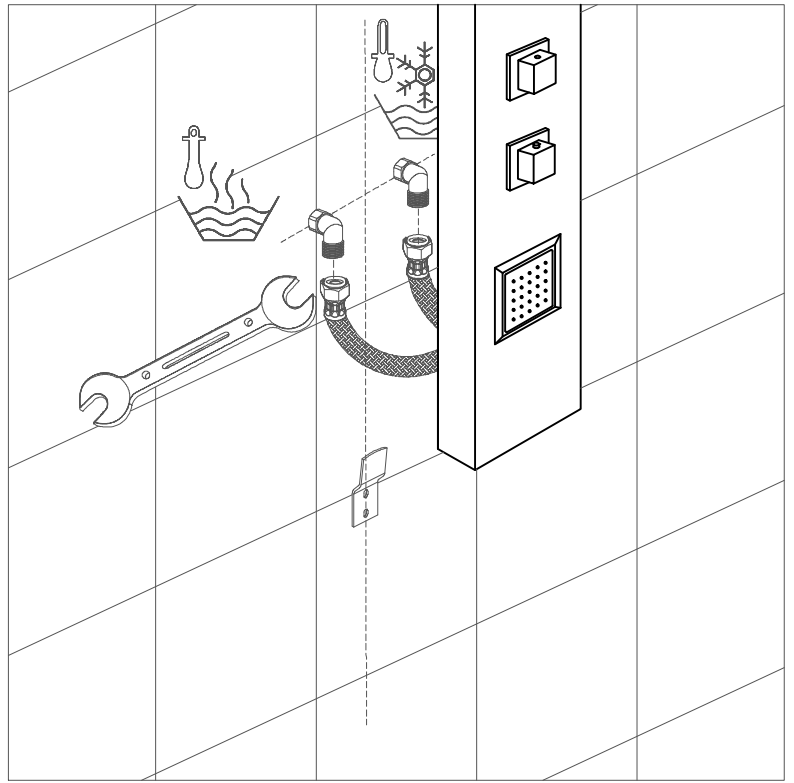
1. Calculate the height of the shower, and mark the hanging strip position on the wall.
2. Drill the holes for the wall mounted parts, insert the wall plugs and fix the wall mounted parts with screws.



## Step Three

Connect the two water supply hoses to the water outlet with hand first, then fasten them with wrench.

**Notice:** Red hose for hot water and Blue hose for cold water.



## Step Four

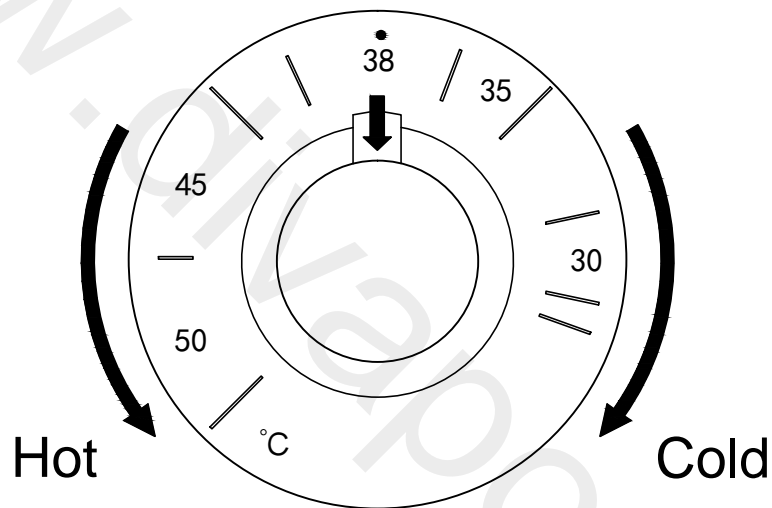
Hang the shower on the wall.

**Notice:** Ensure the two inlet hoses are not kinked.

## Step Five

Open the hot and cold water, test the shower with temperature setting at 30 °C, 38 °C, 50 °C.

**Notice:** To increase the temperature past 38 °C, press the button on the temperature handle and turn anti-clockwise.



www.victorianplumbing.co.uk

