



## Bath Shower Mixer 4 Hole With Kit

MBFW440D

This product should only be fitted by a qualified plumber to NVQ (National Vocational Qualification) or SNVQ (Scottish National Vocational Qualification) Level 3. Should the installation be completed by a non-qualified person then the guarantee may be considered invalid.

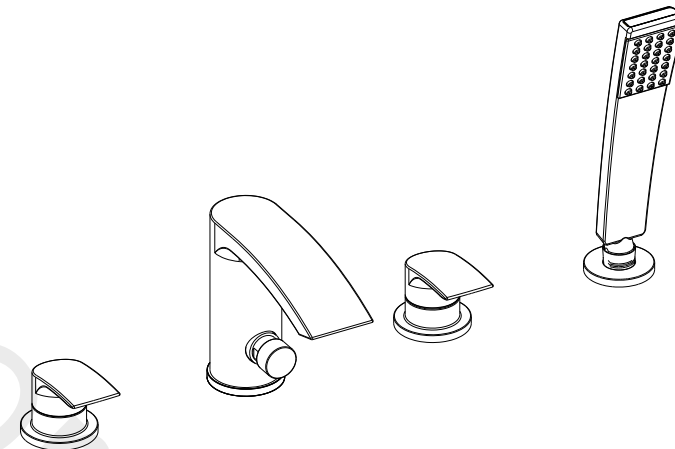
For a claim made under our warranty written certification of your installers credentials can be required. For further information or to find a qualified installer in your area please visit the Institute of Plumbers website - [www.iphe.org.uk](http://www.iphe.org.uk)

### THE QUALIFICATIONS

At present, to be a plumber you need to follow the National Vocational Qualification (NVQ) route (Scottish National Vocational Qualification - SNVQ - in Scotland). These qualifications are made up of theory and practical work in the classroom/purpose built training facility and work based experience with a working plumber. Colleges should help students find a work placement, although many students organise it themselves.

The S/NVQ qualification works in levels. All recently qualified plumbers should hold S/NVQ Level 2 as basic with Level 3 as the preferred level. Level 2 will give you the foundation you need for a career in plumbing and teach you domestic plumbing to a satisfactory level. Level 3 is more comprehensive and deals with domestic, commercial and industrial plumbing along with aspects such as gas - if you want to one day set up your own business, this is the level to reach. The Institute of Plumbing and Heating Engineering, and the industry as a whole recommends that all plumbers reach a minimum of Level 3.

Reaching Level 3 has other advantages. The Institute runs a Master Plumber Certificate, which only those attaining Level 3 or equivalent can reach as long as they have the relevant experience as well. Those with S/NVQ Level 3 can (once in membership with the Institute for five years as a Member MIPHE) gain Engineering Technician EngTech status with the Engineering Council (UK).



For any further information please email [technical@adora-bathrooms.co.uk](mailto:technical@adora-bathrooms.co.uk)

Or visit our web-site at [www.adora-bathrooms.co.uk](http://www.adora-bathrooms.co.uk)

The manufacturer reserves the right to make technical modifications without prior notice.

### INSTALLATION INSTRUCTIONS



## INSTRUCTION

Please read these instructions carefully and keep in a safe place for further reference.

**General Installation Requirement**

The installation must comply with regulations of the Local Water Authority as contained in their bylaws. All of the taps in this range are single flow (the hot and cold water mix in the body) and therefore should be supplied with hot and cold water at balanced pressures. If the taps are not supplied balanced pressures then the mixer will not function correctly. It will also be necessary to fit non-return valves on both the hot and cold feeds. It is very important that all pipework is flushed thoroughly after installation to avoid damaging the ceramic discs.

**Minimum/Maximum working pressure**

These taps are only suitable for high pressure installations. They are fitted with a quarter turn ceramic disc headwork which provides a smooth movement. The minimum work pressure is 1bar. The maximum work pressure is 5bar. If the mains pressure is over 5bar, a pressure reducing valve should be fitted.

**Approvals**

All taps are manufactured using materials tested and approved under the Water Bylaws Scheme and comply with requirements of European standard EN200 where applicable.

**Preparations and bylaw requirements**

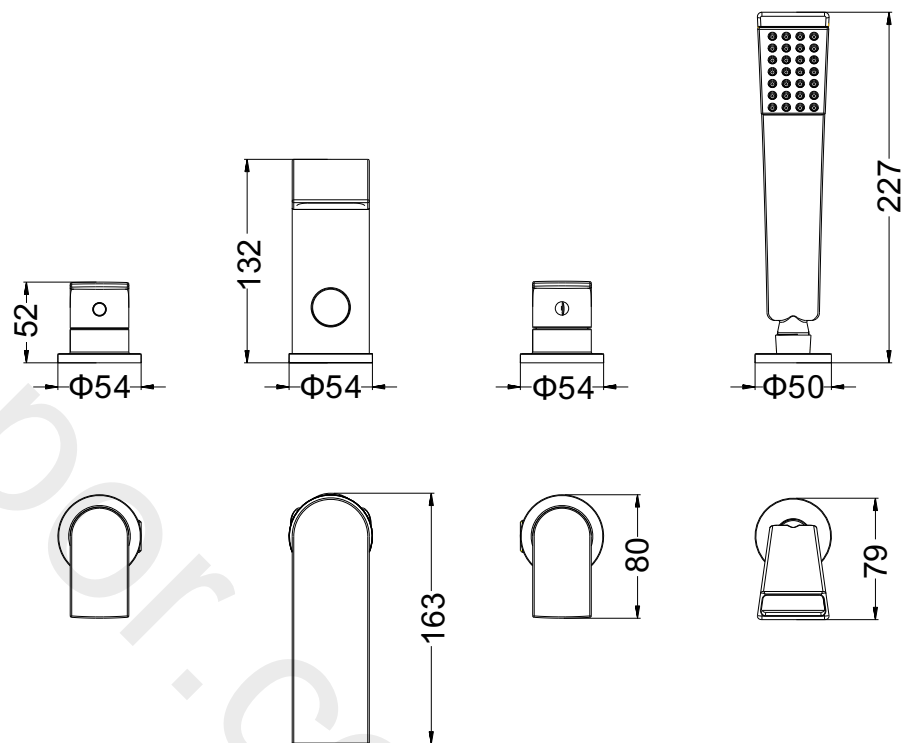
These taps are single flow so the hot and cold water mix in the body. Water Bylaws require that where hot water is supplied from tank and cold from mains, non return valves are fitted on both hot and cold pipes as close as possible to the tap. These are not supplied. Where combination boilers are fitted, it is only necessary to shut off the incoming mains and turn the boiler off and non return valves are not required.

**Warning**

**Before installing the new mixer, it is essential that you thoroughly flush through the supply pipes in order to remove any remaining swarf, solder or other impurities. Failure to carry out this simple procedure could cause problems or damage to the working of the mixer.**

These hints are prepared in your guidance; you must exercise due care at all times. We do not accept responsibility for any problems that may occur through incorrect installation.

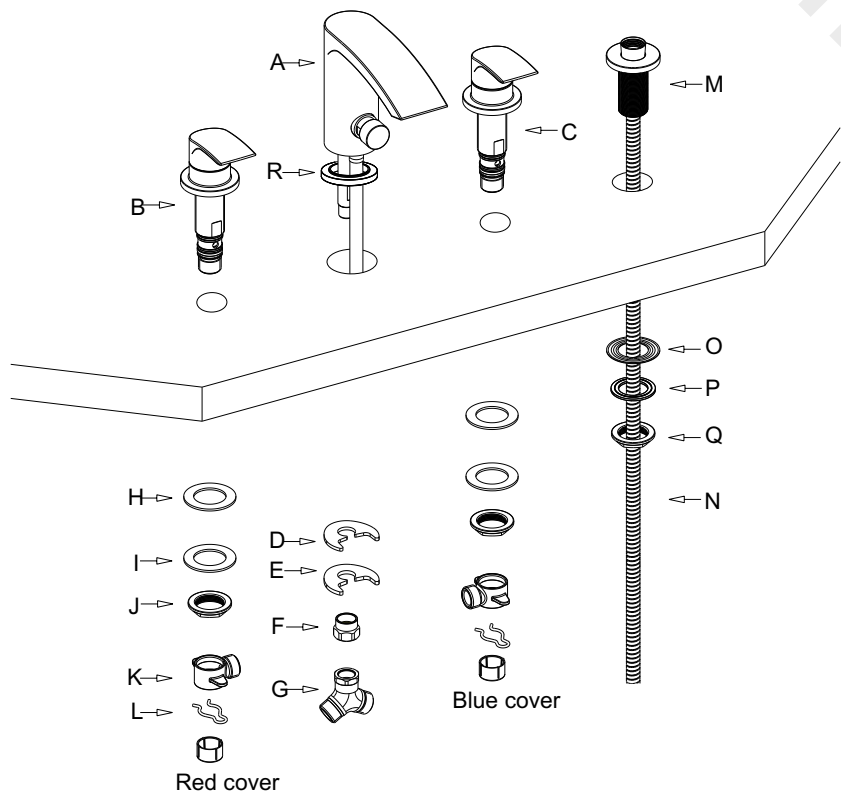
## DIMENSIONS



**NOTE: ALL DIMENSIONS IN MILLIMETRES**

## INSTALLATION

A	Spout assembly	G	Tee connector	M	Shower holder
B	Hot control valve	H	Rubber washer	N	Shower hose
C	Cold control valve	I	Metal washer	O	Rubber washer
D	C-shaped rubber washer	J	Nut	P	Metal washer
E	C-shaped metal washer	K	Connector	Q	Nut
F	Nut	L	Clip	R	Base ring



## INSTALLATION

First shut off your water heating system, then with your mains stop cock closed, open the lowest cold and hot taps in the house and allow to run until the cold storage tank and pipes are empty (the hot storage cylinder always remains full).  
Fitting isolating valve to inlet feeds is recommended for ease of maintenance.

## INSTALLATION

**Note: Remember to turn off mains water supply before connecting to any existing pipe work.**

The traditional layout is as illustrated on page 3, but may vary. Please note:  
-The hot and cold control valves will always be either side of spout and hot control valve will always be on the left.  
-Shower holder assembly can be positioned either left or right.  
Once the layout is established, follow the steps below.

**-Install spout assembly**

Remove the tee connector (G), nut (F), C-shaped metal washer and rubber washer (E and D) from spout tails. Then place the spout assembly (A) through bath with the base ring (R) under its base and tails through hole. Slide the C-shaped rubber washer (D) followed by the metal washer (E) over the spout tails and then screw the nut (F) to hand tighten. Refit the tee connector (G).

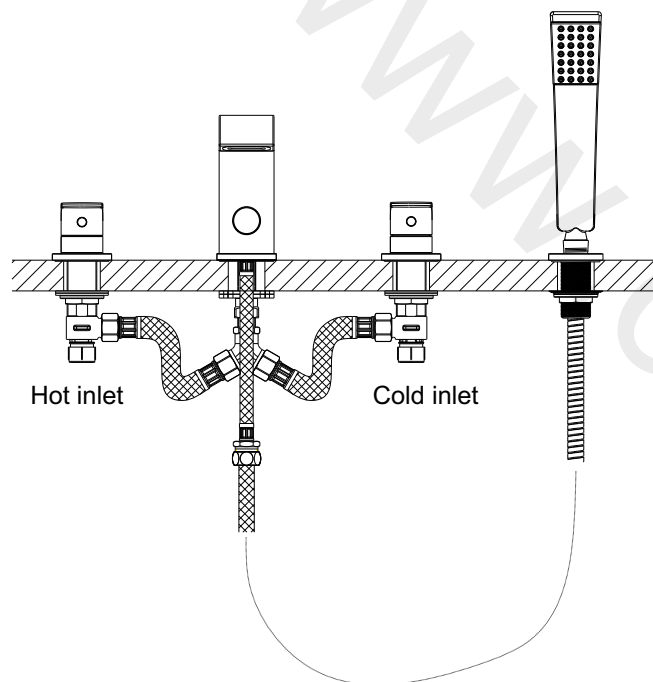
**-Install hot/cold control valve**

Remove the clip (L), connector (K), nut (J), metal washer (I) and rubber washer (H) from the hot control valve. Then place it on the bath inserting tail through hole. Slide the rubber washer (H) followed by the metal washer (I) over its tail and then screw the nut (J) to hand tighten. Slide the connector (K) over valve tail and then fit the clip (L) to tighten. Follow the same way to fit the cold control valve.

**-Install shower holder assembly**

Remove the nut (Q), metal washer (P) and rubber washer (O) from the tail of shower holder (M). Place the shower holder on the bath with its tail and the shower hose (N) through hole. Slide the rubber washer (O) on the tail of the shower holder followed by the metal washer (P) and then screw the nut (Q) to hand tighten.

## INSTALLATION



Connect the tee connector and the hot/cold control valves using braided hoses. Connect one end of the shower hose to the flexible tail of spout assembly and the other end to the shower, ensuring a washer is in. Adjust all parts in their position and then tighten all connections. Connect water supplies and the hot/cold control valve. Check for any leaks.

**ATTENTION**

Having first checked all new connections, turn on the mains stop cock, close all taps except the new mixer and as system starts to refill, check for leaks. Once you have satisfied yourself that there are no leaks, switch on the water heating.

**Operations**

Push in diverter to operate the shower and it can be locked by turning an angle.

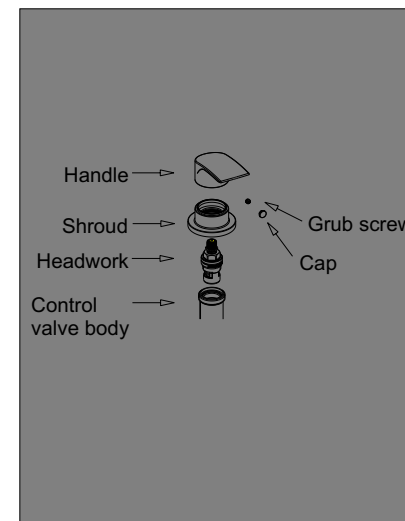
## MAINTENANCE

**Cleaning the headwork**

The concealed headwork should give trouble free service, but in the event of any problem, service is straight forward.

**To remove the headwork**

Pull off the cap and then use a hex key (not supplied) to loosen the grub screw, but do not remove it. Remove the shroud. Loosen the headwork using an adjustable spanner (not supplied). Take the headwork out and wash it with clean running water. Make sure any trapped debris has been removed. Dry and lightly grease the seal (only use silicone grease). Refit the headwork followed by the shroud and handle.



## CLEANING

The chrome plate we use on our taps is very durable, nevertheless care should be taken when cleaning. It should be cleaned only with warm soapy water followed by rinsing with clean water and drying with a soft cloth. All finishes are vulnerable to acid attack and some strong substances such as household cleaners, disinfectants, denture cleaners, hair dyes, wine making and photographic chemicals can cause surface to go black or peel.