

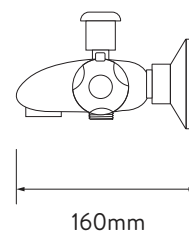
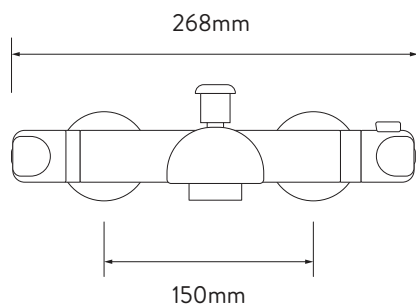
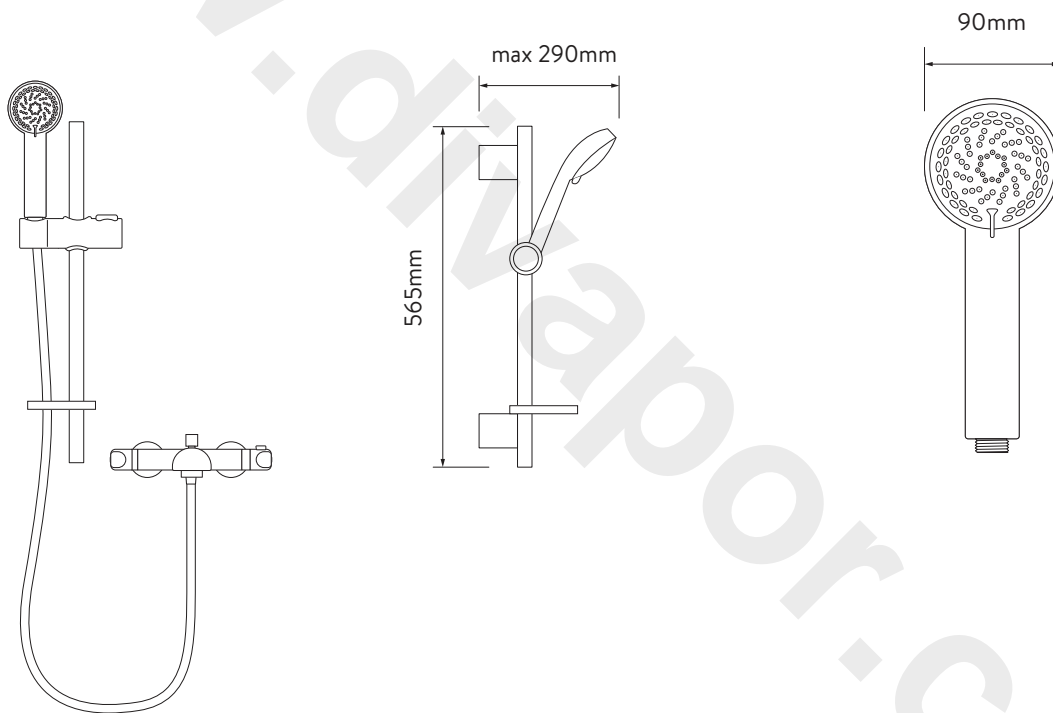
# AQUALISA

MD100BSM

## MIDAS™ 100 BATH MIXER SHOWER

WITH ADJUSTABLE HEAD - HP/COMBI

### DIMENSIONAL DRAWINGS



150mm Wall Mounted  
180mm Bath Mounted

# AQUALISA

MD100BSM

# MIDAS™ 100 BATH MIXER SHOWER

## WITH ADJUSTABLE HEAD - HP/COMBI

### TECHNICAL SPECIFICATION

MINIMUM PRESSURE REQUIREMENTS	1 bar
MAXIMUM PRESSURE REQUIREMENTS	10 bar
INLET FITTING CONNECTIONS	3/4" BSP
INLET SUPPLY POSITIONS	Hot/left, cold/right (as viewed from front)
OUTLET CONNECTIONS	1/2" BSP
VALVE INLET CENTRES	150mm for wall mounted / 180mm for bath mounted
SUPPLY TEMPERATURE	5 - 20°C Cold Supply 55 - 65°C Hot Supply
MATERIALS	Valve body - Brass Valve on/off / flow control knob, valve temperature control knob - ABS
	Boosted gravity Combi and balanced High Pressure systems
FEATURES	4 spray patterns
COLOUR	Chrome
APPROVALS	WRAS
GUARANTEE PERIOD	Valve - 5 years Shower head and kit - 2 years